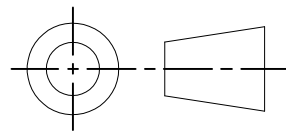


DRG.No. 1491-202-HF
 USED ON
 -

CLARKE INSTRUMENTS LIMITED
 RESERVE THE RIGHT TO MODIFY
 THE DESIGN WITHOUT NOTICE

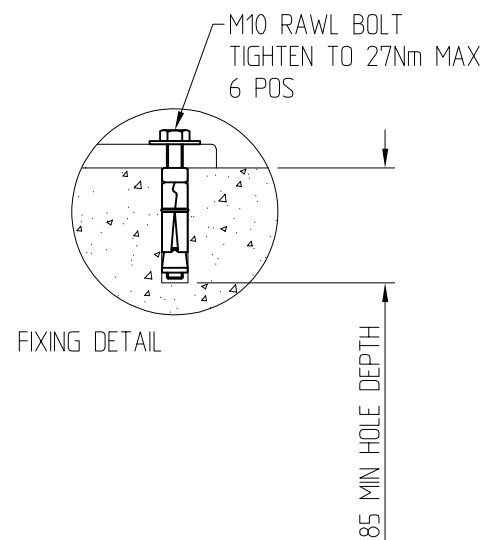
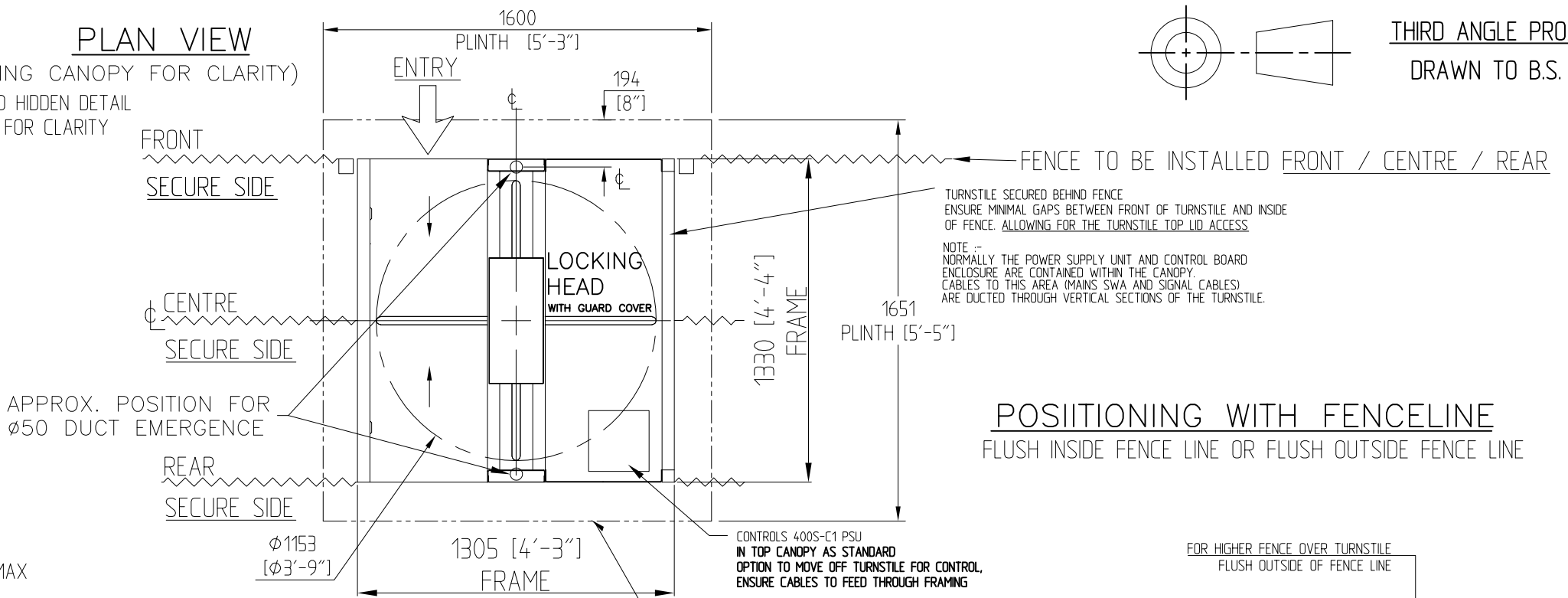
(OMITTING CANOPY FOR CLARITY)
 SELECTED HIDDEN DETAIL
 OMITTED FOR CLARITY



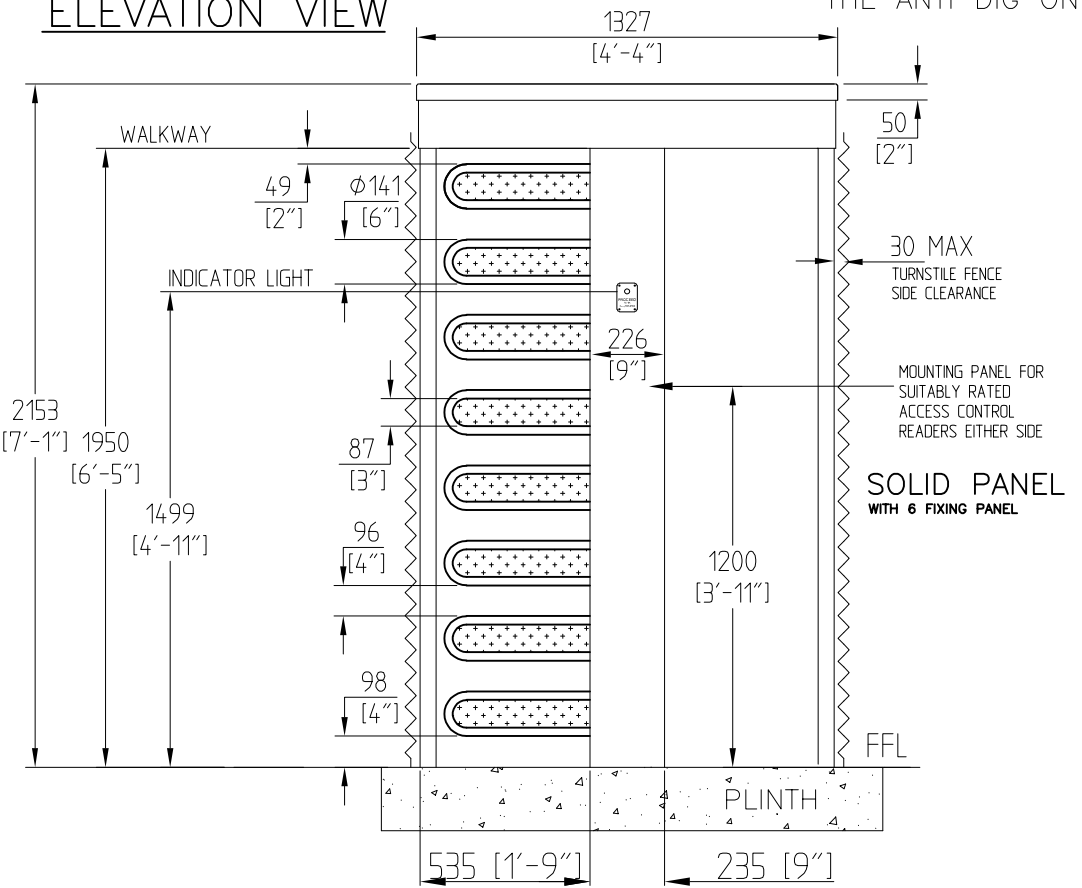
THIRD ANGLE PROJECTION
 DRAWN TO B.S. 8888

DESIGN RIGHTS
 INTELLECTUAL PROPERTY OF CLARKE INSTRUMENTS LIMITED
 COPYRIGHT. © NOT TO BE COPIED WITHOUT PERMISSION
 WARNING - SOME CIL PRODUCTS ARE ALSO THE
 SUBJECT OF PATENT PROTECTION

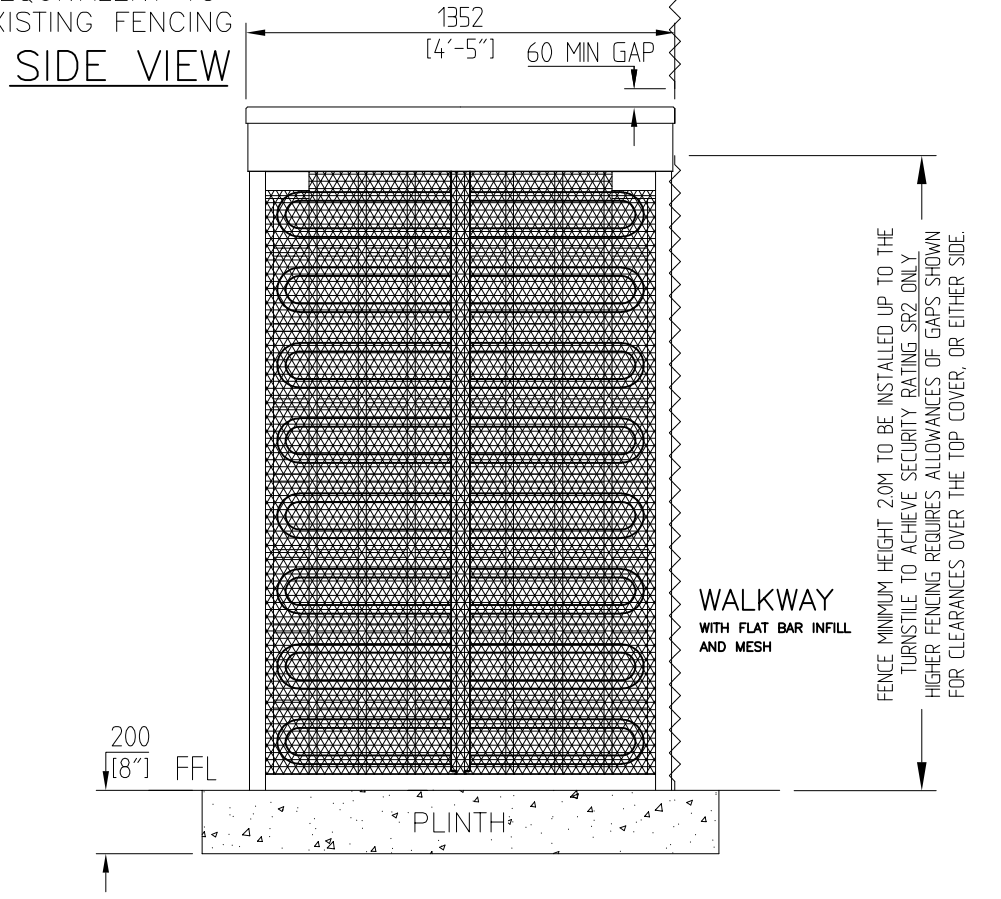
PLAN VIEW



ELEVATION VIEW



SIDE VIEW



NOTE:
 THIS DESIGN LAYOUT HAS TIGHT GAPS BETWEEN ROTOR ARMS
 AND IS BASED ON THE REQUIREMENTS FOR SECURITY FENCELINE TURNSTILES.

FAIL LOCKED ONLY WITH ENERGISED FREE SPIN AVAILABLE

			PROTECTIVE FINISH -	MATERIAL -	<h1>Clarke Instruments Ltd.</h1>	
			TOLERANCES FOR DIMENSIONS DIMS. SHOWN THUS >449 ±1 DIMS. SHOWN THUS 1. ±0.4 DIMS. SHOWN THUS 1.0 ±0.15 DIMS. SHOWN THUS 1.00 ±0.05 UNLESS OTHERWISE STATED ALL DIMENSIONS IN MILLIMETRES	STORES REF. BASED ON 491 - 430 STYLES		
2	18.08.18	CONTROL BOX POSITION CLARIFIED	<h2>SINGLE FULL HEIGHT SECURITY TURNSTILE SR2</h2>			DRG.No.
1	10.04.18	PROD.ISSUE				<h3>SINGLE FULL HEIGHT SECURITY T/S WITH 'HOOPED BAR FILLED' ROTOR PADDLES</h3>
ISSUE	DATE	CHANGE NOTE				<h1>1491-202-HF</h1>
DRAWN	MDK	CHECKED	CERTD.	SCALE	N.T.S.	