

DRG.No. 1491-201-S

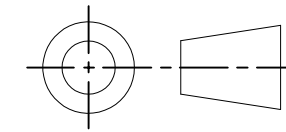
CLARKE INSTRUMENTS LIMITED
RESERVE THE RIGHT TO MODIFY
THE DESIGN WITHOUT NOTICE

USED ON

DESIGN RIGHTS

INTELLECTUAL PROPERTY OF CLARKE INSTRUMENTS LIMITED
COPYRIGHT. © NOT TO BE COPIED WITHOUT PERMISSION

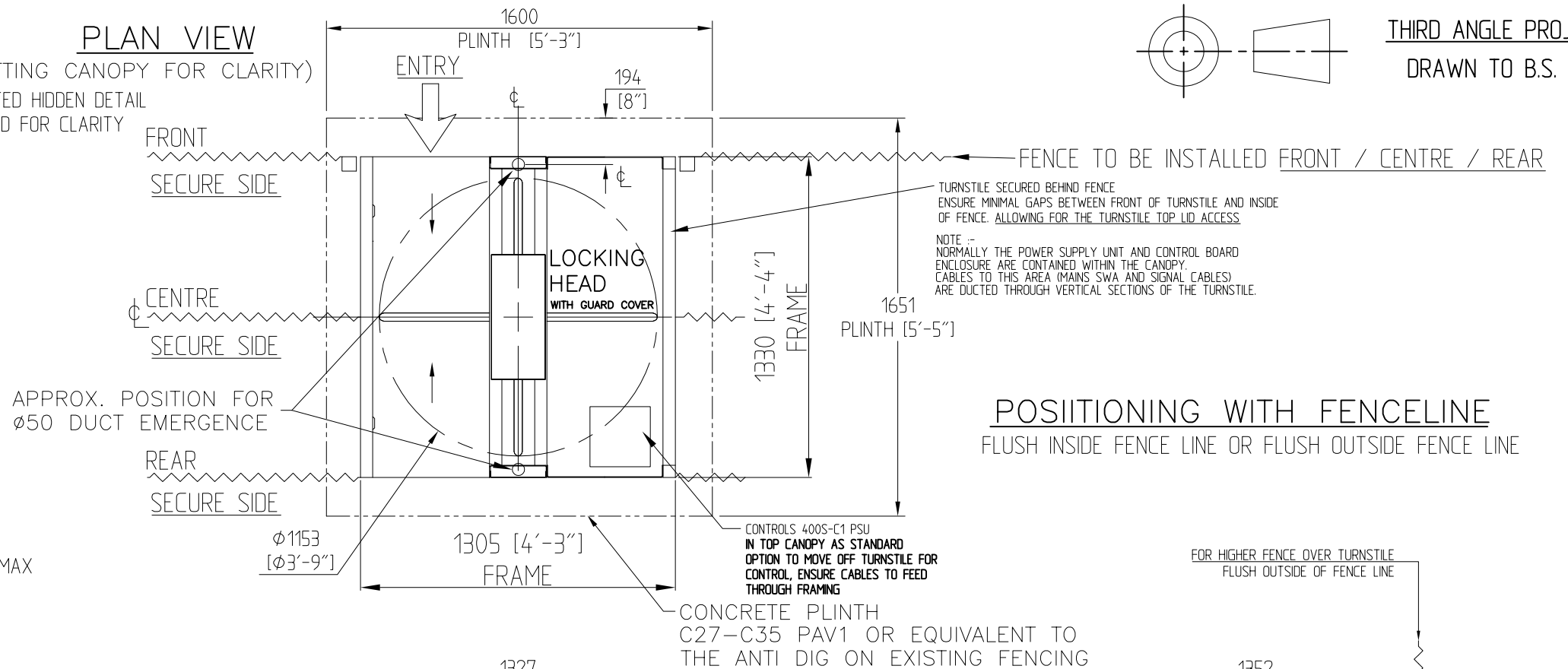
WARNING - SOME CIL PRODUCTS ARE ALSO THE
SUBJECT OF PATENT PROTECTION



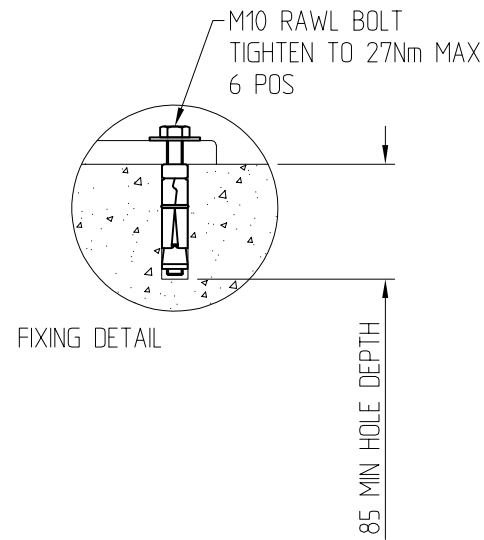
THIRD ANGLE PROJECTION

DRAWN TO B.S. 8888

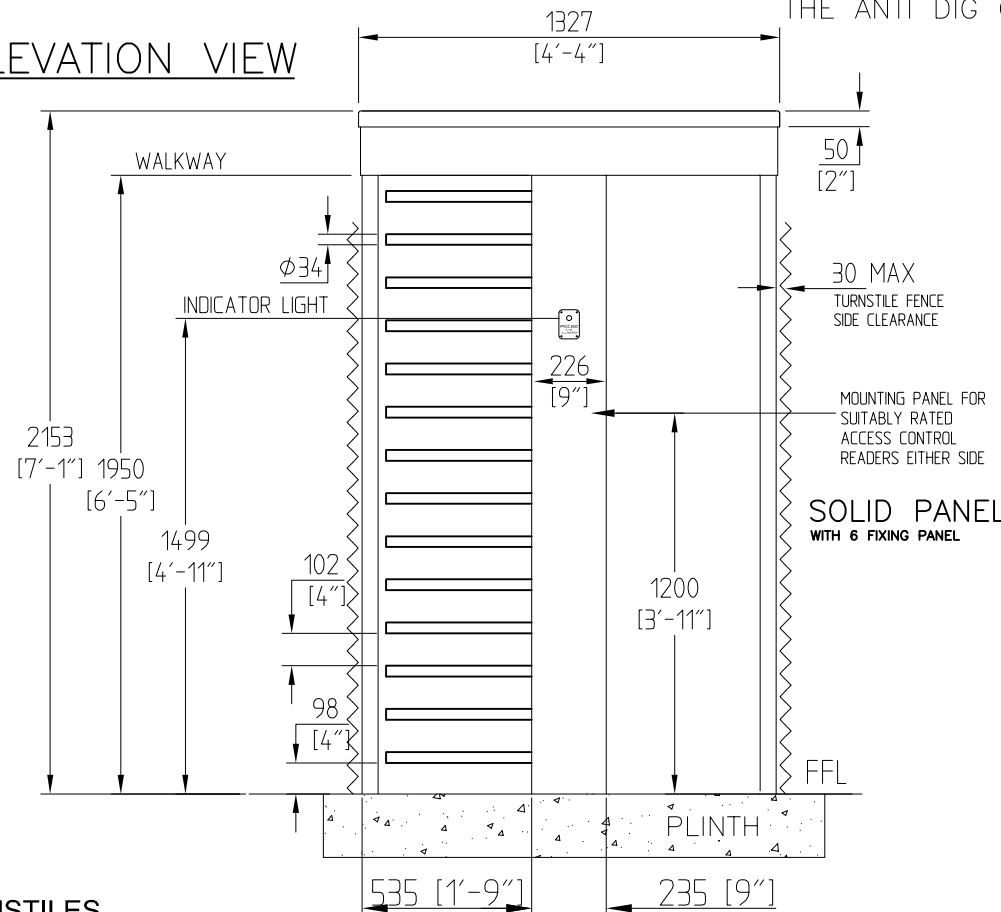
PLAN VIEW
(OMITTING CANOPY FOR CLARITY)
SELECTED HIDDEN DETAIL
OMITTED FOR CLARITY



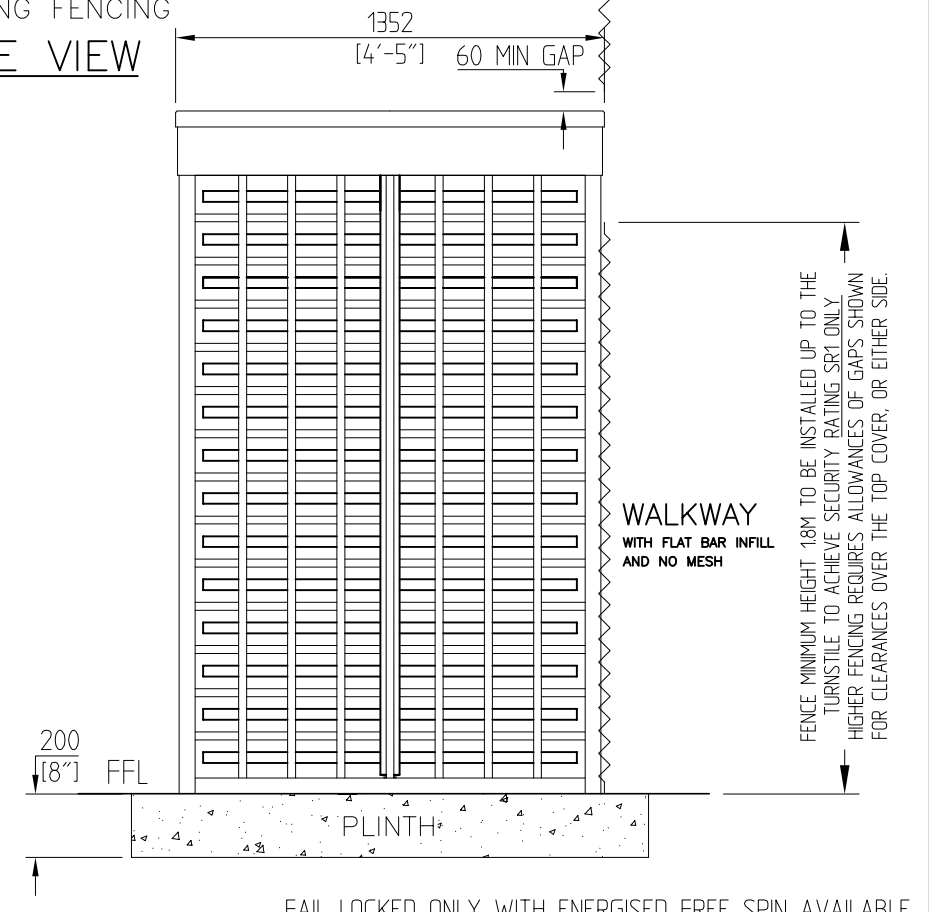
POSITIONING WITH FENCELINE
FLUSH INSIDE FENCE LINE OR FLUSH OUTSIDE FENCE LINE



ELEVATION VIEW



SIDE VIEW



NOTE:
THIS DESIGN LAYOUT HAS TIGHT GAPS BETWEEN ROTOR ARMS
AND IS BASED ON THE REQUIREMENTS FOR SECURITY FENCELINE TURNSTILES.

FAIL LOCKED ONLY WITH ENERGISED FREE SPIN AVAILABLE

			PROTECTIVE FINISH -	MATERIAL -	Clarke Instruments Ltd.	
			TOLERANCES FOR DIMENSIONS DIMS. SHOWN THUS >449 ±1 DIMS. SHOWN THUS 1. ±0.4 DIMS. SHOWN THUS 10 ±0.15 DIMS. SHOWN THUS 100 ±0.05 UNLESS OTHERWISE STATED ALL DIMENSIONS IN MILLIMETRES	STORES REF. BASED ON 491 - 430 STYLES		
2	18.08.18	CONTROL BOX POSITION CLARIFIED	TITLE SINGLE FULL HEIGHT SECURITY TURNSTILE SR1			DRG.No.
1	10.04.18	PROD.ISSUE	SINGLE FULL HEIGHT SECURITY T/S WITH 'STRAIGHT BAR' ROTOR ARMS			A3
ISSUE	DATE	CHANGE NOTE				1491-201-S
DRAWN	MDK	CHECKED	CERTD.	SCALE	N.T.S.	