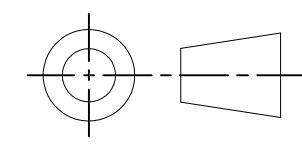


DRG.No. 1491-204-HFA
 USED ON
 -

CLARKE INSTRUMENTS LIMITED
 RESERVE THE RIGHT TO MODIFY
 THE DESIGN WITHOUT NOTICE

PLAN VIEW
 (OMITTING CANOPY FOR CLARITY)
 SELECTED HIDDEN DETAIL
 OMITTED FOR CLARITY

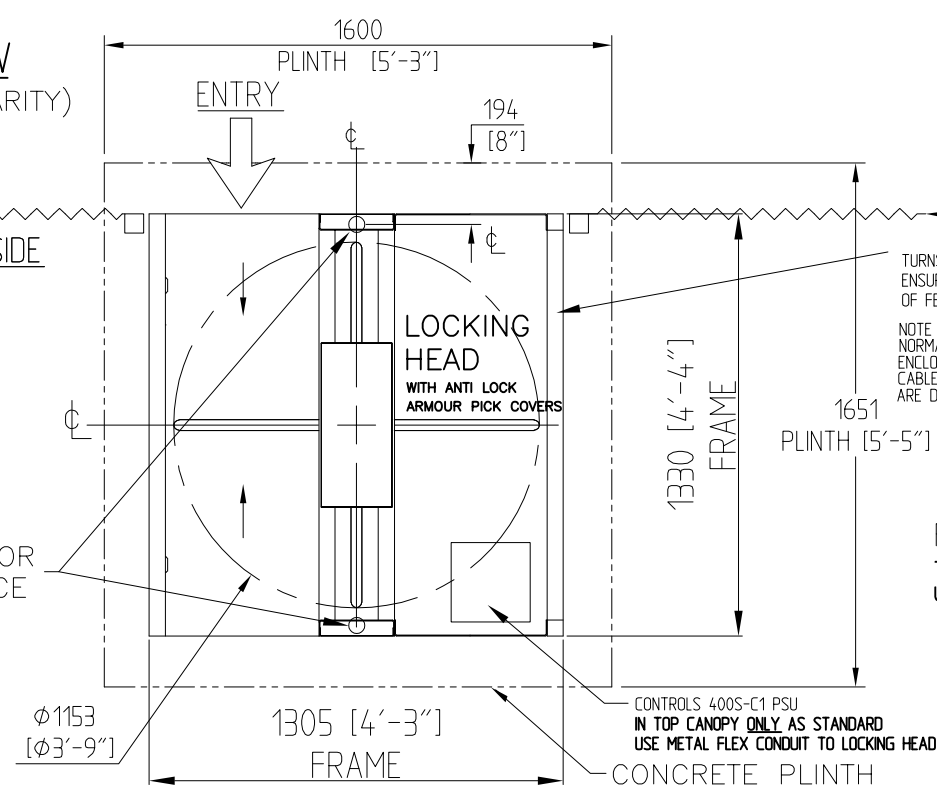


THIRD ANGLE PROJECTION
 DRAWN TO B.S. 8888

DESIGN RIGHTS
 INTELLECTUAL PROPERTY OF CLARKE INSTRUMENTS LIMITED
 COPYRIGHT © NOT TO BE COPIED WITHOUT PERMISSION
 WARNING - SOME CIL PRODUCTS ARE ALSO THE
 SUBJECT OF PATENT PROTECTION

FRONT
 SECURE SIDE

APPROX. POSITION FOR
 Ø50 DUCT EMERGENCE



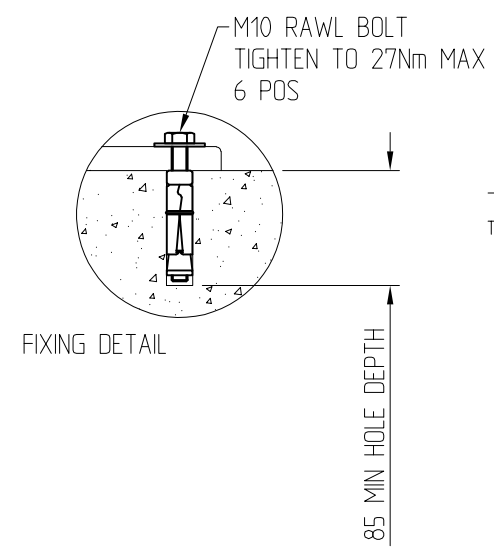
TURNSTILE SECURED BEHIND FENCE
 ENSURE MINIMAL GAPS BETWEEN FRONT OF TURNSTILE AND INSIDE
 OF FENCE, ALLOWING FOR THE TURNSTILE TOP LID ACCESS
 NOTE -
 NORMALLY THE POWER SUPPLY UNIT AND CONTROL BOARD
 ENCLOSURE ARE CONTAINED WITHIN THE CANOPY.
 CABLES TO THIS AREA (MAINS SWA AND SIGNAL CABLES)
 ARE DUCTED THROUGH VERTICAL SECTIONS OF THE TURNSTILE.

FENCE TO BE INSTALLED FRONT ONLY

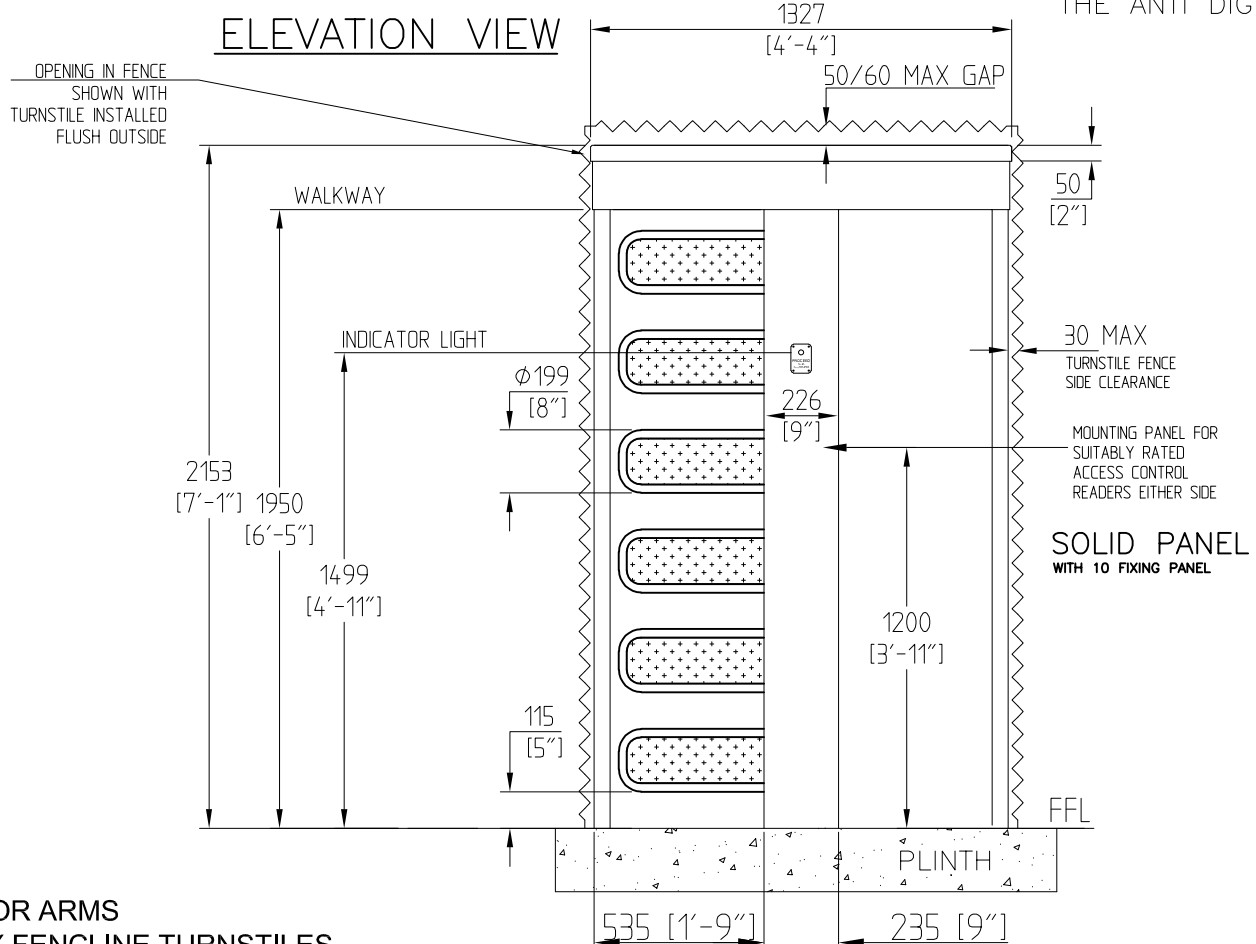
THE FENCE WILL HAVE TO EXTEND UP AND
 OVER FILL THE TURNSTILE TO MAKE UP THE
 MINIMUM HEIGHT 2.8M

POSITIONING WITH FENCELINE

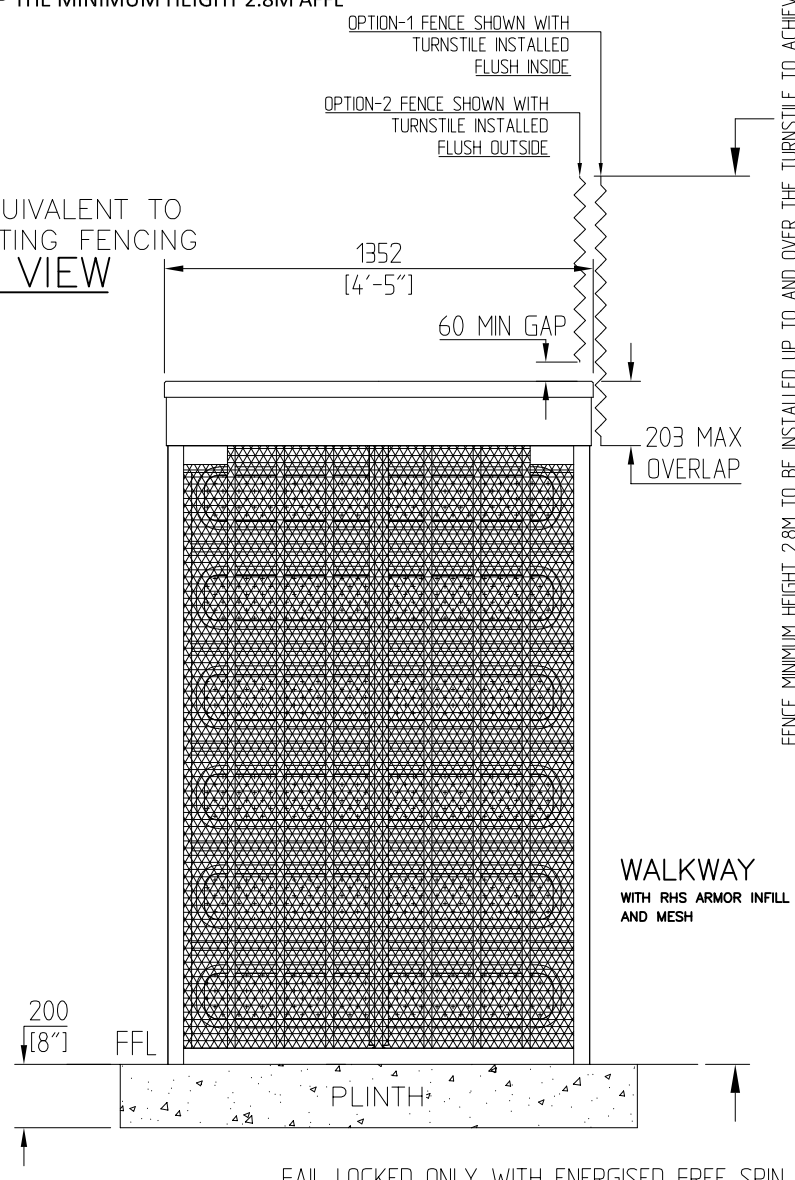
FLUSH INSIDE FENCE LINE OR FLUSH OUTSIDE FENCE LINE
 THE FENCE WILL HAVE TO EXTEND UP AND OVER THE TURNSTILE TO MAKE
 UP THE MINIMUM HEIGHT 2.8M AFFL



ELEVATION VIEW



SIDE VIEW



FENCE MINIMUM HEIGHT 2.8M TO BE INSTALLED UP TO AND OVER THE TURNSTILE TO ACHIEVE SECURITY RATING SR4 ONLY.
 POSITIONING THE TURNSTILE FULLY INSIDE THE SECURE SIDE, ALLOW THE FENCE OVER INFILL TO BE DOWN TO THE WALKWAY HEIGHT
 OR
 TO BRING THE TURNSTILE FLUSH WITH THE FRONT FACE OF THE FENCING, ALLOWING FLUSH THROUGH THE FENCE.
 THE INFILL NEEDS TO LEAVE A 50-60mm GAP OVER THE TOP LID ENSURING FOR ITS REMOVAL.

NOTE:
 THIS DESIGN LAYOUT HAS TIGHT GAPS BETWEEN ROTOR ARMS
 AND IS BASED ON THE REQUIREMENTS FOR SECURITY FENCELINE TURNSTILES.

FAIL LOCKED ONLY WITH ENERGISED FREE SPIN AVAILABLE

		PROTECTIVE FINISH		MATERIAL		Clarke Instruments Ltd.	
		-		-			
		TOLERANCES FOR DIMENSIONS		STORES REF. BASED ON 491 - 430 STYLES		TITLE SINGLE FULL HEIGHT SECURITY TURNSTILE SR4 SINGLE FULL HEIGHT SECURITY T/S WITH 'HOOPED-D-BAR FILLED ARMOR' ROTOR PADDLES	
		DIMS. SHOWN THUS >449 ±1					
		DIMS. SHOWN THUS 1. ±0.4				DRG.No. 1491-204-HFA A3	
		DIMS. SHOWN THUS 10 ±0.15					
		DIMS. SHOWN THUS 100 ±0.05					
		UNLESS OTHERWISE STATED					
		ALL DIMENSIONS IN MILLIMETRES					
2	18.08.18	CONTROL BOX POSITION CLARIFIED					
1	10.04.18	PROD.ISSUE					
ISSUE	DATE	CHANGE NOTE					
DRAWN	MDK	CHECKED	CERTD.	SCALE	N.T.S		