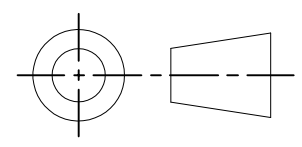


DRG.No. 1491-203-SFA  
 USED ON  
 -

CLARKE INSTRUMENTS LIMITED  
 RESERVE THE RIGHT TO MODIFY  
 THE DESIGN WITHOUT NOTICE

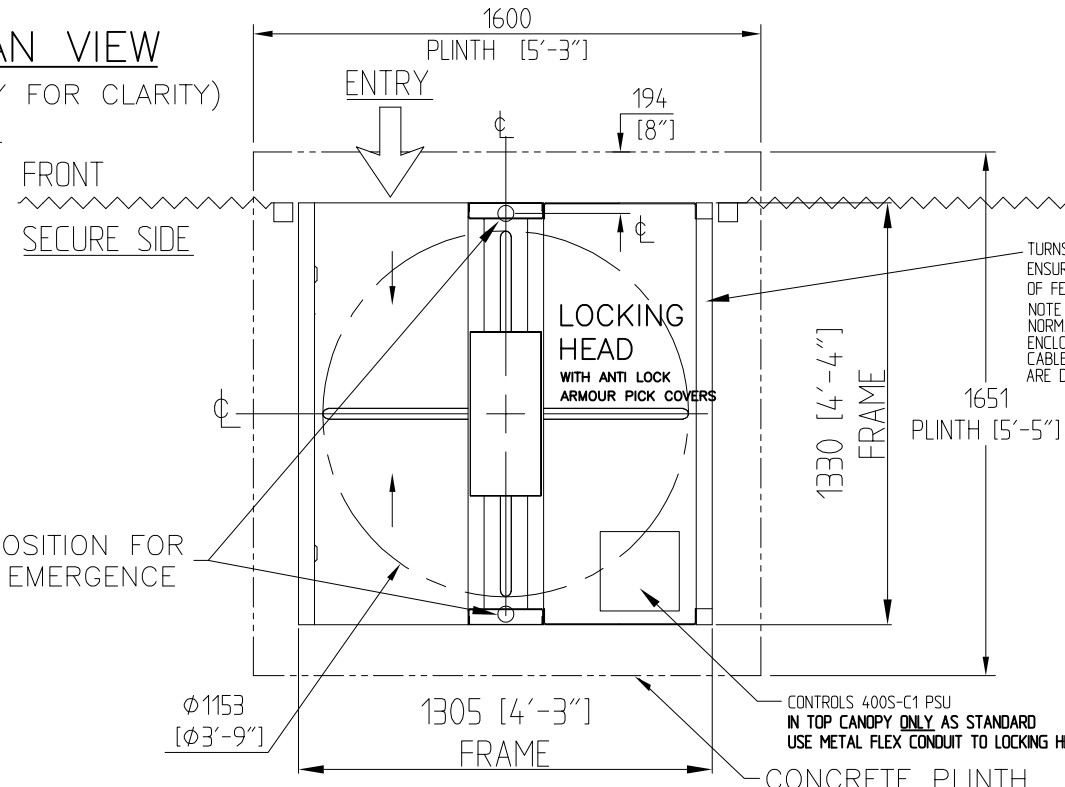
(OMITTING CANOPY FOR CLARITY)  
 SELECTED HIDDEN DETAIL  
 OMITTED FOR CLARITY



THIRD ANGLE PROJECTION  
 DRAWN TO B.S. 8888

**DESIGN RIGHTS**  
 INTELLECTUAL PROPERTY OF CLARKE INSTRUMENTS LIMITED  
 COPYRIGHT. © NOT TO BE COPIED WITHOUT PERMISSION  
 WARNING - SOME CIL PRODUCTS ARE ALSO THE  
 SUBJECT OF PATENT PROTECTION

**PLAN VIEW**

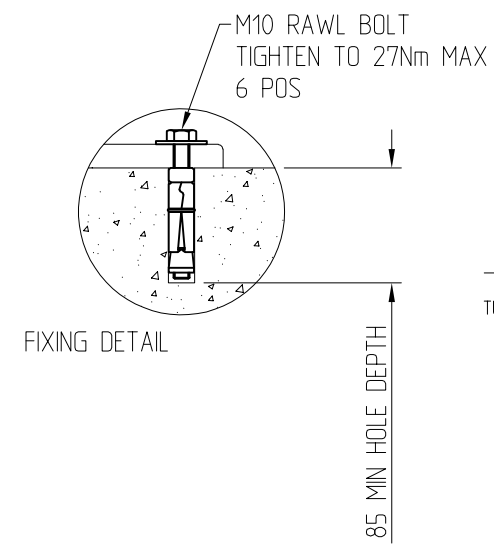


TURNSTILE SECURED BEHIND FENCE  
 ENSURE MINIMAL GAPS BETWEEN FRONT OF TURNSTILE AND INSIDE  
 OF FENCE. ALLOWING FOR THE TURNSTILE TOP LID ACCESS  
 NOTE -  
 NORMALLY THE POWER SUPPLY UNIT AND CONTROL BOARD  
 ENCLOSURE ARE CONTAINED WITHIN THE CANOPY.  
 CABLES TO THIS AREA (MAINS SWA AND SIGNAL CABLES)  
 ARE DUCTED THROUGH VERTICAL SECTIONS OF THE TURNSTILE.

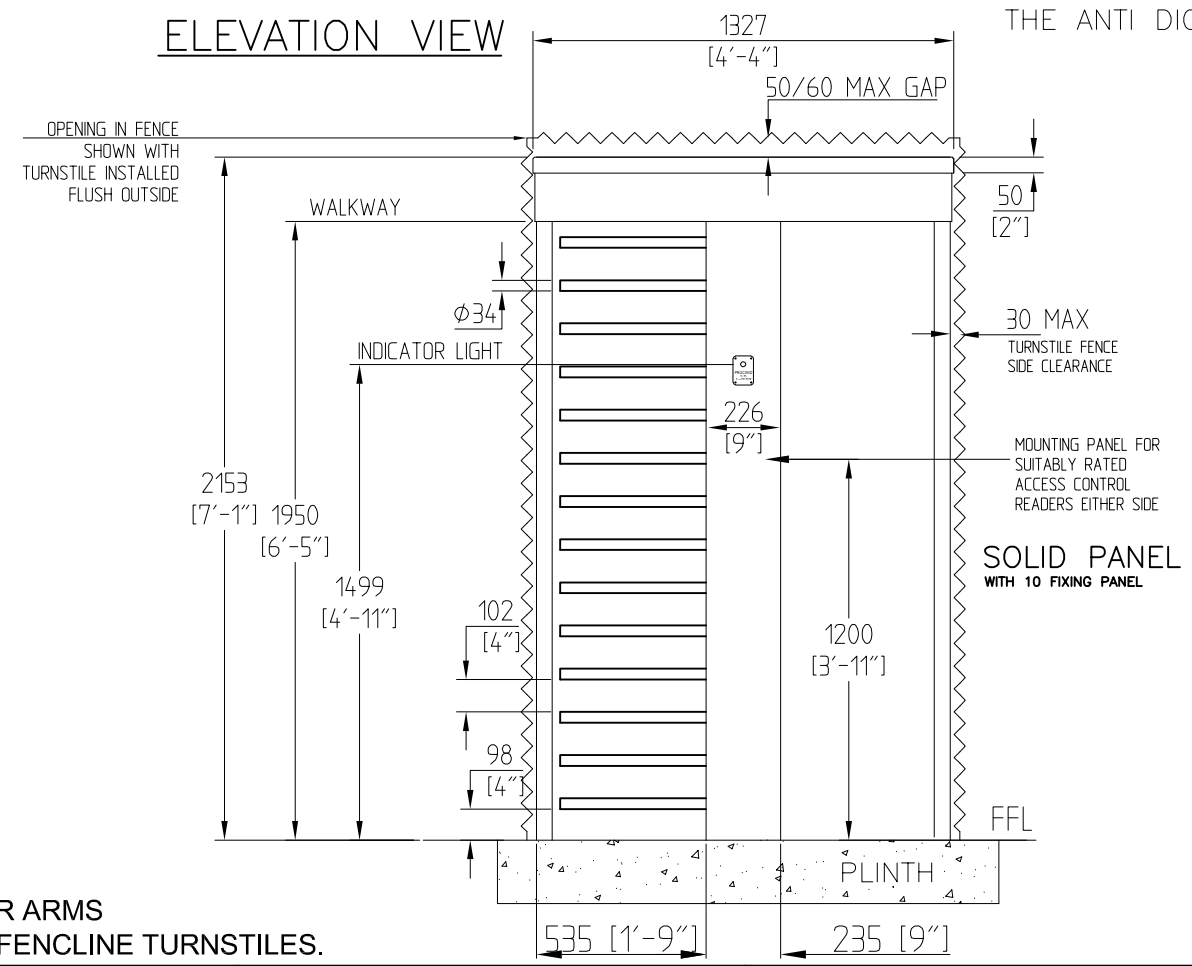
FENCE TO BE INSTALLED FRONT ONLY  
 THE FENCE WILL HAVE TO EXTEND UP AND  
 OVER FILL THE TURNSTILE TO MAKE UP THE  
 MINIMUM HEIGHT 2.4M

**POSITIONING WITH FENCELINE**  
 FLUSH INSIDE FENCE LINE OR FLUSH OUTSIDE FENCE LINE  
 THE FENCE WILL HAVE TO EXTEND UP AND OVER THE TURNSTILE TO MAKE  
 UP THE MINIMUM HEIGHT 2.4M AFFL

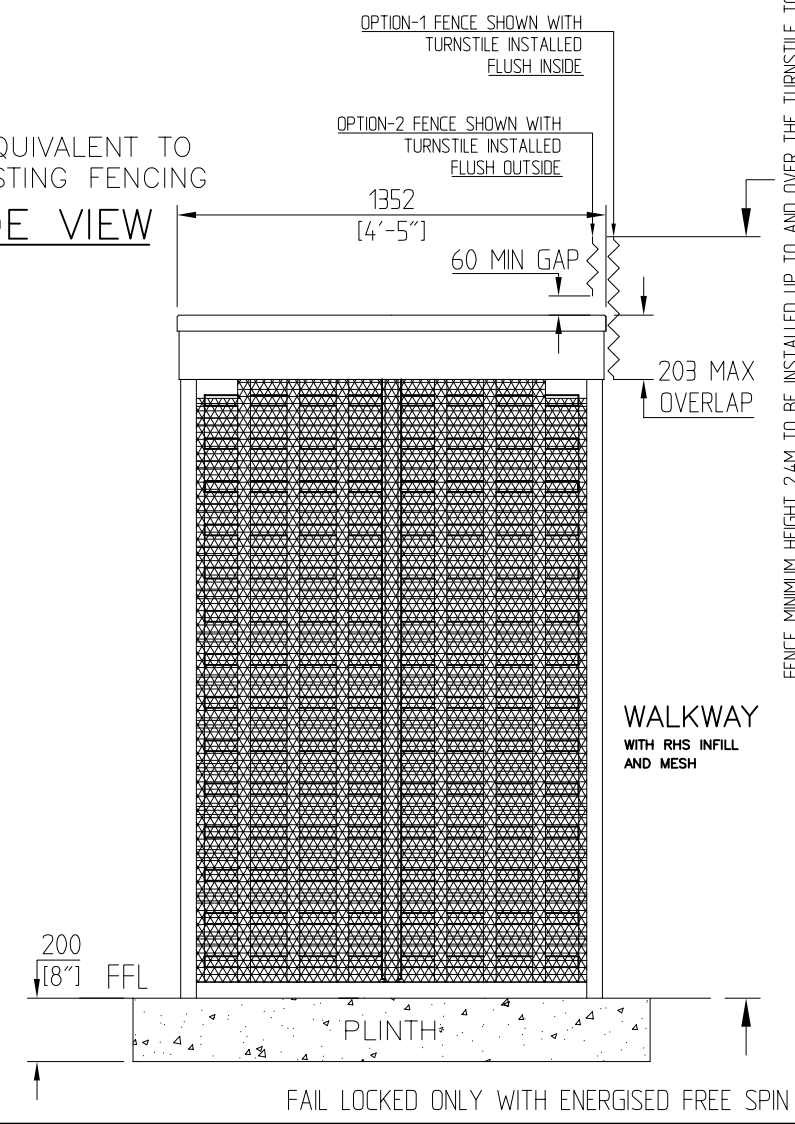
APPROX. POSITION FOR  
 Ø50 DUCT EMERGENCE



**ELEVATION VIEW**



**SIDE VIEW**



FENCE MINIMUM HEIGHT 2.4M TO BE INSTALLED UP TO AND OVER THE TURNSTILE TO ACHIEVE SECURITY RATING SR3 ONLY  
 POSITIONING THE TURNSTILE FULLY INSIDE THE SECURE SIDE, ALLOW THE FENCE OVER INFILL TO BE DOWN TO THE WALKWAY HEIGHT  
 OR  
 TO BRING THE TURNSTILE FLUSH WITH THE FRONT FACE OF THE FENCING, ALLOWING FLUSH THROUGH THE FENCE.  
 THE INFILL NEEDS TO LEAVE A 50-60mm GAP OVER THE TOP LID ENSURING FOR ITS REMOVAL.

**NOTE:**  
 THIS DESIGN LAYOUT HAS TIGHT GAPS BETWEEN ROTOR ARMS  
 AND IS BASED ON THE REQUIREMENTS FOR SECURITY FENCELINE TURNSTILES.

		PROTECTIVE FINISH		MATERIAL		Clarke Instruments Ltd.	
		-		-			
		TOLERANCES FOR DIMENSIONS		STORES REF. BASED ON 491 - 430 STYLES		A3	
		DIMS. SHOWN THUS >449 ±1		TITLE			
		DIMS. SHOWN THUS 1. ±0.4		SINGLE FULL HEIGHT SECURITY TURNSTILE		1491-203-SFA	
		DIMS. SHOWN THUS 1.0 ±0.15		SR3			
		DIMS. SHOWN THUS 1.00 ±0.05		SINGLE FULL HEIGHT SECURITY T/S WITH 'STRAIGHT BAR-FILLED ARMOR' ROTOR ARMS			
		UNLESS OTHERWISE STATED					
		ALL DIMENSIONS IN MILLIMETRES					
ISSUE	DATE	CHANGE NOTE					
2	18.08.18	CONTROL BOX POSITION CLARIFIED					
1	10.04.18	PROD.ISSUE					
DRAWN	MDK	CHECKED	CERTD.	SCALE	N.T.S		