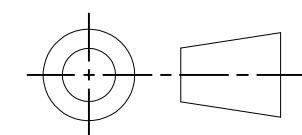


DRG.No. 1491-203-HFA  
 USED ON  
 -

CLARKE INSTRUMENTS LIMITED  
 RESERVE THE RIGHT TO MODIFY  
 THE DESIGN WITHOUT NOTICE

**PLAN VIEW**  
 (OMITTING CANOPY FOR CLARITY)  
 SELECTED HIDDEN DETAIL  
 OMITTED FOR CLARITY

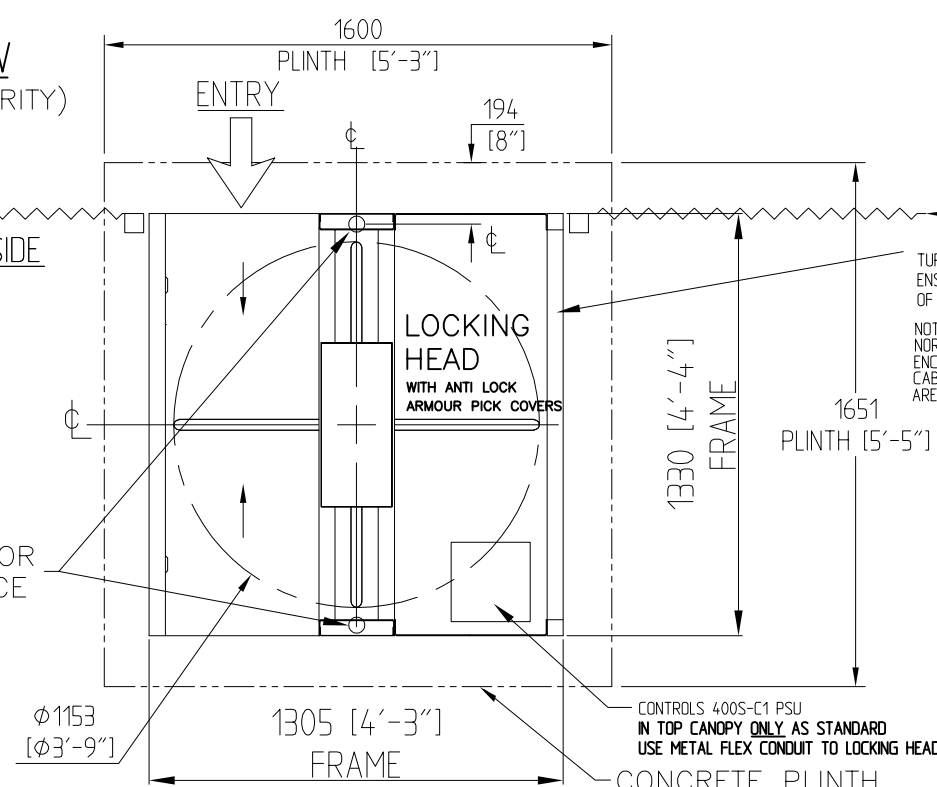


THIRD ANGLE PROJECTION  
 DRAWN TO B.S. 8888

**DESIGN RIGHTS**  
 INTELLECTUAL PROPERTY OF CLARKE INSTRUMENTS LIMITED  
 COPYRIGHT. © NOT TO BE COPIED WITHOUT PERMISSION  
 WARNING - SOME CIL PRODUCTS ARE ALSO THE  
 SUBJECT OF PATENT PROTECTION

FRONT  
 SECURE SIDE

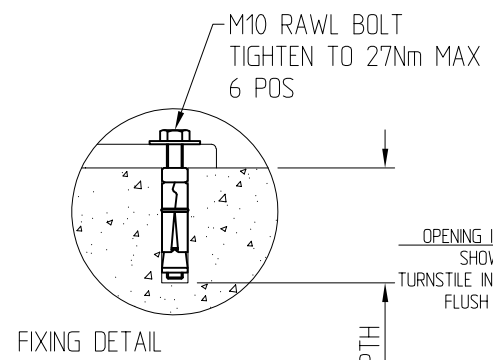
APPROX. POSITION FOR  
 Ø50 DUCT EMERGENCE



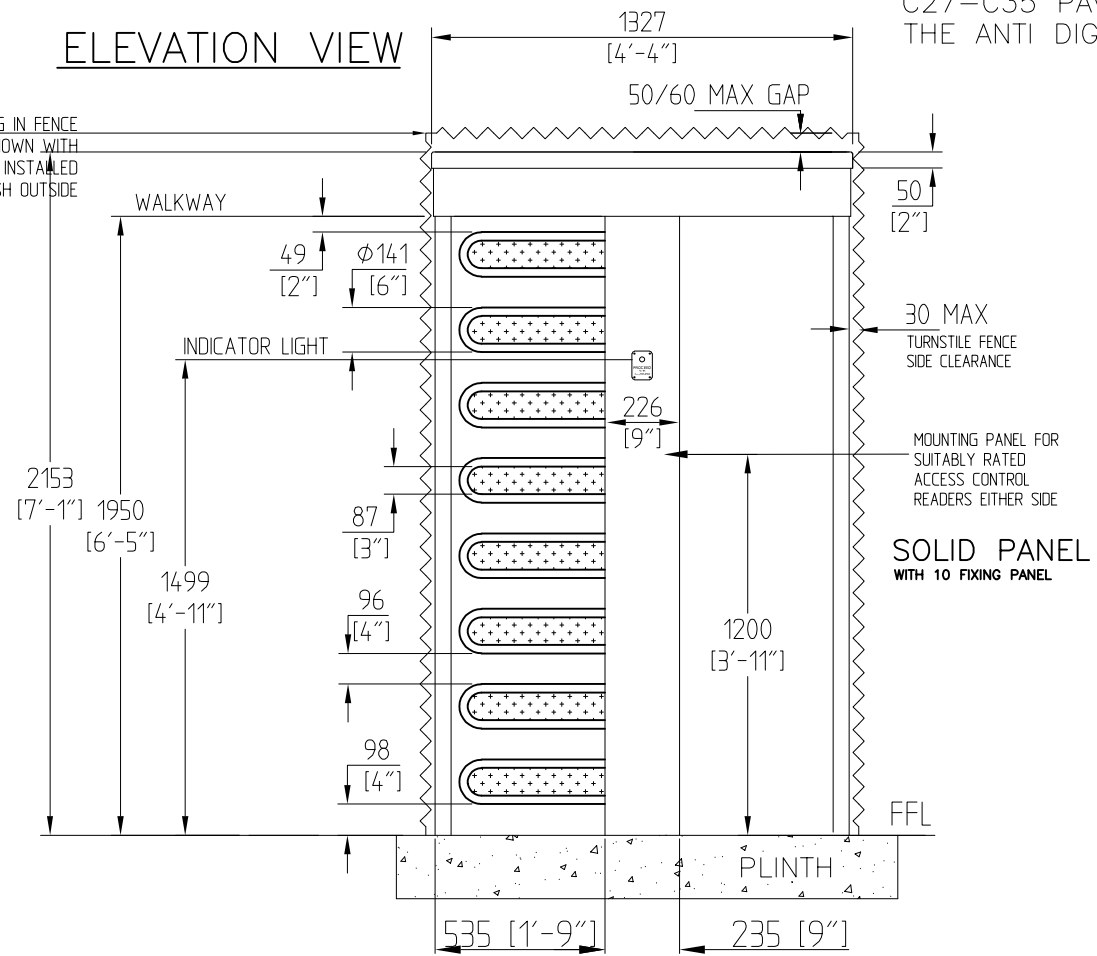
FENCE TO BE INSTALLED FRONT ONLY  
 THE FENCE WILL HAVE TO EXTEND UP AND  
 OVER FILL THE TURNSTILE TO MAKE UP THE  
 MINIMUM HEIGHT 2.4M

TURNSTILE SECURED BEHIND FENCE  
 ENSURE MINIMAL GAPS BETWEEN FRONT OF TURNSTILE AND INSIDE  
 OF FENCE, ALLOWING FOR THE TURNSTILE TOP LID ACCESS  
 NOTE -  
 NORMALLY THE POWER SUPPLY UNIT AND CONTROL BOARD  
 ENCLOSURE ARE CONTAINED WITHIN THE CANOPY.  
 CABLES TO THIS AREA (MANS SWA AND SIGNAL CABLES)  
 ARE DUCTED THROUGH VERTICAL SECTIONS OF THE TURNSTILE.

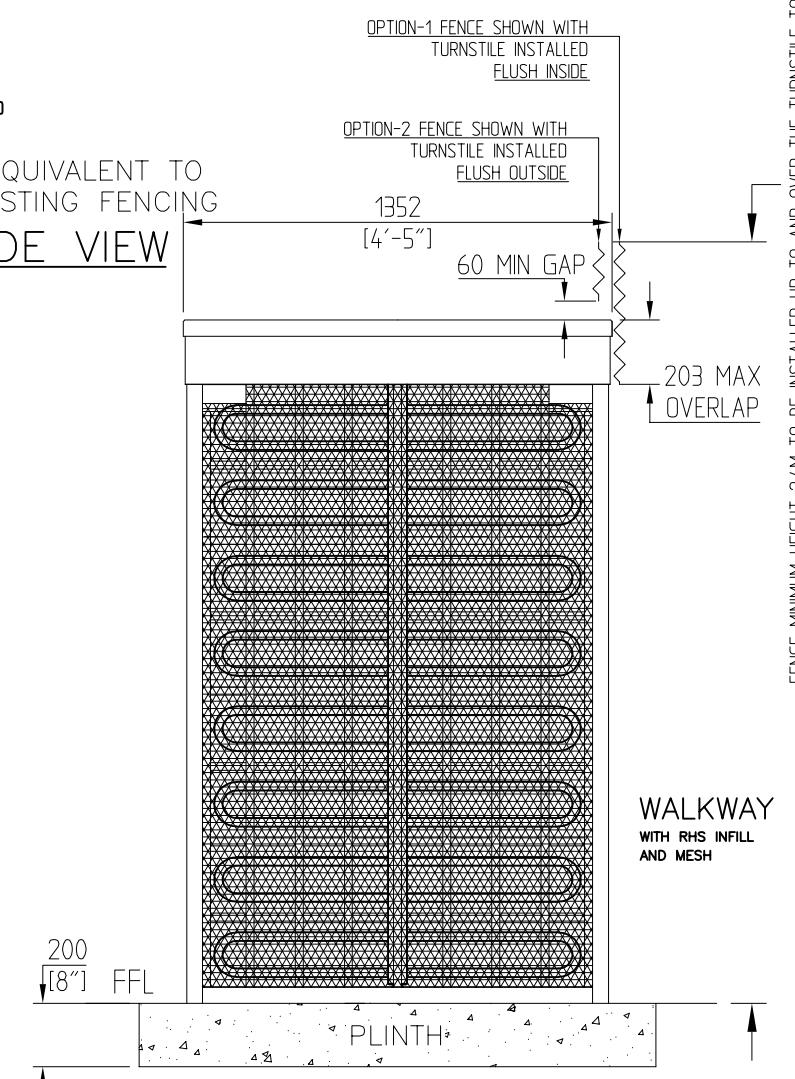
**POSITIONING WITH FENCELINE**  
 FLUSH INSIDE FENCE LINE OR FLUSH OUTSIDE FENCE LINE  
 THE FENCE WILL HAVE TO EXTEND UP AND OVER THE TURNSTILE TO MAKE  
 UP THE MINIMUM HEIGHT 2.4M AFFL



**ELEVATION VIEW**



**SIDE VIEW**



FENCE MINIMUM HEIGHT 2.4M TO BE INSTALLED UP TO AND OVER THE TURNSTILE TO ACHIEVE SECURITY RATING SR3 ONLY.  
 POSITIONING THE TURNSTILE FULLY INSIDE THE SECURE SIDE, ALLOW THE FENCE OVER INFILL TO BE DOWN TO THE WALKWAY HEIGHT  
 OR  
 TO BRING THE TURNSTILE FLUSH WITH THE FRONT FACE OF THE FENCING, ALLOWING FLUSH THROUGH THE FENCE.  
 THE INFILL NEEDS TO LEAVE A 50-60mm GAP OVER THE TOP LID ENSURING FOR ITS REMOVAL.

**NOTE:**  
 THIS DESIGN LAYOUT HAS TIGHT GAPS BETWEEN ROTOR ARMS  
 AND IS BASED ON THE REQUIREMENTS FOR SECURITY FENCELINE TURNSTILES.

FAIL LOCKED ONLY WITH ENERGISED FREE SPIN AVAILABLE

			PROTECTIVE FINISH -	MATERIAL -	Clarke Instruments Ltd.	
			TOLERANCES FOR DIMENSIONS DIMS. SHOWN THUS >449 ±1 DIMS. SHOWN THUS 1. ±0.4 DIMS. SHOWN THUS 1.0 ±0.15 DIMS. SHOWN THUS 1.00 ±0.05 UNLESS OTHERWISE STATED ALL DIMENSIONS IN MILLIMETRES	STORES REF. BASED ON 491 - 430 STYLES		
2	18.08.18	WAS '1491-203-HF' ARMOUR FILL ADDED TO HOOPED ROTOR CONTROL BOX POSITION CLARIFIED	TITLE SINGLE FULL HEIGHT SECURITY TURNSTILE SR3			DRG.No. 1491-203-HFA
1	10.04.18	PROD.ISSUE	SINGLE FULL HEIGHT SECURITY T/S WITH 'HOOPED BAR-FILLED ARMOUR AND SHEET' ROTOR PADDLES			A3
ISSUE	DATE	CHANGE NOTE				
DRAWN	MDK	CHECKED	CERTD.	SCALE	N.T.S	