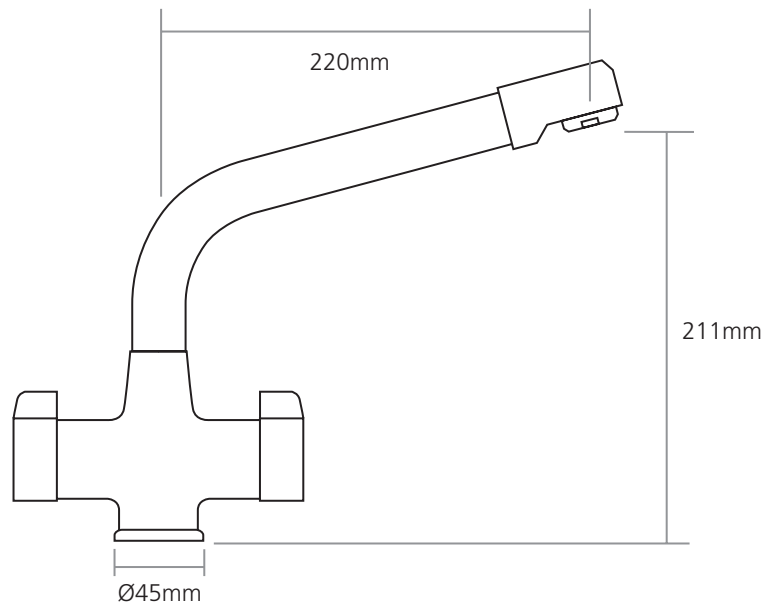


Product installation diagrams

Models:
CRU-CH



Worktop cut-out 35mm required
