

DPH Series

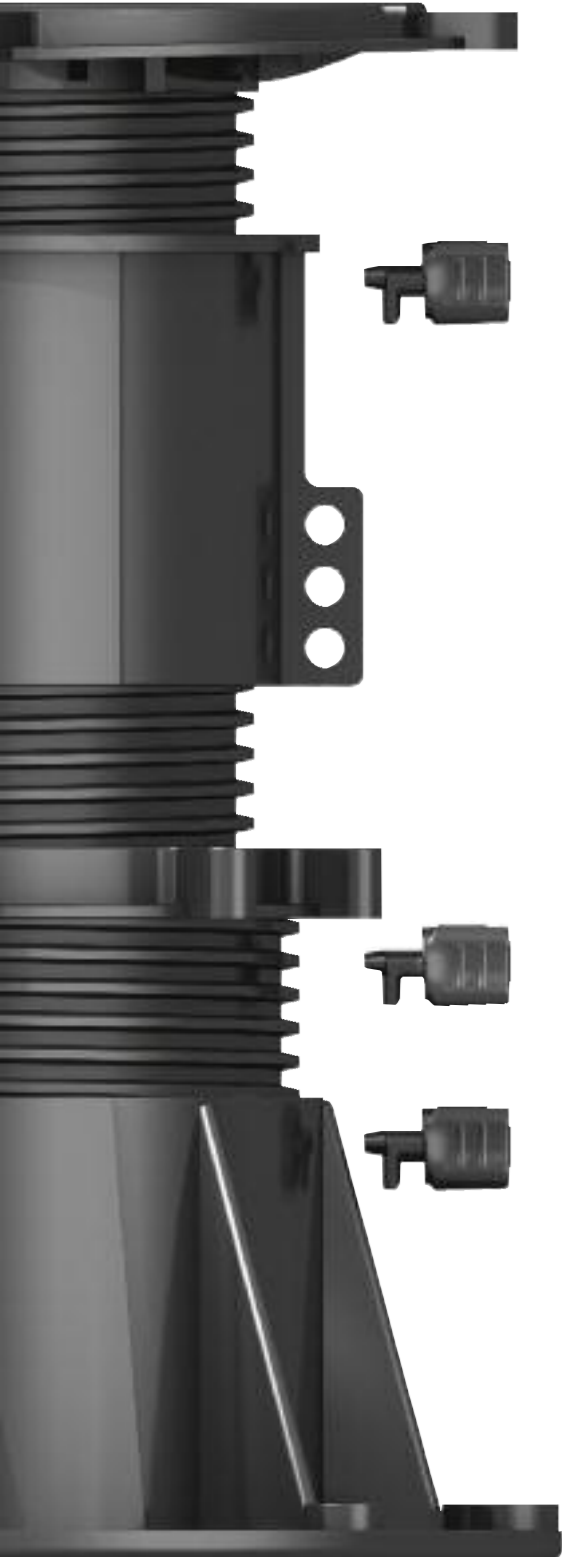
Adjustable pedestals for
raised access external
and internal floors



www.buzonuk.com
sales@buzonuk.com



Very clever...



High quality adjustable pedestals for all commercial, industrial and domestic applications

Founded in 1987, Buzon Pedestal International is the first and leading European manufacturer of screw-jack pedestals.

Buzon screw-jack pedestals offer uninterrupted adjustability, are made from **78% recycled** and **100% recyclable** polypropylene and support loads of more than 1000 kg per pedestal. They can be adjusted to compensate for up to 5% pitch, or compensate for locally uneven sub-bases up to the same amount. Once pedestals are at the required height, their position is fixed with unique lockable keys.

The pedestals and their accessories are equally suited to applications at ground or roof level and from prestige, highly aesthetic projects to industrial, performance-orientated applications.

Buzon is geared towards giving the specifier not just a product that meets and exceeds the required specification, but technical and on-site support that ensures the installation proceeds on spec, on time and on budget.

- Height range** Fully adjustable system from 17 to 850mm
- High loading** Supports loads in excess of 1000kg per pedestal
- Easy access** Services running in cavity below can be easily accessed
- Slope adjustment** Patented slope corrector can create or compensate for up to 5% pitch
- Water control** System allows for simple, fast removal of rainwater via access cavity
- Sustainable** DPH pedestals are manufactured from 78% recycled PPC and are 100% recyclable
- Design versatility** For use at ground or roof level for all types of stone, timber or industrial paving, decking or grid options
- Configurable** Pedestal spacing options allow for all complex layouts, abutments, penetrations and edge details. All positions are lockable by special patented key

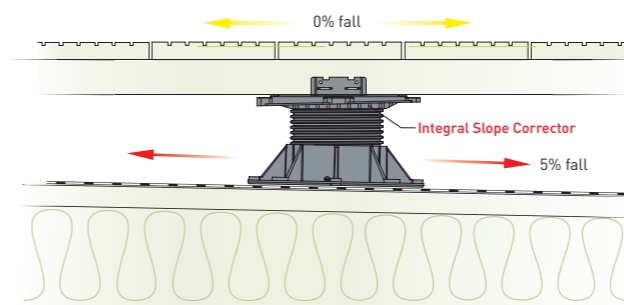
Integral, easy-to-use slope correction on every pedestal

The PH5 slope corrector can be used to achieve a level decking or paving surface whilst compensating for falls from 0% to 5% (from 0 to 5 cm per linear metre). For good levels of water run-off from roofs, the minimum slope should be 2%.

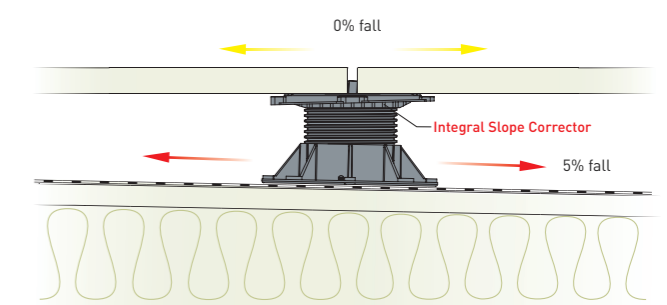
The PH5 slope corrector can be added to the head of DPH0, DPH1, DPH2 and DPH3 pedestals. It is integrated in the heads of DPH4 up to DPH11 pedestals. The top surface of the Integral Slope Corrector is calibrated so that adjustment for the exact amount of compensation can easily be made and clear directional arrows indicate the direction of the pedestal once the adjustment is set. Simply rotate the top section to the figure required. It's fast, accurate and easy to use, guaranteeing rapid and accurate installation.



Timber decking



Stone, ceramic or concrete pavers



Multi-application solutions

The images below outline a few of the applications for which the DPH system can be used. More case studies are shown on pages 9-11.



At roof level, DPH pedestals are used to support stone pavers to contain and protect the services for ventilation, water supply, lighting etc.



DPH5 pedestals used with joist cradles for timber decking



DPH pedestals used with timber deck tiles.



Fibre glass grid system: The DPH system is equally effective for commercial and industrial grid systems, where hygiene and access are crucial.

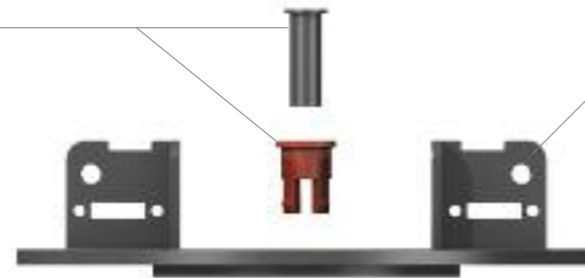
The DPH System

Buzon DPH® pedestals are made from **78% recycled and 100% recyclable** materials in polypropylene, polyester fibreglass and clear polycarbonate, and have been tested to conform to safety, compression, traction and side-pull standards.



Locator pin and plug

Secures joist cradle to head of pedestal.



Joist cradle

Support for any kind of substructure:

- timber batten (joists)
- composite battens
- aluminium or steel support sections

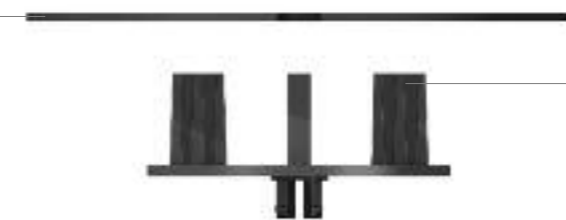
Width of the support: up to 63 mm. Fixing holes on both sides of support for mechanical fixing. Black location plug secures support to head support.



Shims

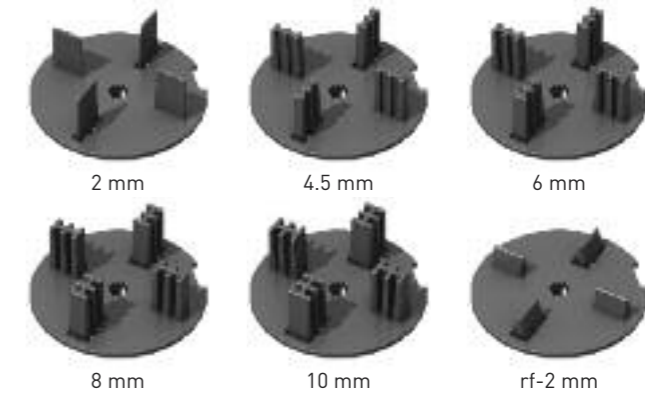
Made in EPDM of 1 or 2 mm reinforced (Shore 60), for use with marble, stone slabs, granite pavers, etc. for:

- added anti-slip performance
- shock and sound absorption
- compensation for stone thickness variation



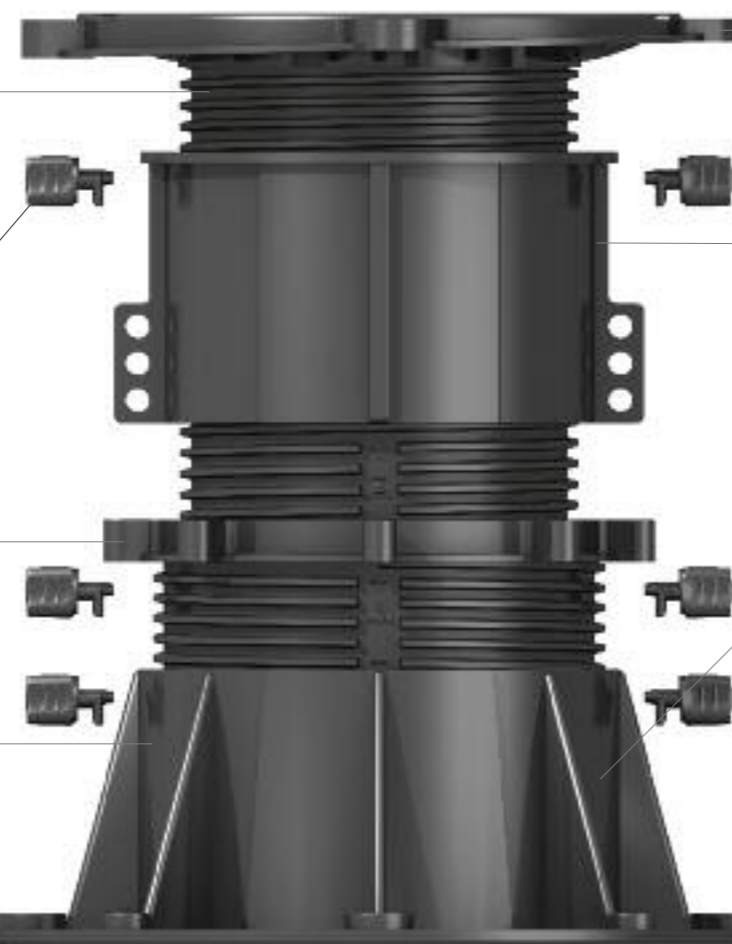
Tabs

The head can be fitted with tabs, to give the desired opening between tiles (for water drainage and ventilation).



Support head

Surface area 175 cm². The head of the support is screwed directly on to the base, or on to the coupler. The head, a diameter of 150 mm, can be fitted with various components to support differing surfaces.



Slope corrector (0-5%)

The integral slope corrector (PH5) – see page 3 – can be added to the head of DPH0/DPH1/DPH2/DPH3 pedestals and is integrated in the heads of the DPH4 to DPH11 pedestals.

Couplers

The coupler is used when the height of the pedestal exceeds 170 mm (DPH 5 and upwards).

Two Integrated tabs on either side allow for mechanical fixing or cross-bracing, guaranteeing enhanced stability when the height exceeds 600mm.

They are used for DPH 6-11 units.



Locking Keys

Lock pedestal at required height to ensure no subsequent rotational movement caused by traffic or vibration.

Adjustment ring

High to low, with a diameter of 115 mm and screw pitch reversed.

Base

The base can be simply positioned or fixed to any substrate. It has 8 fixing holes, for screws or bolts. The head, coupler ring and the base have a safety 'stop' pin, to prevent over extension.

Dimensions

The full range of dimensions can be found on page 11.

DPH 5 reversal

If the application requires a larger head support area, or to maximise head support surface area nearest to the building, pedestals can be simply inverted. Joist cradles, tabs and shims can be fitted in the same way.



DPH design details

Buzon DPH® pedestals can be used at ground or roof level over new or existing concrete, built-up, single ply, flat or pitched roofs. The pedestals allow for up to 5% slope correction and can accommodate a range of services beneath floor level as well as giving excellent drainage.

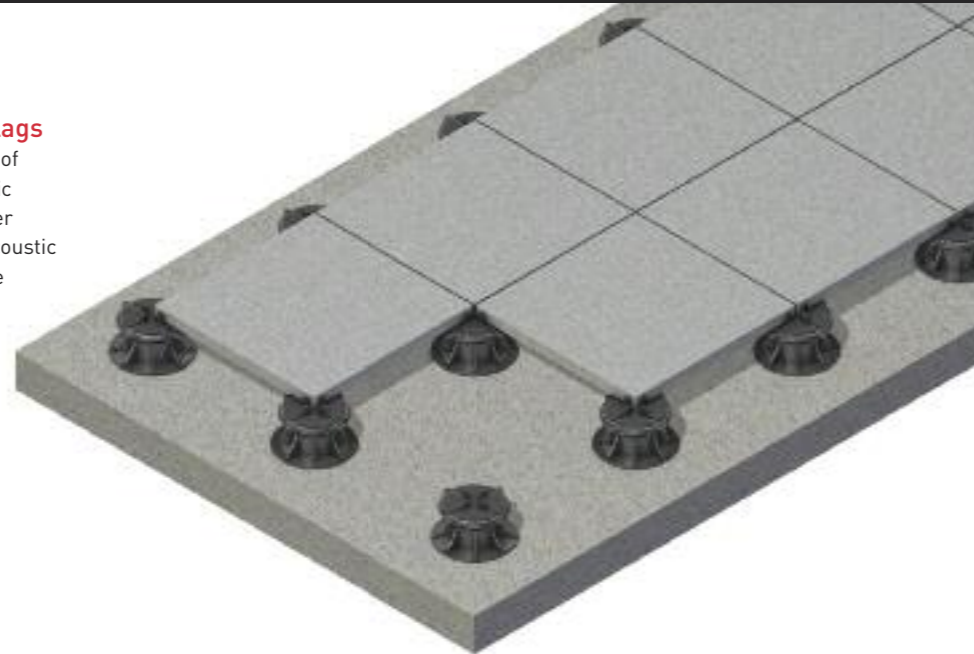
Very clever...



Stone, ceramic and concrete pavers/flags

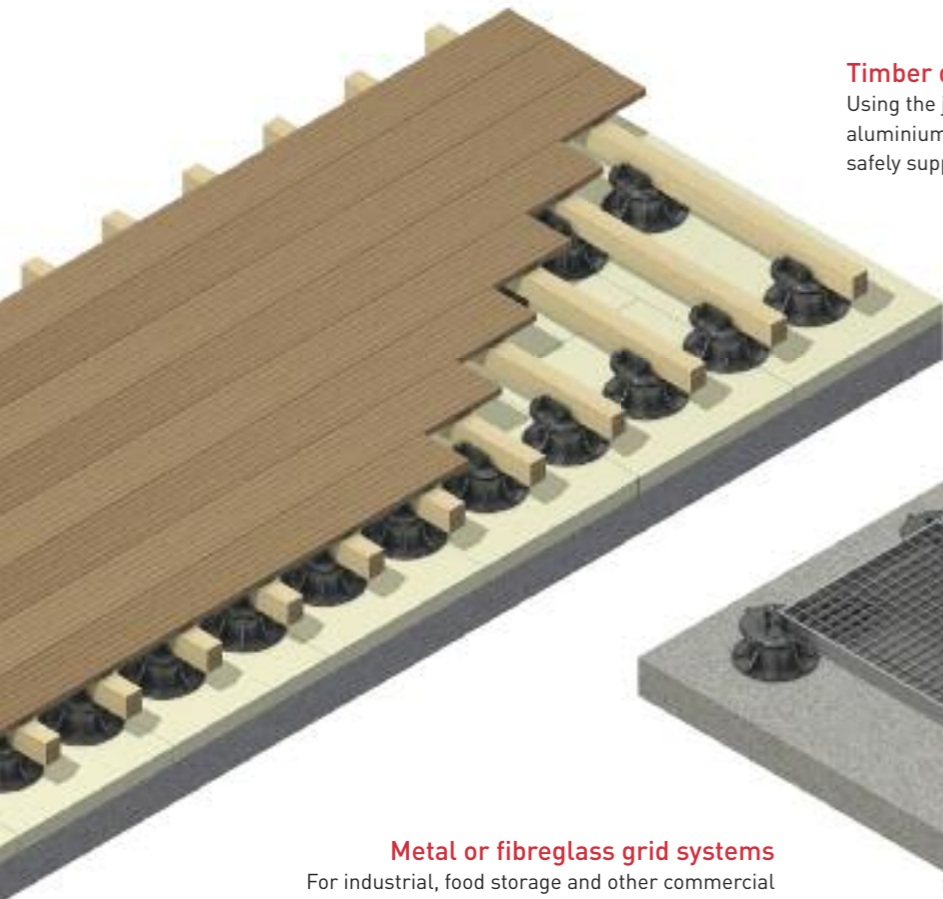
The DPH system can accommodate most forms of square or rectangular stone, concrete or ceramic paver, sustaining loads of in excess of 1000kg per pedestal. Shims can be used to both enhance acoustic performance and to create a level surface where uneven or riven materials are used.

Specialised pedestals can also be made – for example, transparent units are often produced for display and exhibition areas.



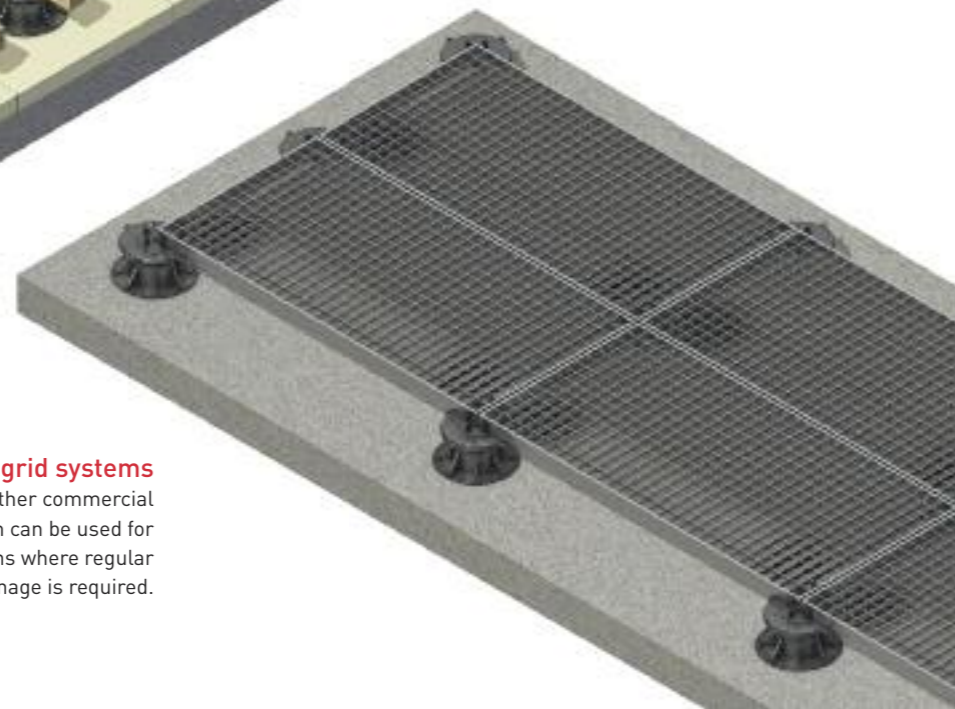
Timber decking systems

Using the joist cradle attachment to locate timber or aluminium joists, timber decking can be simply and safely supported.



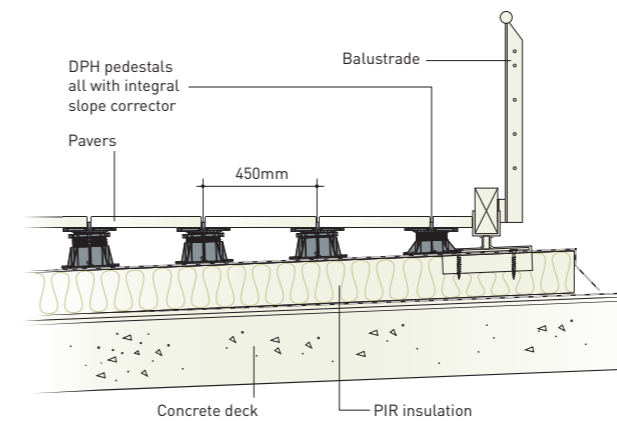
Metal or fibreglass grid systems

For industrial, food storage and other commercial installations the DPH system can be used for exterior and interior locations where regular cleaning and rapid efficient drainage is required.

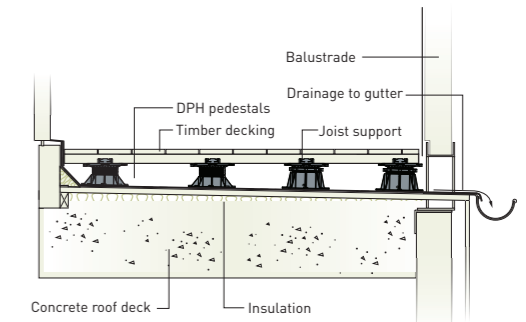


Typical details

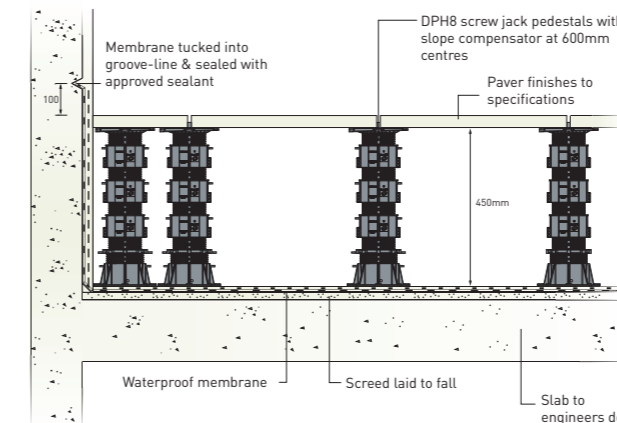
The sectional details below show some of the construction options available when using Buzon DPH pedestals. There are countless permutations – including differing substrate type, surface finish, edge detailing, etc. are available. Please contact Buzon for further design detailing advice.



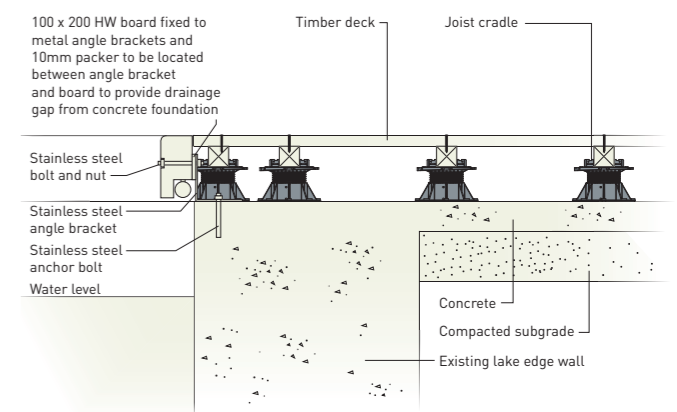
1. Typical section showing slope correction on pitched roof.



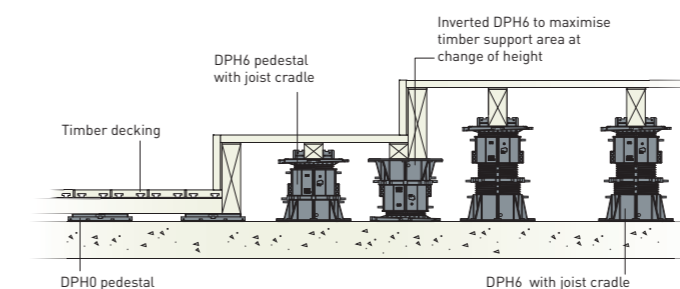
2. Typical section showing abutment to parapet on flat roof.



3. Typical section showing concrete deck and parapet with high clearance provided by DPH8 pedestals.



4. Typical section showing abutment to pool or water feature.



5. Typical section showing stepped application.

DPH case studies

Buzon DPH® pedestals have been used successfully throughout the world on a wide range of prestigious architectural projects. The versatility of the system means that they can be used easily for a small roof top terrace or for a large commercial installation.



Project
Excel Exhibition Centre

Location
London, England

Product
DPH and BC systems

Application type
Pedestals laid over a concrete deck to form the entrance plaza for a large and busy exhibition centre. Pedestals support ceramic stone pavers to give absolute stability and a perfectly flat finish.



Project
Royal Military School

Location
Brussels, Belgium

Product
DPH system

Application type
Combined decking and paving in curved design is easily achieved with one support system permitting simple rapid installation



Project
Beach Front Hotel

Location
Greece

Product
DPH3

Application type
A large area of water front decking. The DPH system is immune to corrosion or degradation by the marine environment.

Project
Restaurant

Location
Melbourne, Australia

Product
DPH3

Application type
Buzon pedestals support natural stone pavers at roof level to create a roof top terrace for a restaurant. The system offers simple, rapid drainage from the flat roof substrate beneath.



DPH case studies

Buzon DPH® pedestals have been used successfully throughout the world on a wide range of prestigious architectural projects. The versatility of the system means that they can be used easily for a small roof top terrace or for a large commercial installation.

Project
One Hyde Park

Location
London, England

Product
DPH system

Application type
Extremely high specification project with pedestals using joist cradles to support timber decking, all laid over ballasted flat roof



Project
Vivo City

Location
Singapore

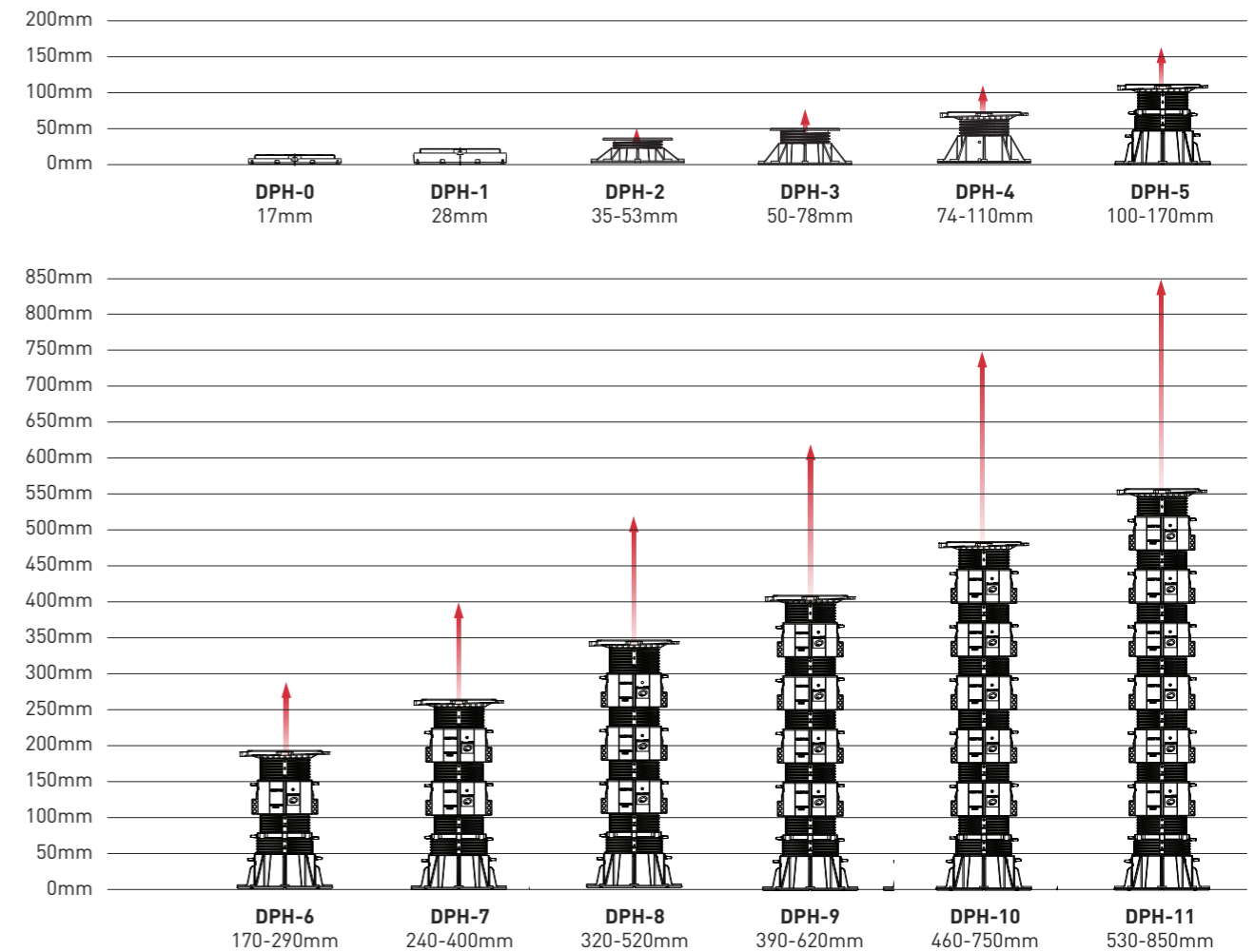
Product
DPH5

Application type
DPH5 system used to support pavers beneath water feature. Corrosion and damp proof product provides rapid drainage.

Dimensions

The Buzon DPH range can accommodate floor cavity depths of 17-850mm, in 1mm increments, if required. Other compatible products on the Buzon range can achieve depths up to 1030mm. Details of these products are available on request.

The tables below shows specific height ranges according to product



Loading data

The Buzon DPH system is the most robust pedestal system available today with unparalleled loadbearing capacity. The DPH range has been tested by an independent laboratory and in compression tests, the DPH5 unit at 170mm height has a maximum loadbearing capacity in excess of 1000kg per pedestal.





Marina Bay Sands Sky Park, Singapore: Buzon DPH pedestals used for decked restaurant and leisure areas.

Services and support



Technical support

On request, our design department will furnish architects and specifiers' details and drawings in 2D and support documentation.

Our files and drawings are designed to work with clients' software, and can usually be 'cut-and-pasted' directly onto plans and specification requirements. Product data sheets and technical specifications are available on request.

Site support

Buzon can provide on-site assistance to ensure the optimum design and installation.

Installation guidance

A comprehensive range of installation guidance is available on request.



Buzon UK Limited

Unit 6, Teddington Business Park, Station Road, Teddington TW11 9BQ

Tel +44 (0)20 8614 0874 Fax +44 (0)20 8977 0825

www.buzonuk.com