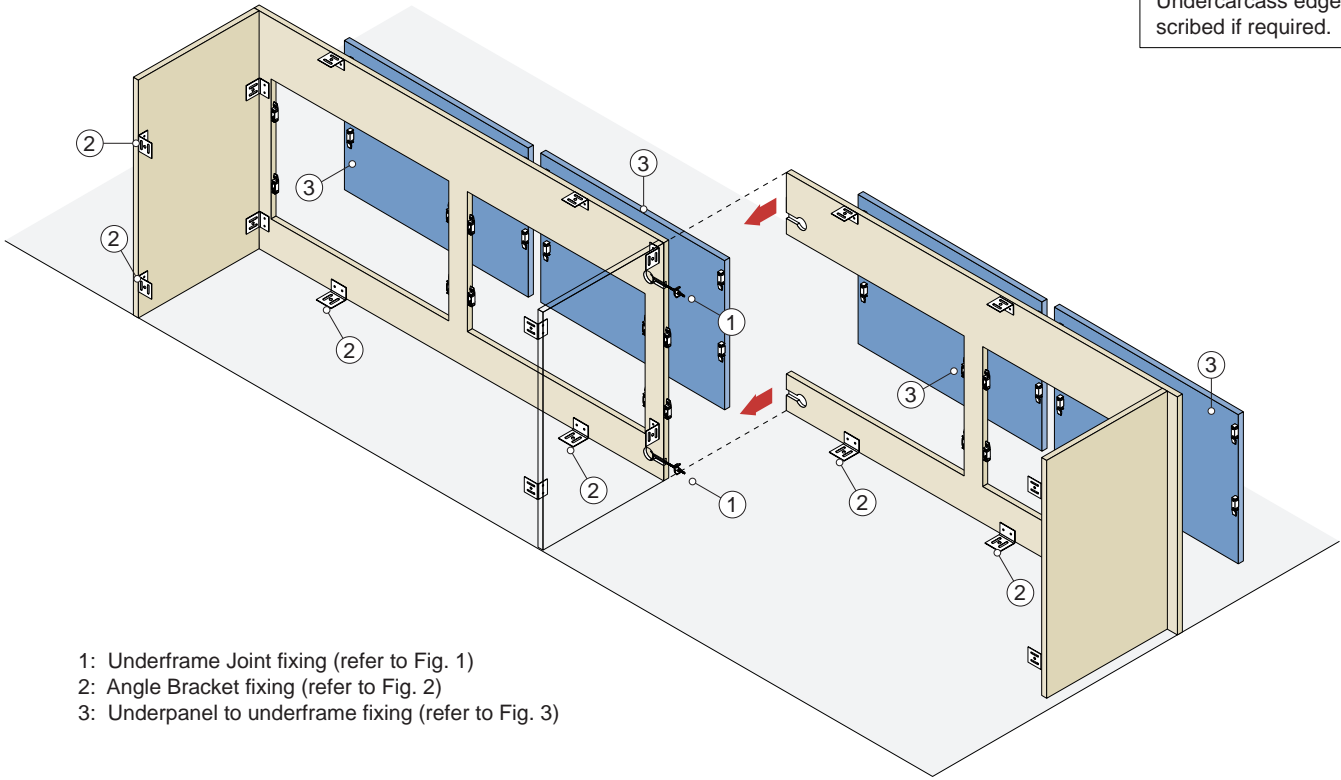
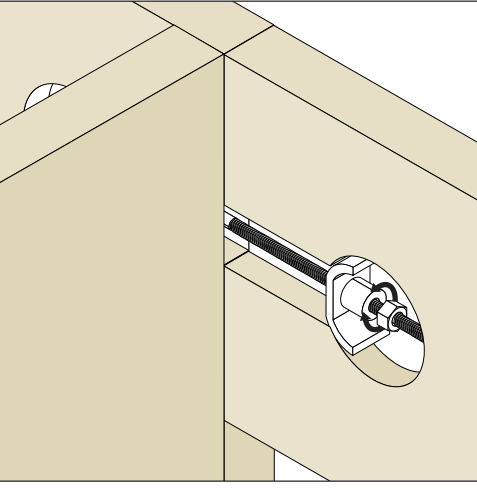


**Please Note:**  
Undercarcass edge to be site scribed if required.



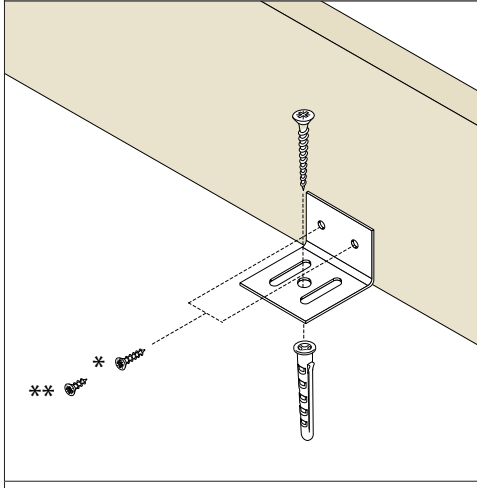
- 1: Underframe Joint fixing (refer to Fig. 1)
- 2: Angle Bracket fixing (refer to Fig. 2)
- 3: Underpanel to underframe fixing (refer to Fig. 3)

**Fig. 1: Underframe Join Fixing Detail**



Screw Nut to tighten bolt and bring units together.

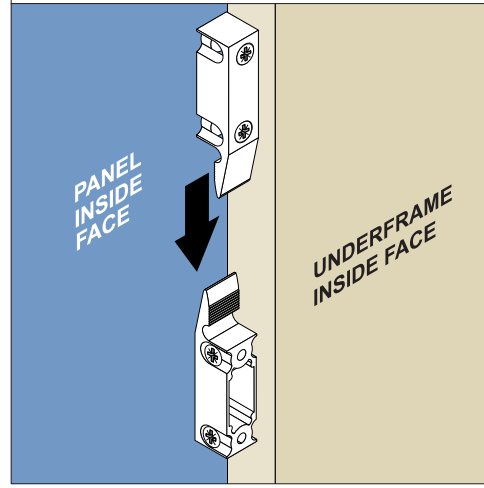
**Fig. 2: Angle Bracket Fixing Detail**



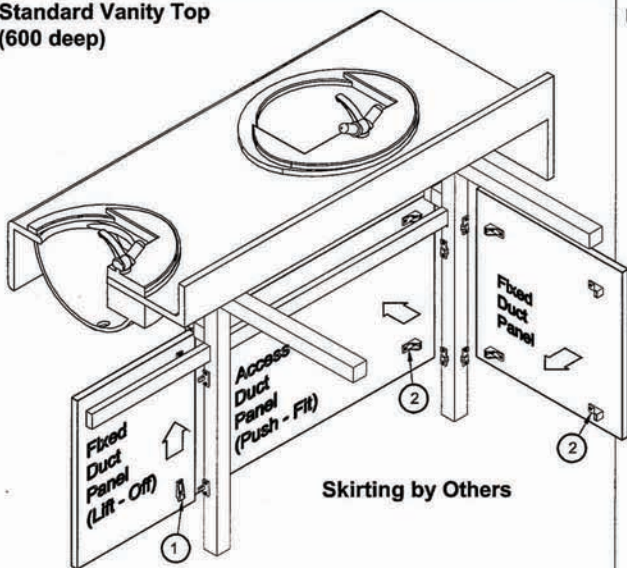
\* No. 8 x 3/4" pozi csk screw for **19mm board**.  
(2mm dia pilot hole, max. 17mm deep).  
\*\*No. 8 x 1/2" pozi csk screw for **12.5mm board**.  
(3.5mm dia pilot hole, max. 11mm deep).

**Please Note:**  
Raw Plug and Screw to be supplied by others.

**Fig 3: Underpanel to Underframe Fixing Detail**

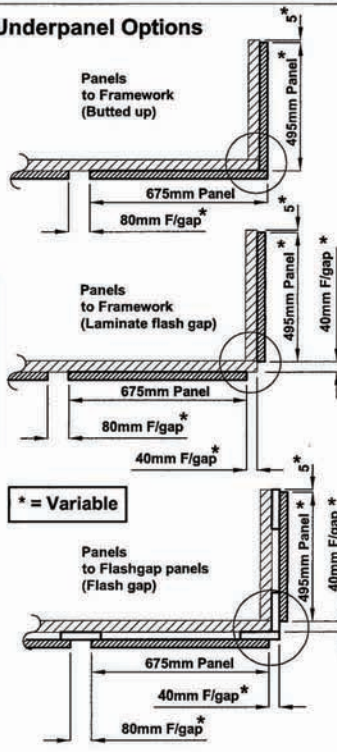


### Standard Vanity Top (600 deep)

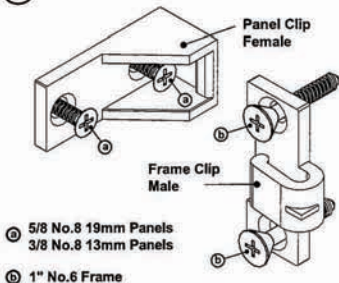


### Skirting by Others

### Underpanel Options

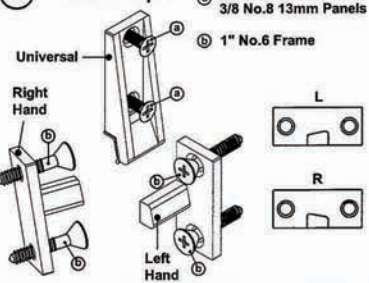


### 2 Push - Fit Clips

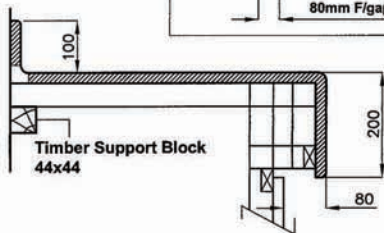


- Ⓐ 5/8 No.8 19mm Panels
- Ⓑ 3/8 No.8 13mm Panels
- Ⓒ 1" No.6 Frame

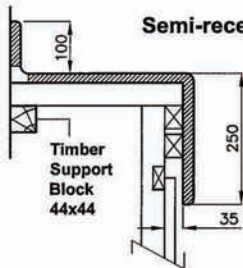
### 1 Lift - Off Clips



- Ⓐ 5/8 No.8 19mm Panels
- Ⓑ 3/8 No.8 13mm Panels
- Ⓒ 1" No.6 Frame



### Semi-recessed type (300 deep)



Vanity units shown at  
Adult height of 800mm  
Child height = 700mm

**Note:**  
Before constructing  
timber subframe  
ensure 35mm  
back set of underpanels  
does not clash  
with the basin waste trap.

Bushboard Limited Wellingborough Northants NN8 4BA

Telephone: +44 (0)1933 232200 Facsimile +44(0)1933 232283 e-mail: washrooms@bushboard.co.uk