

Uniclass			
L2226			
CI/SfB	(22.3)	X	
April 2014			



WASHROOMS THAT WORK

Healthcare Brochure



We put the care into healthcare...



Over 10 years ago, we set out to deliver the best pre-plumbed system on the market utilising 90 years of experience, cutting edge technology, the highest quality materials and outstanding design.

Our idea was simple: a high quality pre-plumbed solution that conformed to stringent healthcare standards, delivered ready to install and requiring no on-site assembly.

Today, thousands of Bushboard RPM units are successfully in use every day in clinical environments across the UK.

Some completed projects:

King Edward VII Hospital, Milton Keynes General Hospital, Hartismere Hospital, St Mark's Hospital, Worthing Hospital, High Wycombe Hospital, Tolworth Hospital, Newmarket Community Hospital, Caerphilly Hospital, Derby PFI Hospital, King's College Hospital, Norwich Community Hospital, Leeds Student Medical Practice, Southend University Hospital, Harlech Primary Care Facility, St Mary's Hospital



RPM: Reliable, with a proven track record

HBN 00-10 Part C – a fully compliant solution



Since its introduction in 2002, RPM has rapidly become a first choice for specifiers because of innovative design, ease of installation and guaranteed standardised quality.

Units combine a carefully selected range of sanitaryware and brassware, fitted to panels and pre-assembled onto a specially designed pre-built rigid aluminium frame.

Delivered in partnership with a number of leading sanitaryware and brassware providers, we have the flexibility to provide a range of ready plumbed solutions to suite any budget, whilst ensuring they are manufactured to the highest standards and fully compliant with HBN-0010.

Our partners:



Standards and Compliance

The key requirements of HBN 00-10 Part C have already been at the forefront of our product design for the last 10 years.

As well as assisting specifiers and healthcare experts to understand the life cycle and maintenance costs of our Ready Plumbed Modules, we continually review how our products can better contribute towards sustainability.

Standardisation and pre-assembly of components have ensured we deliver a quality product time again, and our ability to precision manufacture to the tightest of tolerances with materials that are tried and trusted means we have been at the forefront of assisting with infection prevention and control for over a decade.



The benefits of choosing Ready Plumbed Modules

Bushboard Ready Plumbed Modules are delivered factory pressure tested and ready to install. Units are simply and easily secured to the wall and services connected. RPM requires no pre-built timber frame and a single trade can complete the installation of an individual unit in as little as 20 minutes, resulting in substantial time and cost savings.

Guaranteed quality: factory engineered using standardised processes and the latest manufacturing technology to deliver an exceptionally high quality, durable product.

Improved infection control: precision manufactured from the highest quality materials to minimise dirt traps and deliver ease of maintenance and cleaning.

Compliance: units are fully compliant with stringent healthcare regulations including HBN 00-10.

Reduced time: each unit can be installed in as little as 20 minutes by a single trade resulting in substantial time and cost savings.

Improved cost control: one product delivered from one source, ensures greater predictability of cost and programming, resulting in substantial time and cost savings.

Improved sustainability: reduces the impact of construction activities on-site, including noise, vehicle movements and waste reduction.

Utilisation of off-site skills: removes the interface between joinery and plumbing trades reducing reliance on skilled labour on-site.

Reduced accidents: transferring work off site into our controlled production environment reduces site health and safety issues.

Testing off-site: delivered pressure tested and ready to install.

Delivery and distribution: delivered palletised for ease of handling and distribution on site.

Regulations and standards

The following measures apply to all Bushboard Healthcare RPM units to ensure they meet the stringent regulations relating to plumbing:

- Products used are WRAS listed or self certified as compliant
- TMV3 approved thermostatic mixer valves
- All units are pressure tested for leakage
- Brass fittings are DZR grade

For further information refer to page 46.

The UK's most economical metal framed pre-plumbed pre-assembled solution



The addition of our SanCeram sanitaryware and brassware range now makes RPM even more affordable, offering cost savings of up to 25% on similar quality products in the market place.

SanCeram

SanCeram is an outstanding range of sanitaryware developed through years of experience, and delivers excellent quality, precision casting, unique selling features and unparalleled value.

Complying with the requirements of HBN 00-10 Part C and WRAS as well as delivering exceptional quality and value, SanCeram enables more Healthcare Trusts than ever to specify the very best clinical pre-plumbed solution.

SanCeram is in use at

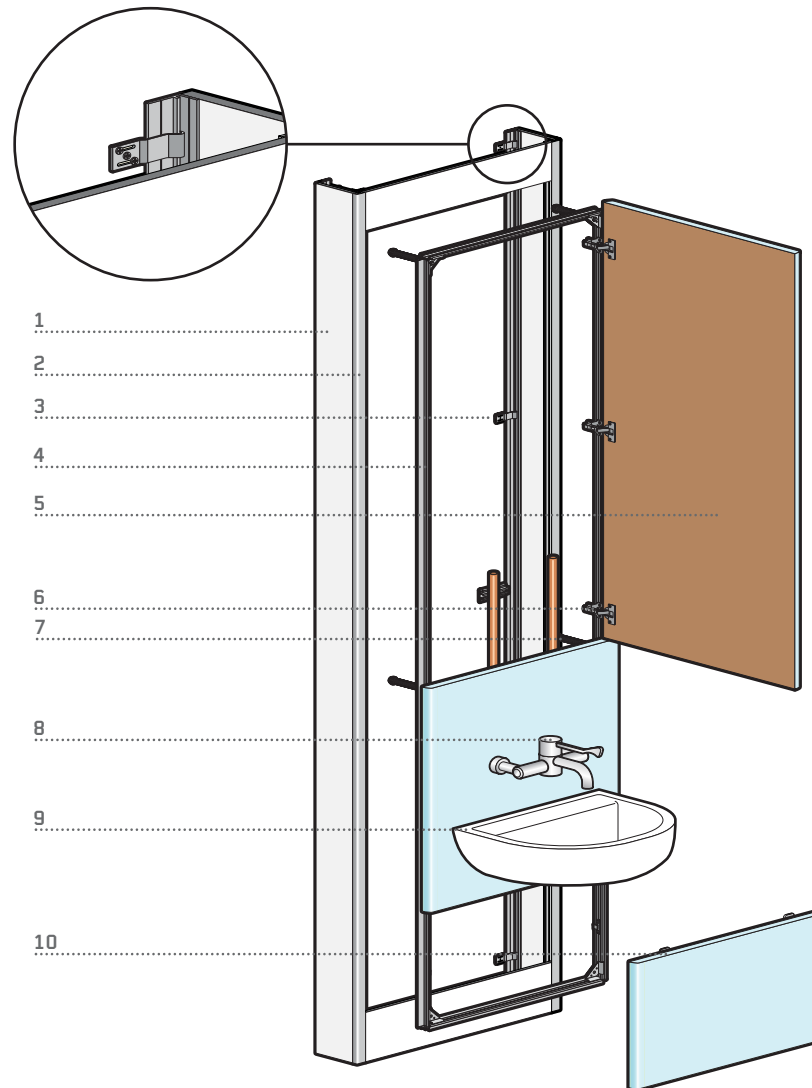
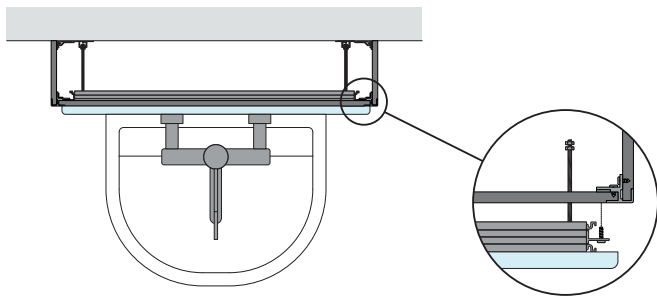
Guys and St Thomas Hospital, London
Student Medical Practice, Leeds
St Mary's Hospital, Isle of Wight
NHS Blood Centre, Manchester
Walsgrave Hospital Maternity Unit, Coventry
Brook Medical Centre, Staffordshire
Thanet Medical Centre, Kent

Boxed out unit freestanding

Boxed out units are the most frequently specified unit type and stand proud of solid or partition walls to conceal services supplied through wall, floor or ceiling. They are ideal for both new and refurbishment projects.

Boxed out units are available in a 2-part delivery for easy handling and installation (see page 9).

Plan view of RPM wall system

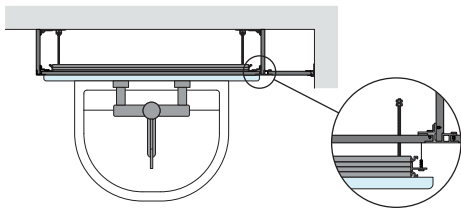
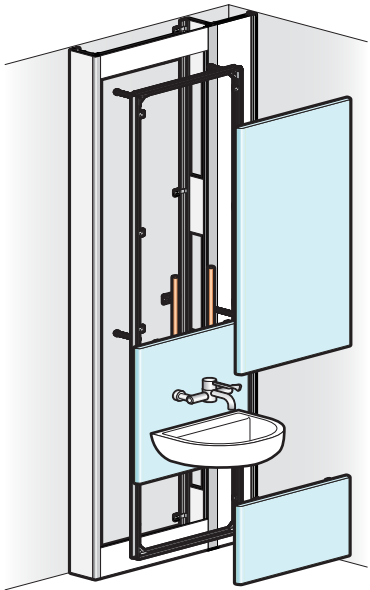


*box colours limited

- **1 Box unit***
Factory assembled Solid Grade Laminate (SGL) box is impact resistant and 100% impervious to liquids. Variable depth to accommodate service requirements.
- **2 Corner extrusions**
Flush fitted, smooth and easy to clean aluminium corner extrusions for protection of vulnerable edges and seamless joining of panels.
- **3 Wall fixing bracket**
Just 8 screws secure unit to wall in as little as 20 minutes.
- **4 Framing**
Factory assembled extruded aluminium frame with integral rail for cisterns and sanitaryware.
- **5 Panels**
Two options for consideration – SGL and HPL. SGL is highly impact resistant, easy to clean, has no sharp edges and is 100% impervious to water. HPL with smooth postformed edges is highly durable, easy to clean and water resistant.
- **6 Hinges**
Hinged, lockable panels with suited keys for security.
- **7 Tie backs**
Threaded rods adjustable in two planes tie the unit to the wall.
- **8 Brassware**
WRAS-compliant brassware specifically chosen to meet the requirements of HBN 00-10 Part C. Units are tested for leakage in a controlled factory environment prior to delivery, ensuring no disruption on site.
- **9 Sanitaryware**
A dedicated range of sanitaryware specifically chosen to meet the requirements of HBN 00-10 Part C.
- **10 Non-intrusive dowel**
Maintains consistent panel alignment without needing to drill panel lipping, reducing the potential for water ingress into vulnerable panel edges.

Boxed out unit extended flashgaps

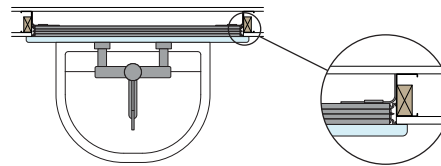
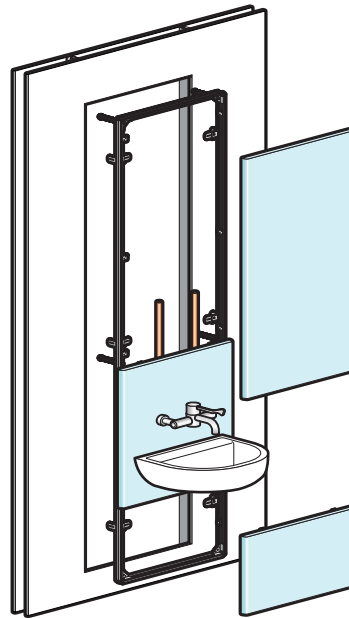
Used where additional space is required.



Boxed out unit with extended flashgap panel in SGL.

Aperture

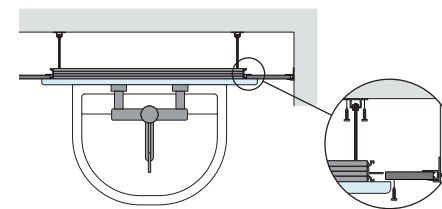
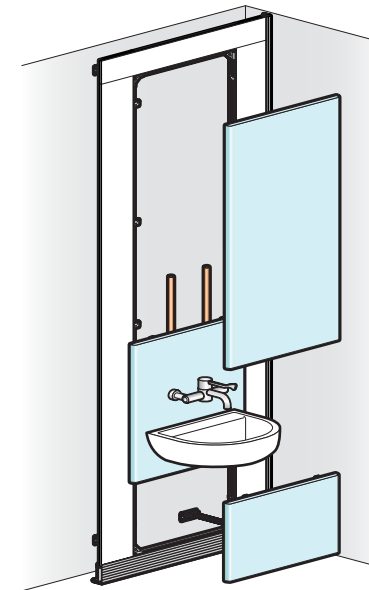
Fits within a partition wall, with the frame finishing flush to the surface and using services supplied within the wall.



Extruded aluminium frame and panels.

Duct wall system

Creates an entire wall duct where more complex configurations are required, making it ideal for disabled facilities and assisted areas.



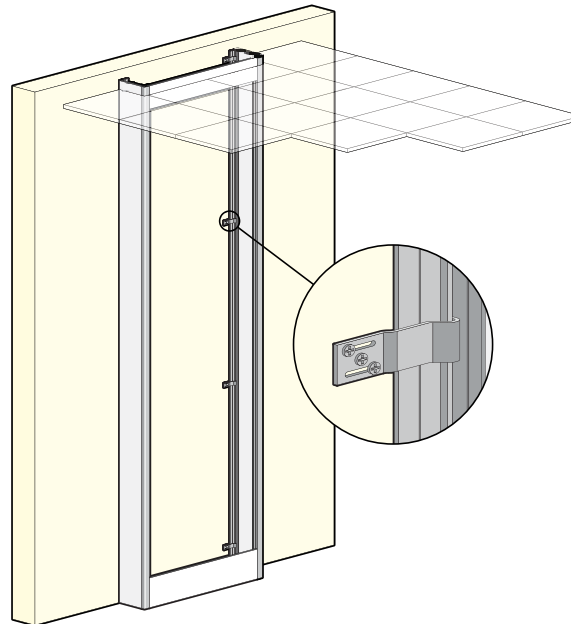
Extruded aluminium frame and panels with flashgap panels in HPL or SGL and aluminium skirting in silver or charcoal.

Boxed out unit – two phase delivery

Bushboard boxed out units have been designed to make on-site installation and handling as easy as possible by allowing for suspended ceilings and floors to be installed ahead of sanitaryware, thereby minimising the risk of damage.

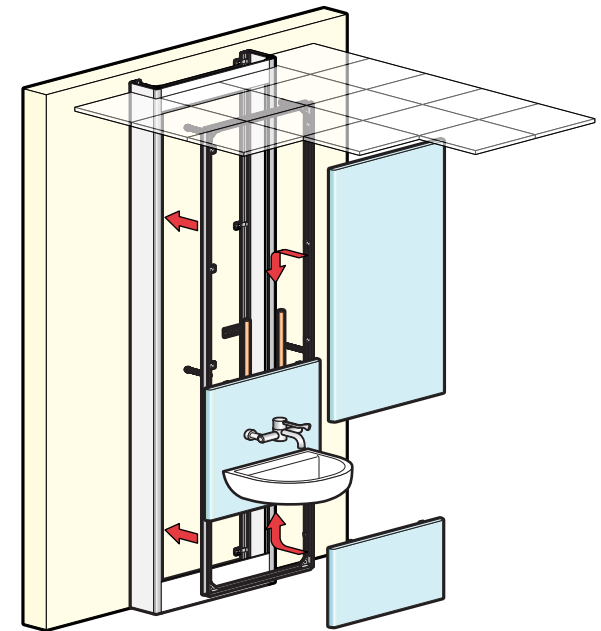
Phase 1

- Fix the box unit to the wall using specially supplied easy fix brackets.
- Units require just 8 screws to secure to wall and can be fitted in as little as 20 minutes per unit.
- Install suspended ceiling and floor ahead of sanitaryware to minimise damage.



Phase 2

- Slot the rigid aluminium frame into the boxed out unit and secure tie backs.
- Front fix with supplied self-drilling, self-tapping screws.
- Connect pipework and refit access panels.



Healthcare sanitary assemblies



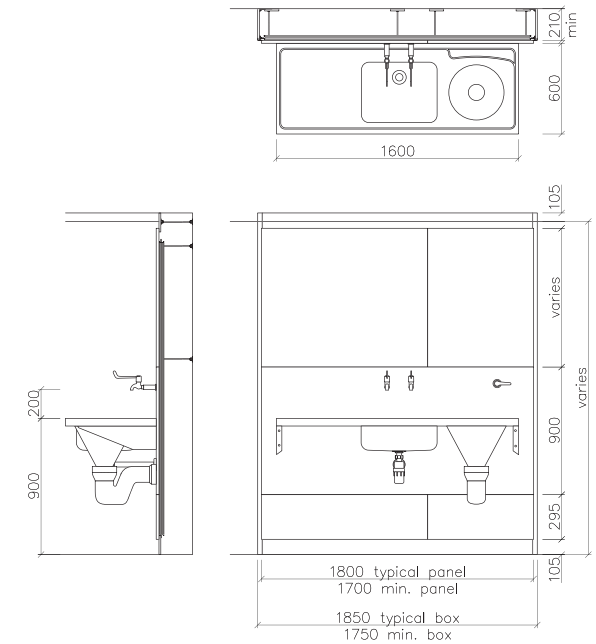
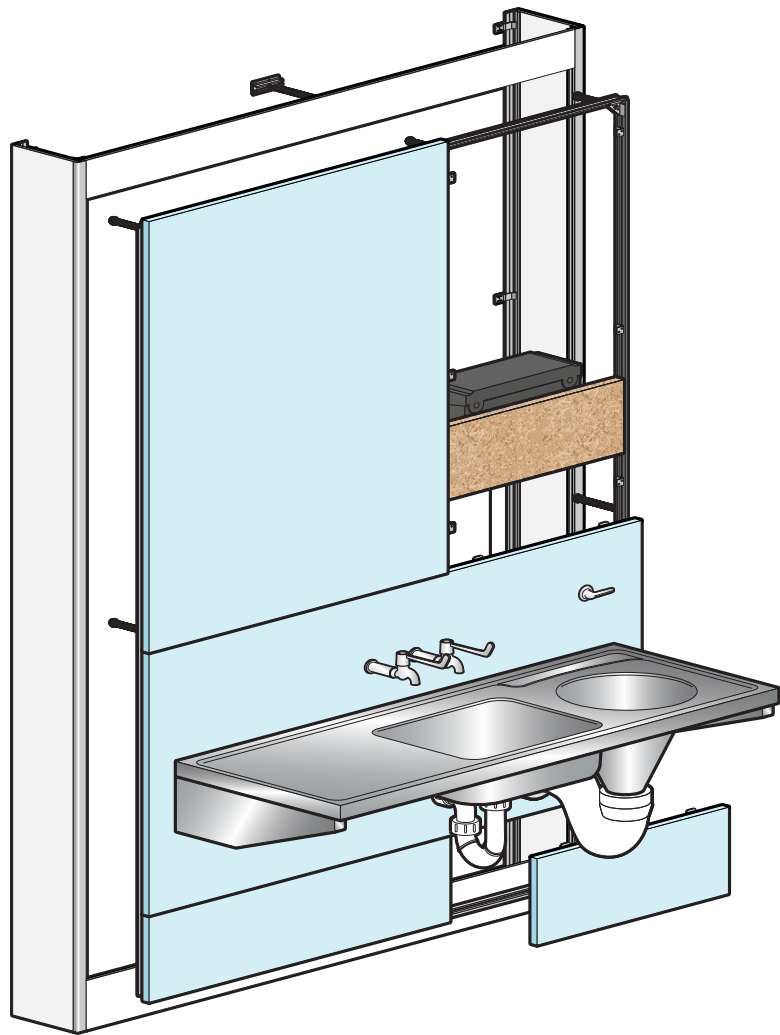
A dedicated range of sanitary assemblies for healthcare environments, specifically selected to meet the requirements of HBN00-10.



Disposal unit assembly DU HS

for the disposal of liquid and solid waste in connection with clinical procedures

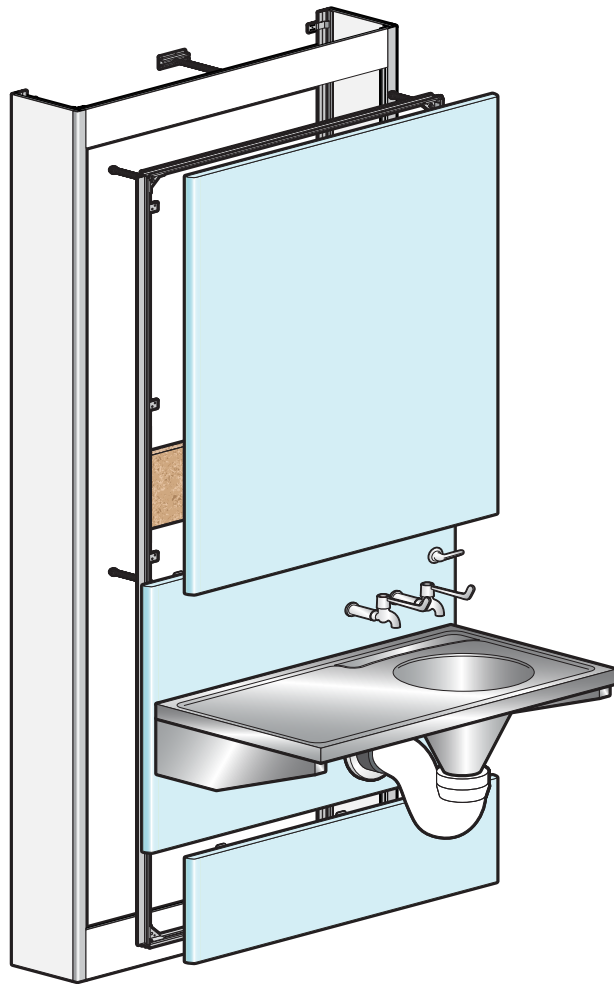
Typical room applications
 → Dirty utility/disposal



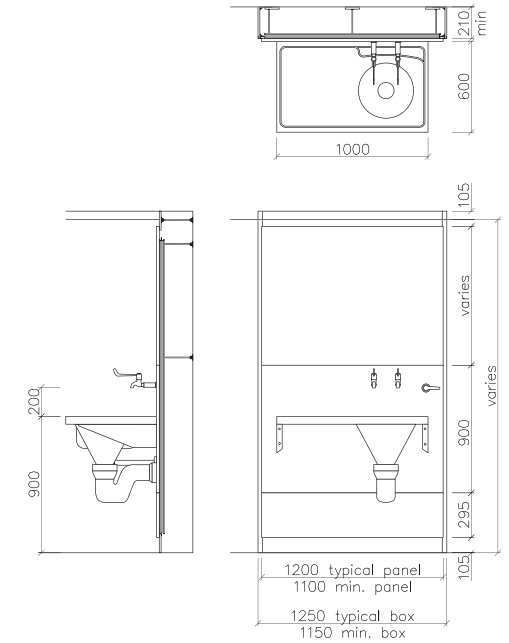
Code	Product description	Ref.	Brassware options	Ref.	Flush options
G22018L or G22018R	1600mm Disposal Unit L/H or R/H Drainer	DU HS	DLV095 Panel Mounted Lever Action Bib Taps with 6" Levers (pr) – as illustrated	TB H1	9L Plastic Cistern with Lever Flush
			SF2301CP Panel Mounted Lever Action Bib Taps (pr) ZQ5567XX extensions (single)	TB H1	9L Plastic Cistern with Lever Flush
			2 No. AT07-049 Panel Mounted Tap Spouts and AT07-011 Wave On/Off Sensors AT00-038 Conversion Kit to Copper Tails	TB H1	9L Plastic Cistern with Sensor Flush

Disposal unit assembly DU H

for the disposal of liquid and solid waste in connection with clinical procedures



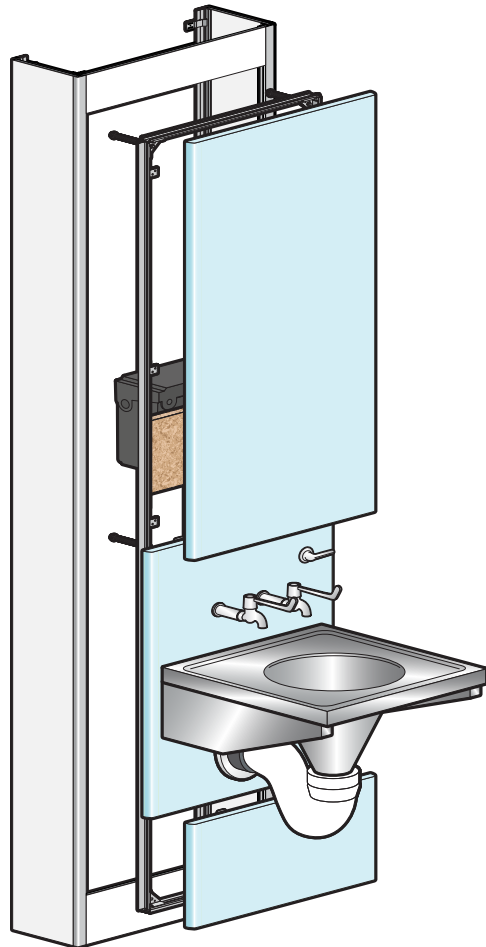
Typical room applications
 ↳ Dirty utility/disposal



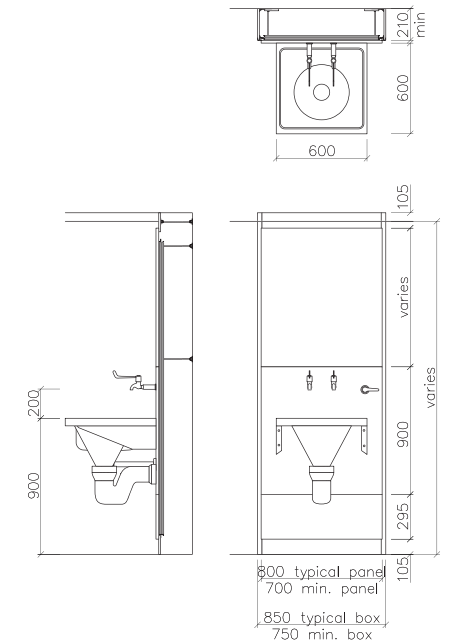
Code	Product description	Ref.	Brassware options	Ref.	Flush options
G22016L or G22016R	1000mm Disposal Unit L/H or R/H Drainer	DU H	DLV095 Panel Mounted Lever Action Bib Taps with 6" Levers (pr) – as illustrated	TB H1	9L Plastic Cistern with Lever Flush
			SF2301CP Panel Mounted Lever Action Bib Taps (pr) ZQ5567XX extensions (single)	TB H1	9L Plastic Cistern with Lever Flush
			2 No. AT07-049 Panel Mounted Tap Spouts and AT07-011 Wave On/Off Sensors AT00-038 Conversion Kit to Copper Tails	TB H1	9L Plastic Cistern with Sensor Flush

Disposal unit assembly DU

for the disposal of liquid and solid waste in connection with clinical procedures



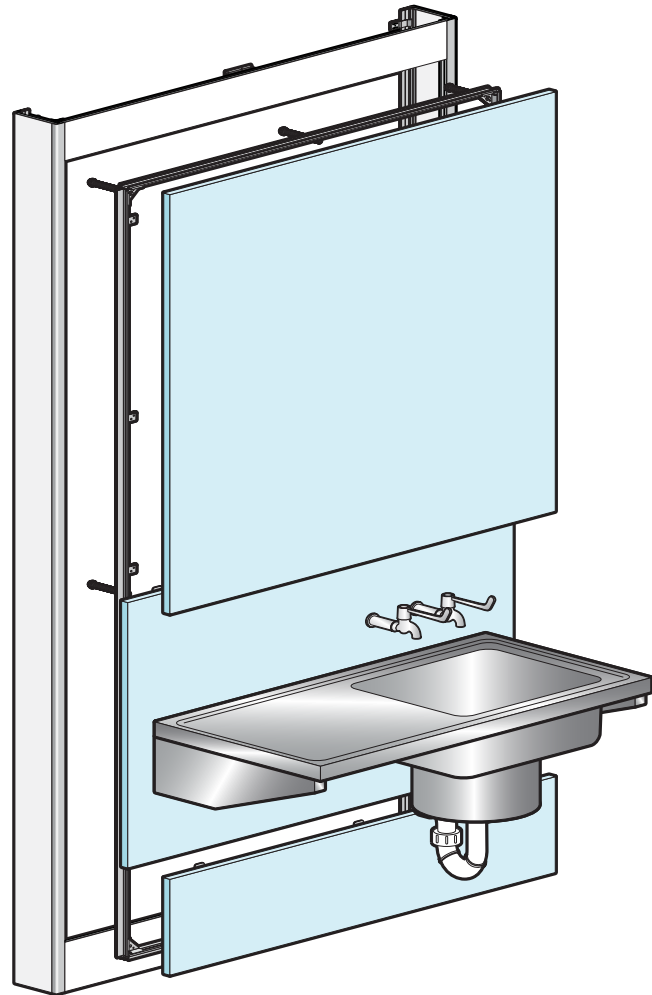
Typical room applications
 → Dirty utility/disposal



Code	Product description	Ref.	Brassware options	Ref.	Flush options
G22041N	600mm Disposal Hopper	DU	DLV095 Panel Mounted Lever Action Bib Taps with 6" Levers (pr) – as illustrated	TB H1	9L Plastic Cistern with Lever Flush
			SF2301CP Panel Mounted Lever Action Bib Taps (pr) ZQ5567XX extensions (single)	TB H1	9L Plastic Cistern with Lever Flush
			2 No. AT07-049 Panel Mounted Tap Spouts and AT07-011 Wave On/Off Sensors AT00-038 Conversion Kit to Copper Tails	TB H1	9L Plastic Cistern with Sensor Flush

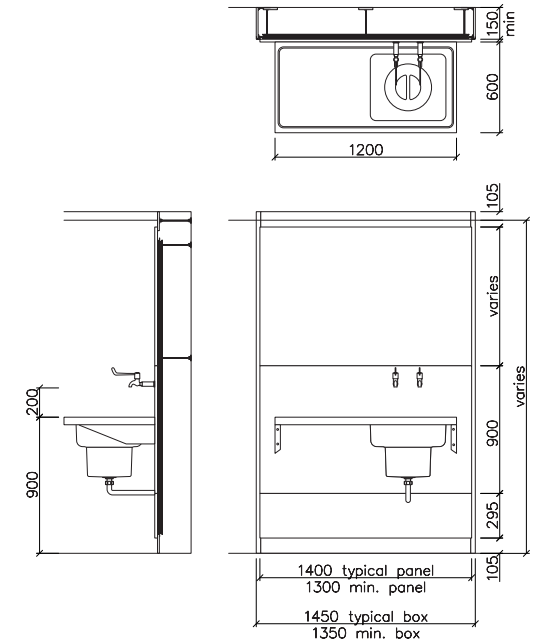
Plaster sink assembly PS H

for use in connection with plaster preparation



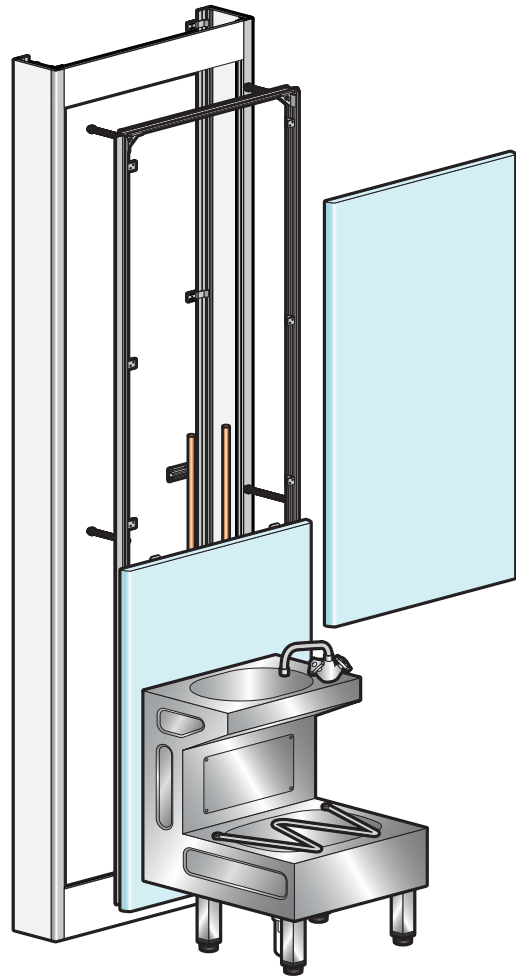
Typical room applications

→ Plaster rooms

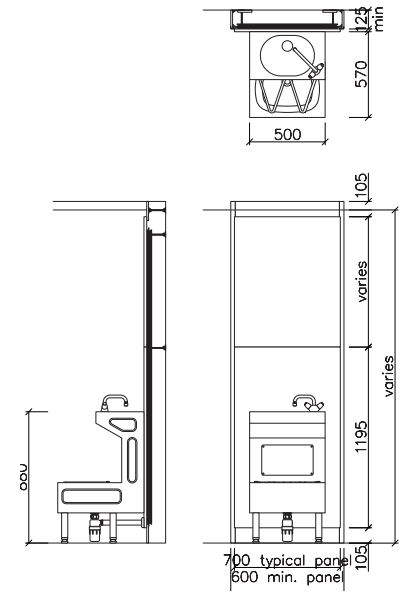


Code	Product description	Ref.	Brassware options	Ref.
G22000L or G22000R	1200mm Plaster Sink	PS H	DLV095 Panel Mounted Bib Taps with 6" Levers (pr) – as illustrated ZQ5567XX extensions (single)	TB H1
			SF2301CP Panel Mounted Lever Action Bib Taps (pr) ZQ5567XX extensions (single)	TB H1
			2 No. AT07-049 Panel Mounted Tap Spouts and AT07-011 Wave On/Off Sensors AT00-038 Conversion Kit to Copper Tails	TB H1

Janitorial unit JU



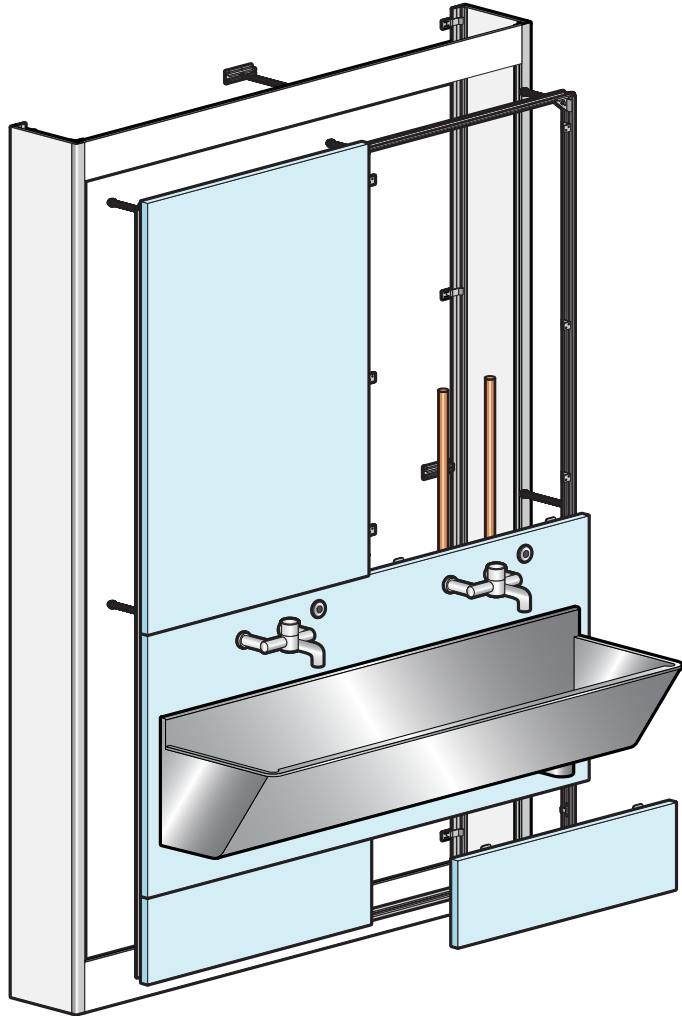
Typical room applications
 → Cleaners' rooms



Code	Product description	Ref.
G20050N	Janitorial Unit c/w Monobloc Tap	JU

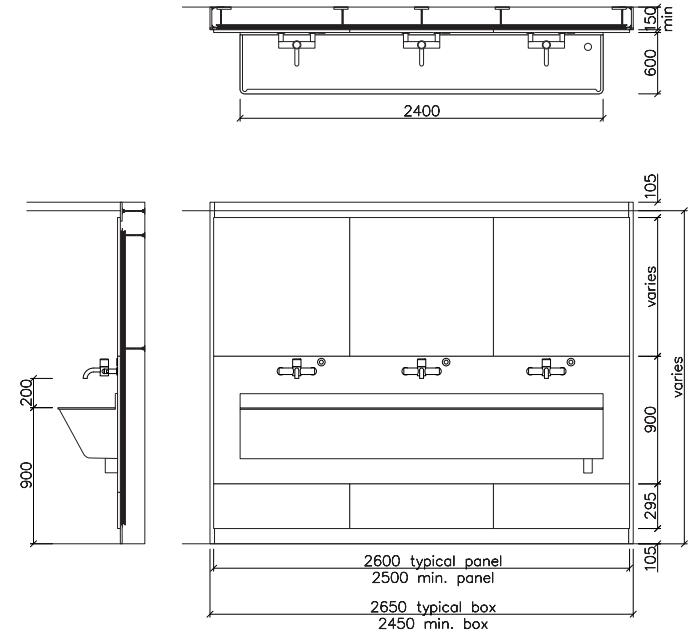
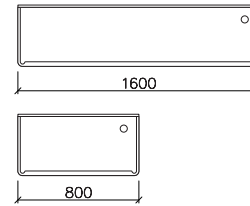
Scrub-up trough assemblies SU H1, SU H2, SU H3

for use in connection with surgical washing of forearms and hands



Typical room applications

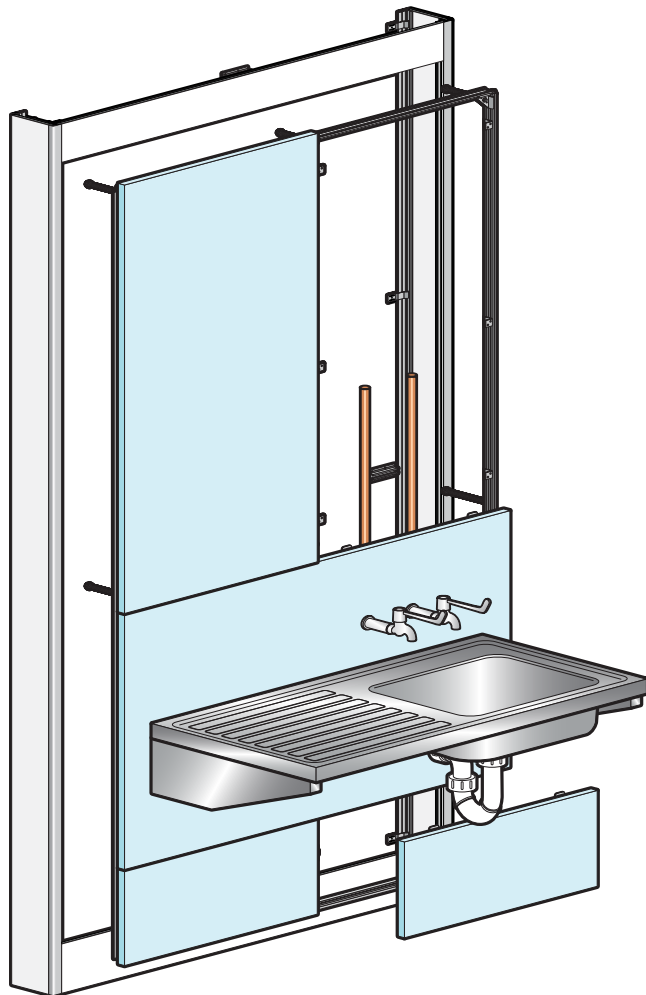
- Theatres
- Scrub-up areas



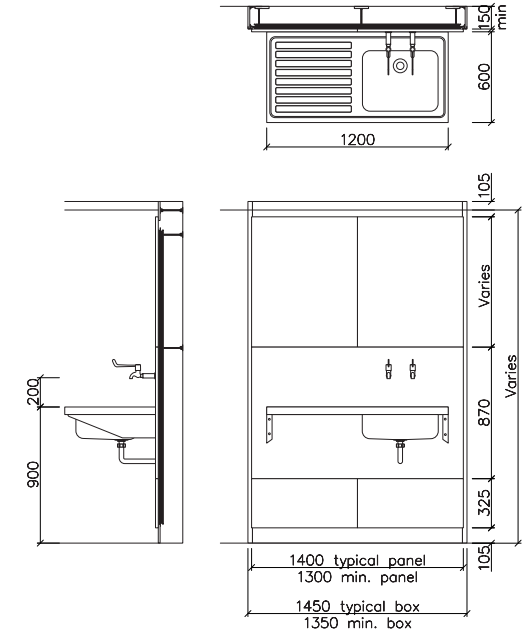
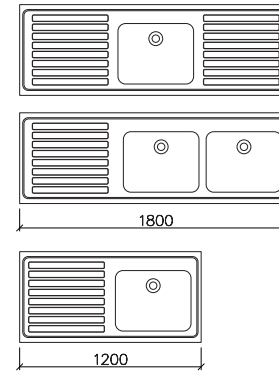
Code	Product description	Ref.	Brassware options	Ref.
G22029L or G22029R	Scrub-up Trough Single L/H or R/H Outlet	SU H1	SCTHTMLV1 Thermostatic Sequential Panel Mounted Lever Action Tap TMV3	TB H2a
			SCTHTMSR1 Thermostatic Panel Mounted Infrared Sensor Tap TMV3 (battery) – as illustrated	TB H6
			AT04-001 AquariTherm Panel Mounted Sensor Tap	TB H6
G22030L or G22030R	Scrub-up Trough Double L/H or R/H Outlet	SU H2	MT04-001 Manual AquariTherm Panel Mounted Lever Action Tap	TB H2a
			SF1056CP Thermostatic Sequential Panel Mounted Lever Action Tap TMV3	TB H2a
			SF1119CP Thermostatic Panel Mounted Infrared Sensor Tap TMV3 (battery)	TB H6
			SF1020CP Electric 240v Conversion Kit	
G22031L or G22031R	Scrub-up Trough Triple L/H or R/H Outlet	SU H3	AT02-053 200mm Panel Mounted Scrub-up Tap Spout and Sensor	TB H6
			AT00-038 Conversion to Copper Tails	

Sink and sink top assemblies ST A, ST B, ST C

for use in connection with clinical procedures



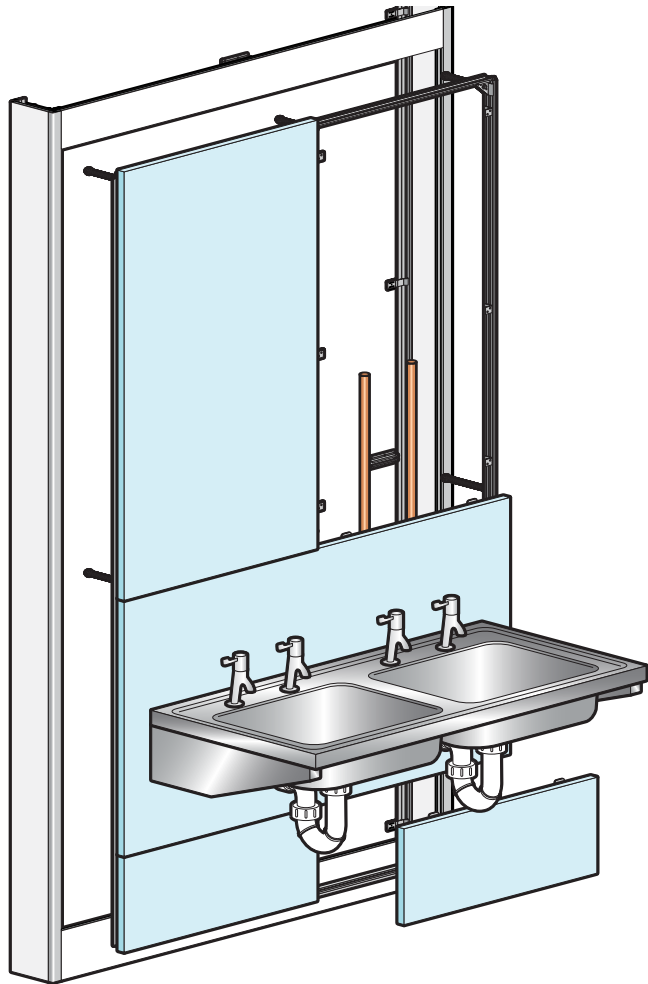
Typical room applications
 → Dirty utility rooms



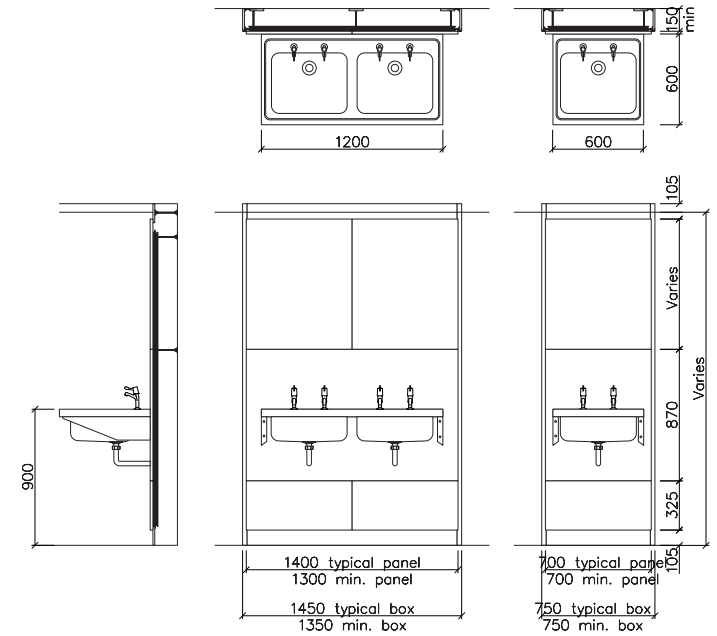
Code	Product description	Ref.	Brassware options	Ref.
G22006L or G22006R	1200mm Single Bowl Single Drainer L/H or R/H Drainer No Tap Holes	ST A	DLV095 Panel Mounted Lever Action Bib Taps with 6" Levers (pr) – as illustrated	TB H1
G22008D	1800mm Single Bowl Double Drainer No Tap Holes	ST B	ZQ5567XX extensions (single)	
G22010L or G22010R	1800mm Double Bowl Single Drainer L/H or R/H Drainer No Tap Holes	ST C		

Sink and sink top assemblies SK 1, SK 2

for use in connection with domestic service procedures



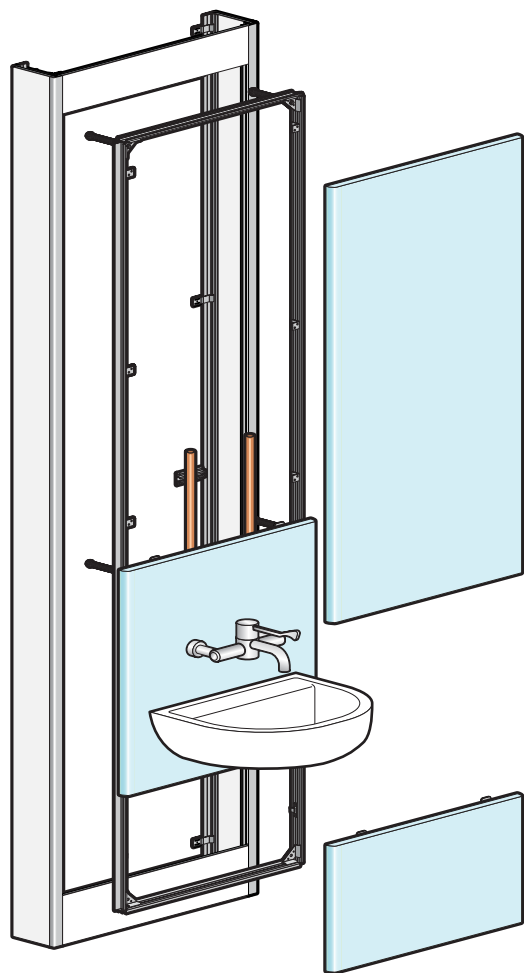
Typical room applications
→ Cleaners' rooms



Code	Product description	Ref.	Brassware options	Ref.
G22002NT	Single Bowl Hospital Sink 2 Tap Holes	SK 1	SF2403CP High Neck Basin Mounted Lever Action Pillar Taps – as illustrated	TP3
G22004NT	Double Bowl Hospital Sink 2 Tap Holes	SK 2	SF2704CP 6" Extended Levers available if required	

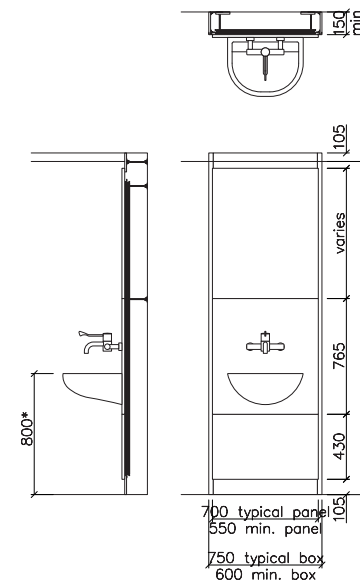
Basin assembly LB H M

for use in connection with clinical procedures



Typical room applications

- 4/6 bed wards
- Single bed wards
- Dirty utility
- Clean utility
- Treatment rooms
- Consulting rooms

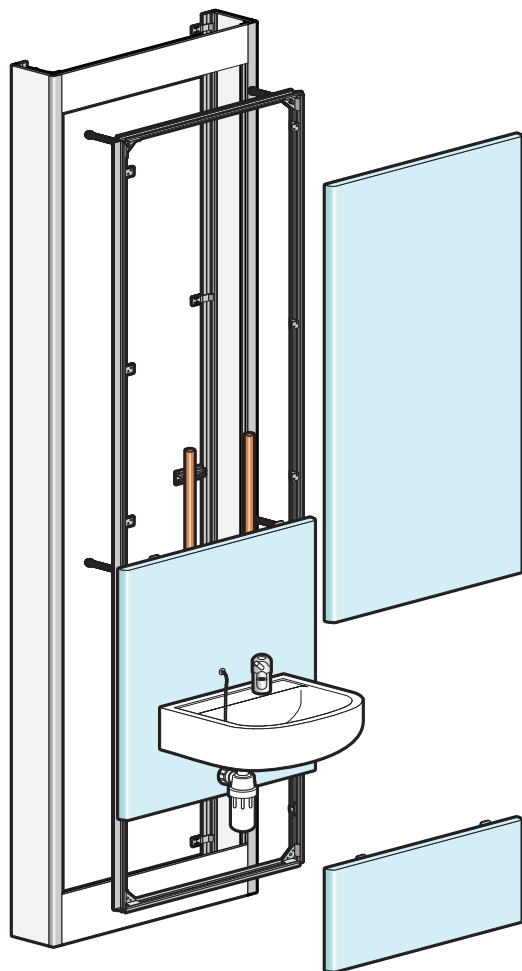


*680-700mm lip height available if required. For seated/wheelchair use as recommended in HBN00-10 Part C.

Code	Product description	Ref.	Brassware options	Ref.
CHBWH50B0	Chartham Clinical Basin 500 No Tap Hole, Overflow or Chain Hole Back Outlet	LB H M	SCTHTMLV1 Thermostatic Sequential Panel Mounted Lever Action Tap TMV3 – as illustrated	TB H2a
			SCTHTMSR1 Thermostatic Panel Mounted Infrared Sensor Tap TMV3 (battery)	TB H6
			AT04-001 AquariTherm Panel Mounted Sensor Tap	TB H6
SA4280WH	Sola Spectrum Clinical Basin 500 No Tap Hole, Overflow or Chain Hole Back Outlet	LB H M	MT04-001 Manual AquariTherm Panel Mounted Lever Action Tap	TB H2a
			SF1056CP Thermostatic Sequential Panel Mounted Lever Action Tap TMV3	TB H2a
			SF1119CP Thermostatic Panel Mounted Infrared Sensor Tap TMV3 (battery) SF1020CP Electric 240v Conversion Kit	TB H6
			AT02-022 250mm Panel Mounted Tap Spout and Sensor with Copper Tails	TB H6

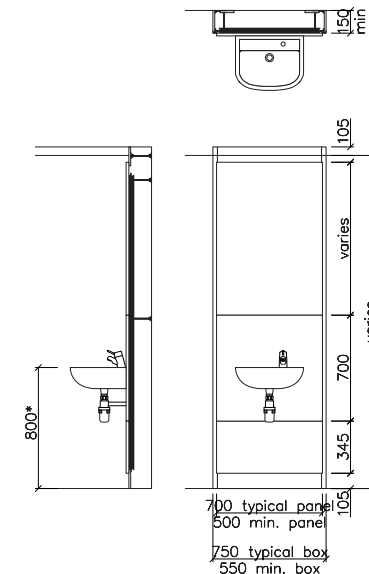
Basin assemblies LB G M and LB G L

for use in connection with personal washing



Typical room applications

- Ensuites
- Bathrooms

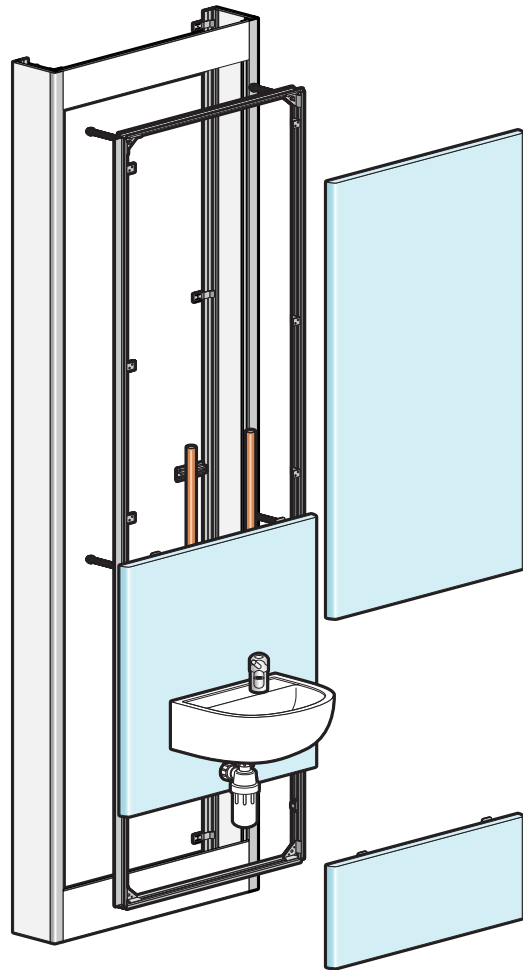


*680-700mm lip height available if required. For seated/wheelchair use as recommended in HBN 00-10 Part C.

Code	Product description	Ref.	Brassware options	Ref.
CHBWH50RH	Chartham Medical Wash Basin 500 RH Tap Hole No Overflow or Chain Hole	LB G M	SCTDMSEQ1 Thermostatic Sequential Basin Mounted Lever Action Mixer Tap TMV3 – as illustrated SCTDMTAIL Conversion Kit for Copper Tails	TP6
CHBWH50T	Chartham Medical Wash Basin 500 2 Tap Holes No Overflow or Chain Hole		AT03-021 A45 Basin Mounted Sensor Tap with Copper Tails DLT101 Basin Mounted Lever Action Pillar Taps (pr)	TP6 TP5
SA4255WH or SA4355WH	Sola Medical Wash Basin 500 or 600 RH Tap Hole No Overflow or Chain Hole	LB G M or LB G L	SF1053CP Thermostatic Basin Mounted Lever Action Mixer Tap TMV3 AT03-021 A45 Basin Mounted Sensor Tap with Copper Tails	TP6 TP6
SA4252WH or SA4352WH	Sola Medical Wash Basin 500 or 600 2 Tap Holes No Overflow or Chain Hole		SF2401 CP Basin Mounted Lever Action Pillar Taps (pr) SF2704 CP 6" Extended Levers available if required	TP5

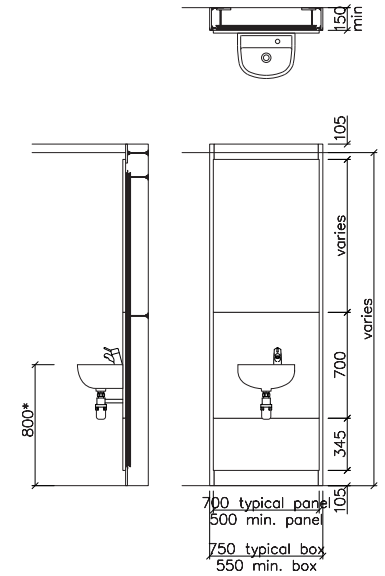
Basin assembly LB G S

for hand rinsing only



Typical room applications

- ↳ Patient WCs
- ↳ Staff WCs

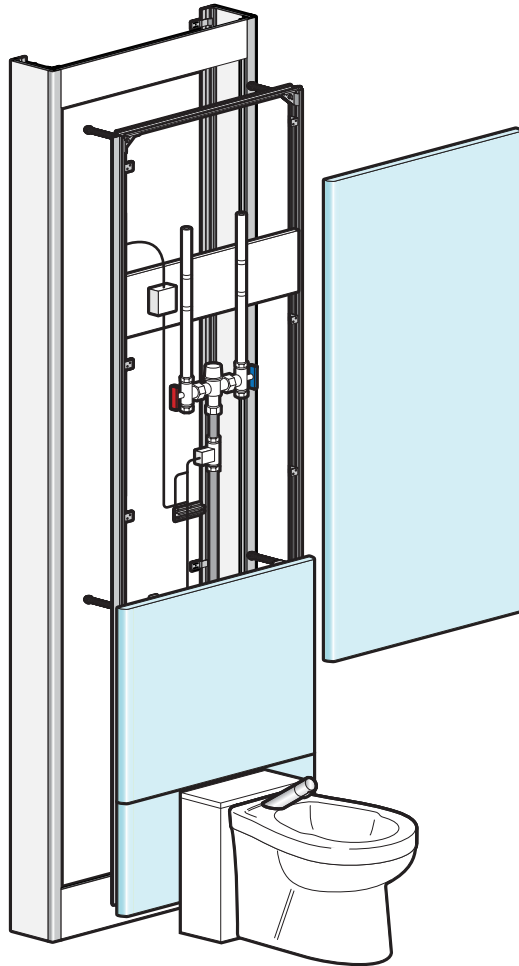


*680-700mm lip height available if required. For seated/wheelchair use as recommended in HBN 00-10 Part C.

Code	Product description	Ref.	Brassware options	Ref.
CHBWH3BRH	Chartham Medical Handrinse Basin 380 RH Tap Hole, No Overflow or Chain Hole	LB G S	SCTDMSEQ1 Thermostatic Sequential Basin Mounted Lever Action Mixer Tap TMV3 – as illustrated SCTDMTAIL Conversion kit for Copper Tails	TP6
CHBWH3BLH	Chartham Medical Handrinse Basin 380 LH Tap Hole, No Overflow or Chain Hole	LB G S	AT03-022 A45 Short Basin Mounted Sensor Tap with Copper Tails	TP6
SA4155WH	Sola Medical Handrinse Basin 400 RH Tap Hole, No Overflow or Chain Hole	LB G S	SF1053CP Thermostatic Basin Mounted Lever Action Mixer Tap TMV3	TP6
SA4156WH	Sola Medical Handrinse Basin 400 LH Tap Hole, No Overflow or Chain Hole LBGS	LB G S		

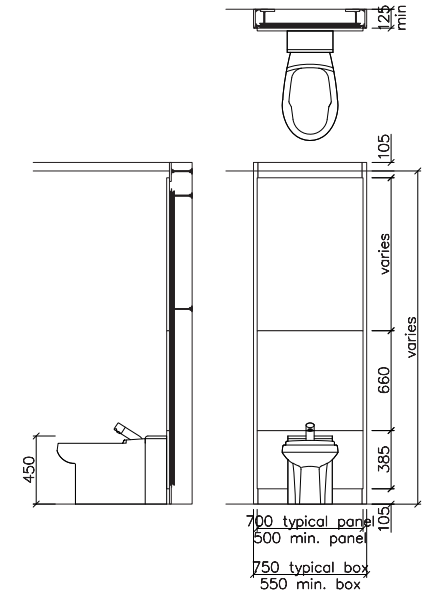
Bidet assembly BD H

for use in connection with clinical procedures



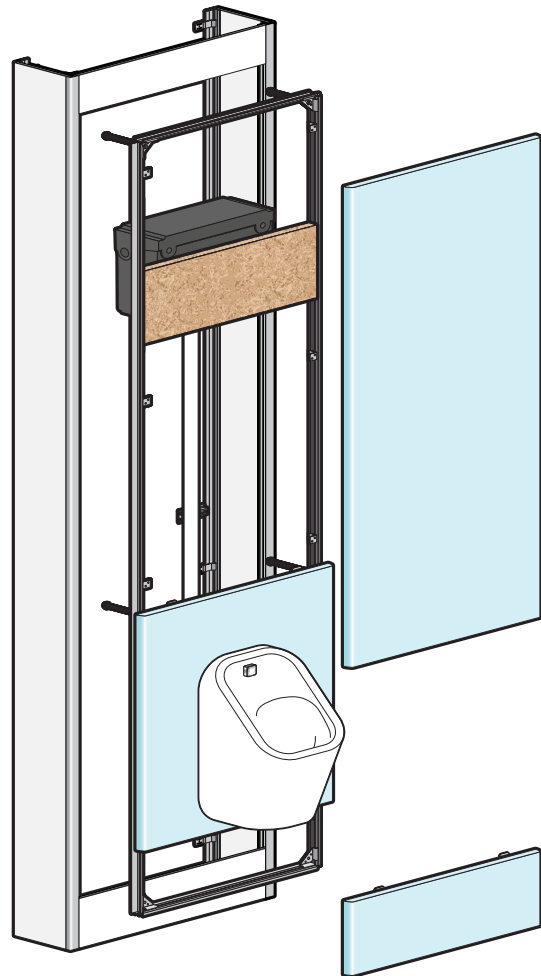
Typical room applications

- Ensuites
- Bathrooms



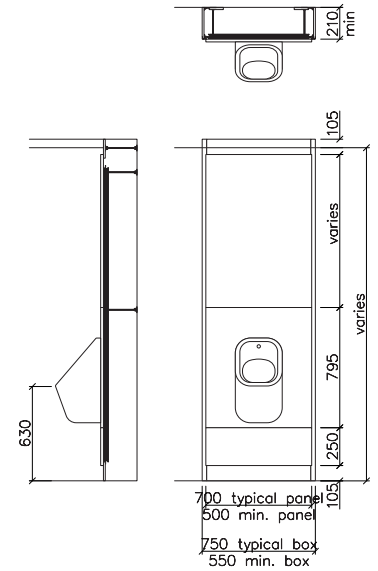
Code	Product description	Ref.	Brassware options	Ref
SA3521WH	Sola Bidet 1 Tap Hole, No Overflow or Chain Hole	BD H	AT03-021 A45 Basin Mounted Sensor Tap with Copper Tails	TP6

Hospital pattern urinal UR H



Typical room applications

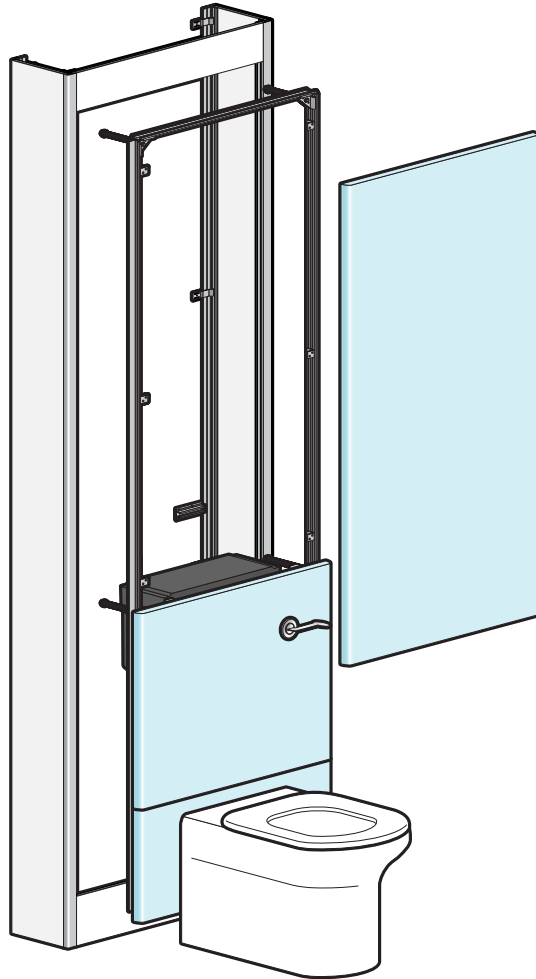
- Public areas
- Staff areas



Code	Product description	Ref.	Flushing options
CHURINLCT	Chartham Concealed Trap Urinal	UR H	Auto Cistern
VC7004WH	Spectrum Concealed Trap Urinal	UR H	Infrared Sensor Flush Control

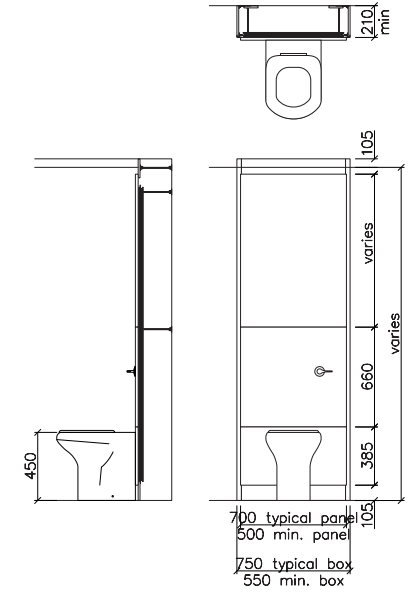
WC WC H

for fully ambulant and ambulant disabled users



Typical room applications

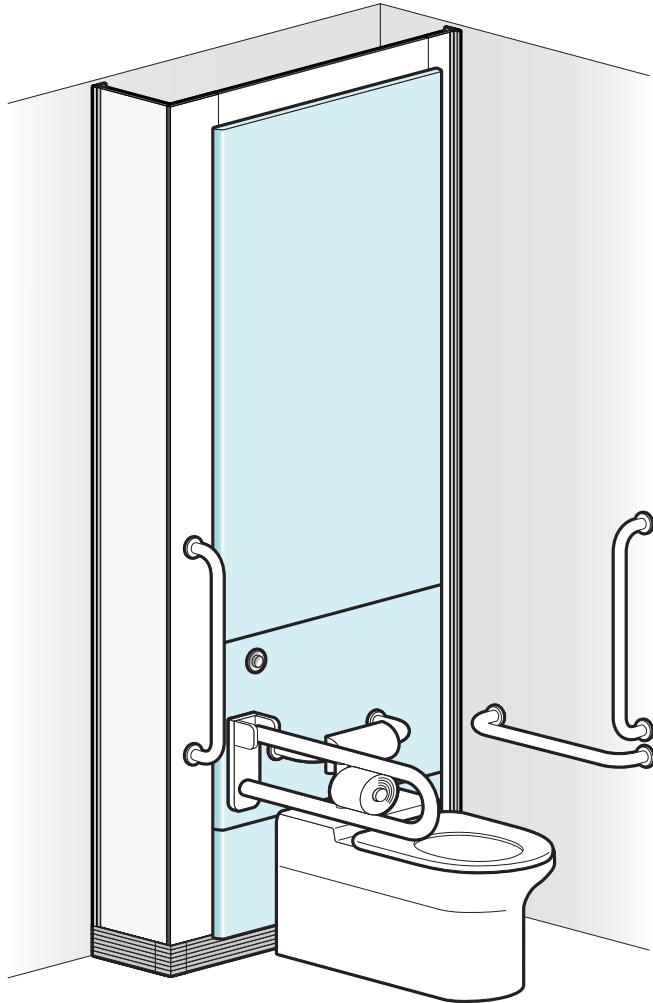
- Staff areas
- Public areas
- Patient WCs
- Ensuites



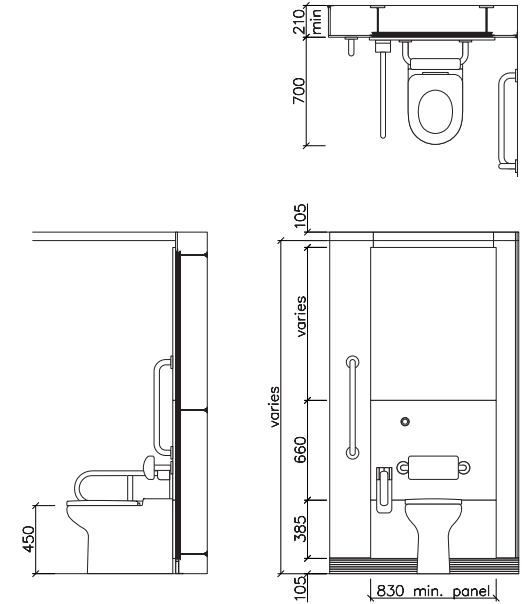
Code	Product description	Ref.	Flush/Cistern options	Seat options
CHWCBTW48	Chartham Rimless 480 BTW WC Pan Raised Height	WC H	6L Cistern with Lever – as illustrated	CHSEATSPW Chartham Seat White CHSEATSPB Chartham Seat Blue CHSEATSFT Cover and Soft Close Seat White
			6L Pneumatic Single Flush Cistern with Palm Push	
			6/4L Pneumatic Dual Flush Cistern with Dual Flush Plate	
			6L Cistern with Sensor Flush	
AV1968WH	Avalon Rimless BTW WC Pan Raised Height	WC H	6L Low Level Cistern with Lever	AV7861WH Ring Seat White AV7861BE Ring Seat Blue AV7861GY Ring Seat Grey
			6L Pneumatic Single Flush Cistern with Push Button	
			6/4L Pneumatic Dual Flush Cistern with Dual Flush Plate	
			6L Cistern with Sensor Flush	

WC WC HD

for assisted ambulant disabled/wheelchair users

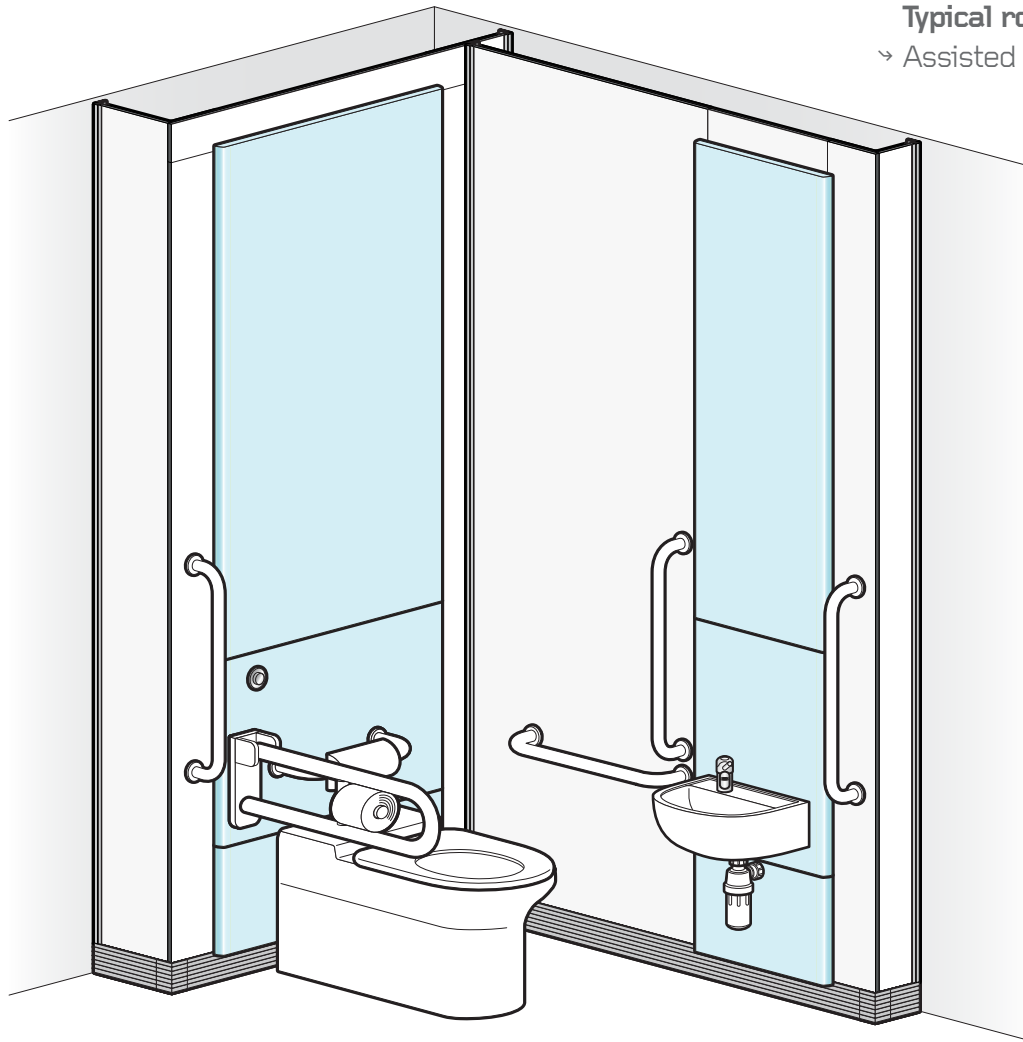


Typical room applications → Assisted WCs

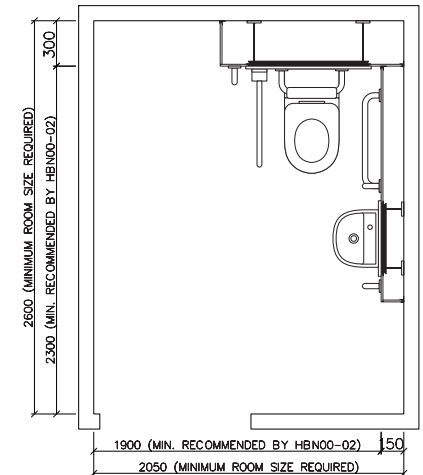
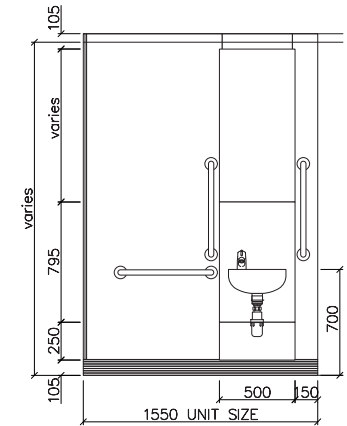
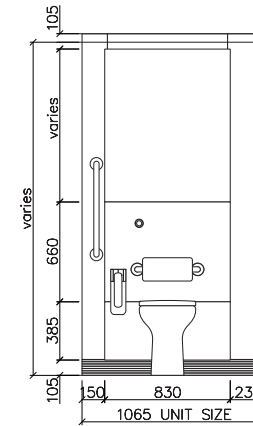


Code	Product description	Ref.	Flush/Cistern options	Grab rails and back rest	Seat options
CHWCBTW70	Chartham Rimless 700 BTW WC Pan Raised Height	WC HD	6L Cistern with Extended Lever	DM0190WH/BL Grab Rail Kit White/Blue DM0167WH/BL Back Rest White/Blue	CHSEATSPW Chartham Seat White CHSEATSPB Chartham Seat Blue CHSEATSFT Cover and Soft Close Seat White
			6L Pneumatic Single Flush Cistern with Palm Push – as illustrated		
			6/4L Pneumatic Dual Flush Cistern with Dual Flush Plate		
			6L Cistern with Sensor Flush		
AV1498WH	Avalon Rimless 700 BTW WC Pan Raised Height	WC HD	6L Low Level Cistern with Lever	GR76032WH/BL Hinged Support Rail White/Blue GR60035WH/BL Grab Rail x4 White/Blue DM0167WH/BL Back Support with Cushion White/Blue	AV7861WH Ring Seat White AV7861BE Ring Seat Blue AV7861GY Ring Seat Grey
			6L Pneumatic Single Flush Cistern with Push Button		
			6/4L Pneumatic Dual Flush Cistern with Dual Flush Plate		
			6L Cistern with Sensor Flush		

Typical ensuite and assisted WC areas



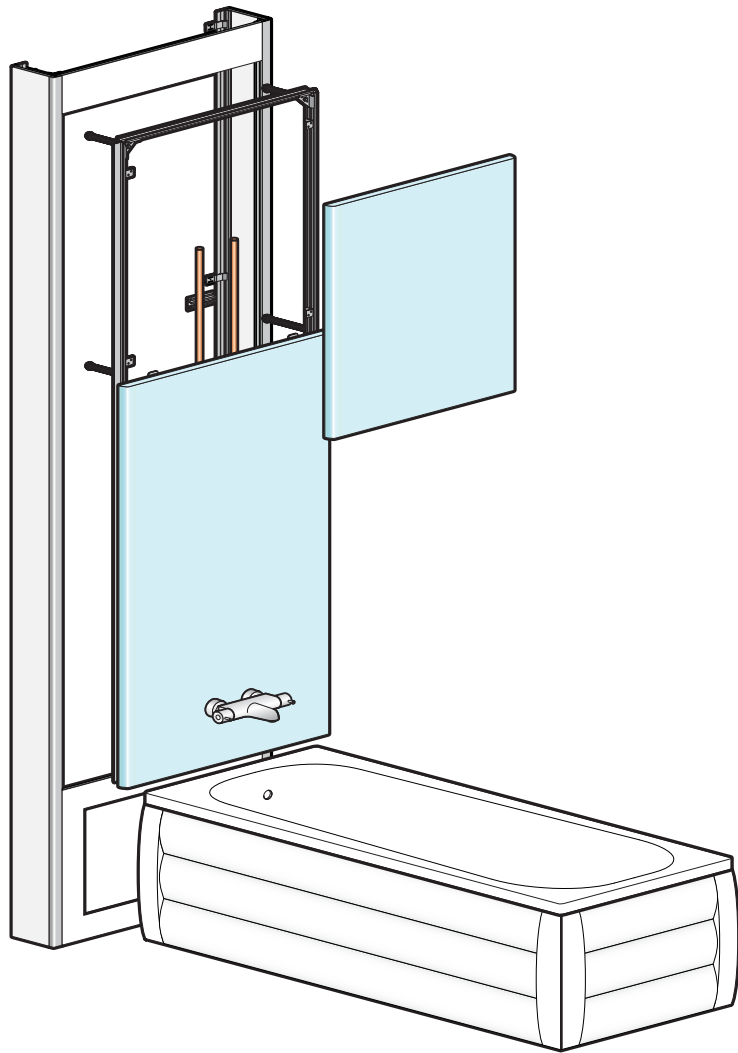
Typical room applications
 → Assisted WCs



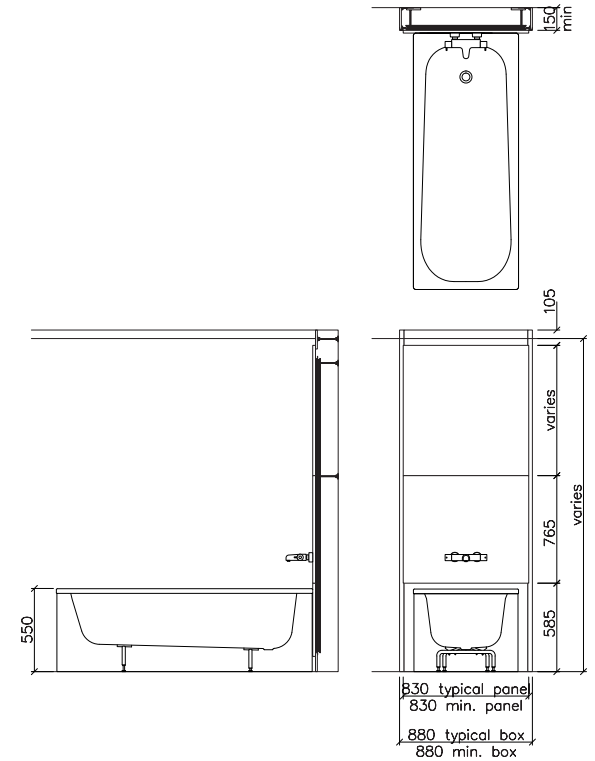
See pages 21 and 25 for product specifications.

Bath assembly BA G

for use in connection with personal bathing

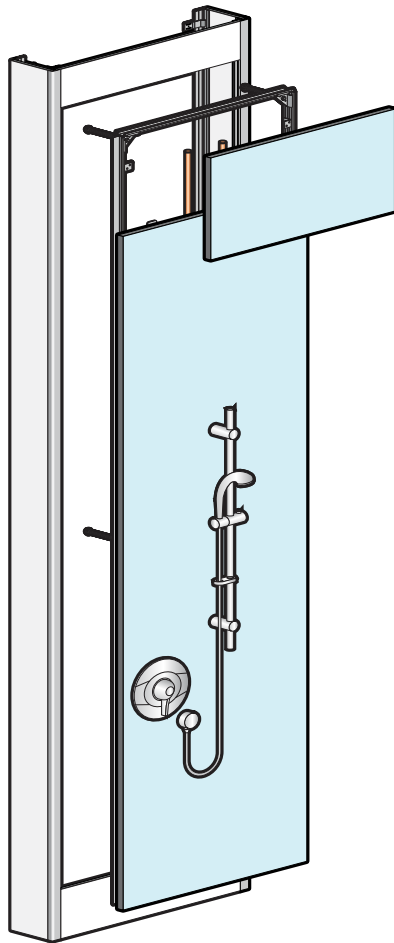


Typical room applications
 → Bathrooms



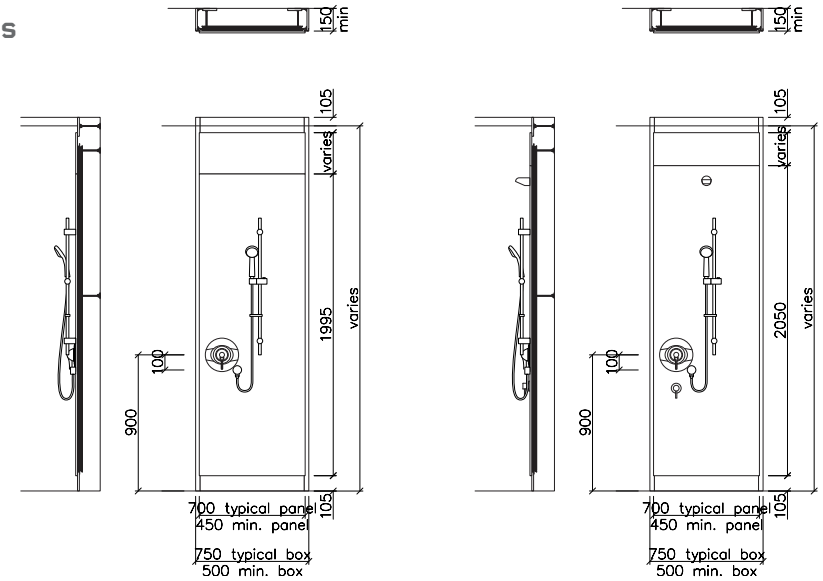
Code	Product description	Ref.	Brassware options	Ref.	Fittings and waste	Thermostatic mixing TMV3
NE9590WH	Neptune 1700 Steel Bath No Tap Holes and No Handgrips	BA G	AC50010CP Thermostatic Panel Mounted Lever Action Bath Filler TMV3 – as illustrated	TB6	WF5344CP	AC17-047
			VR01-024 High Security Bath Filling Backplate	TB6		

Typical shower assembly TM1



Typical room applications

- ↳ Ensuities
- ↳ Bathrooms



Code	Product description	Operation	Ref.
B9306AA	Single Function Handspray, 900mm Rail and 1800mm Spiral Hose	SCSSEQCN1 Thermostatic Sequential Lever Operated Concealed Shower Valve TMV3 - as illustrated SF1155CP Sola Thermostatic Sequential Lever Operated Concealed Shower Valve SH07-010 Wave On/Off Sensor, SH00-011 Temperature Blending Valve and AC17-047 TMV	TM 1
AVSH001	Fixed Panel Mounted Shower Head	SH07-010 Wave On/Off Sensor, SH00-011 Temperature Blending Valve and AC17-047 TMV	TM 1

If combined shower head options are required, the SF1204CP Panel Mounted Diverter Valve is required

Mental healthcare



A range of pre-plumbed solutions developed specifically for high or low security applications.



Safe ensembles

Developed in partnership with Dart Valley Systems, Ready Plumbed Modules for safe ensembles combine a dedicated range of high or low security sanitaryware with the Bushboard rigid aluminium frame and panel system.

The result is a range of ready plumbed solutions that are manufactured to the highest quality and are quick and simple to install.

Panels are manufactured exclusively from high density Solid Grade Laminate (SGL), a strong, highly impact resistant material that is robust, durable and impervious to water, whilst the pre-built rigid frame is manufactured from extruded aluminium.

Sanitaryware

Our range of high and low security sanitaryware offers the option of floor mounted or panel mounted WCs with sensor flush options that are both vandal proof and virtually ligature free.

High Security Sanitaryware

Unlike conventional sanitaryware, the structure of safe ensuite products is virtually indestructible. An attractive alternative to stainless steel, this high impact resistant sanitaryware is manufactured from anti-shatter moulded resin.

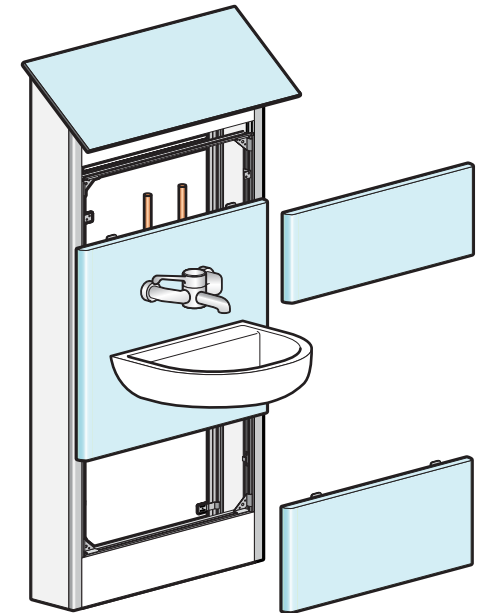
Finished with a sanitaryware grade gel-coating which provides high chemical resistance, these WCs and washbasins are of a unique and unrivalled design and are both hygienic and attractive.

Low Security Sanitaryware

Alternative sanitaryware can be used in low risk areas.

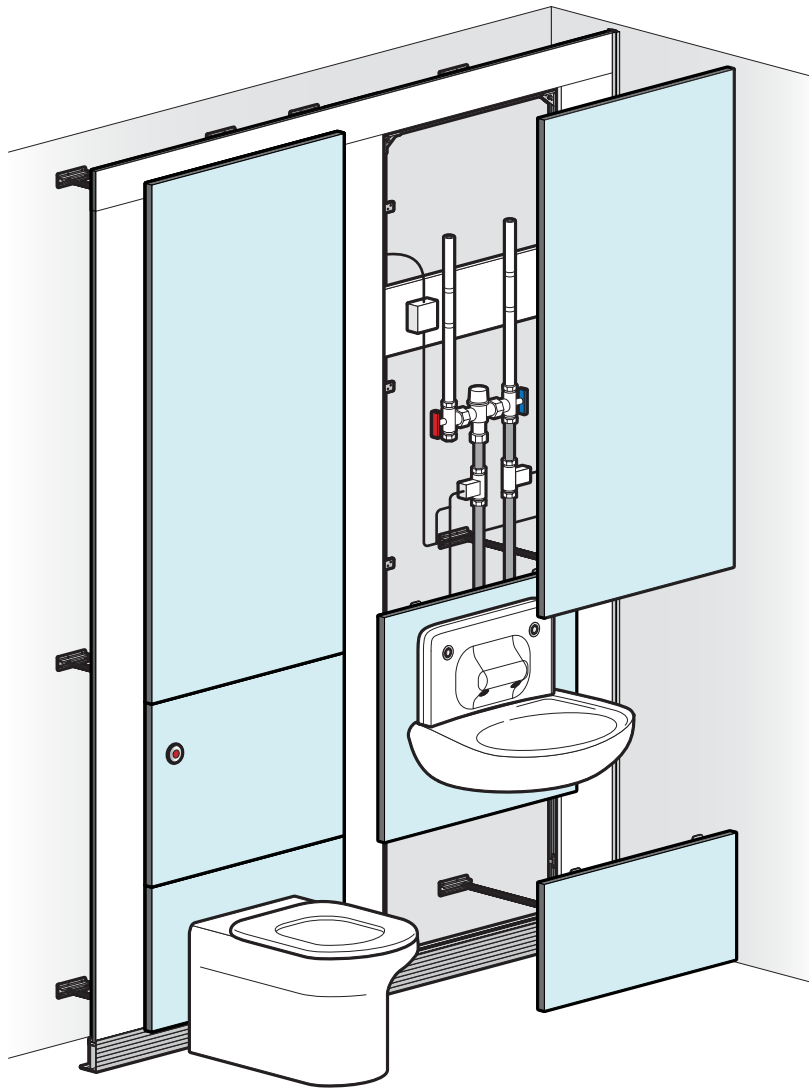
Shelf Height Boxed Out Unit with Sloping Lid

As well as floor to ceiling height units, half height Ready Plumbed Modules are available with sloping lids, designed for low and high risk areas.



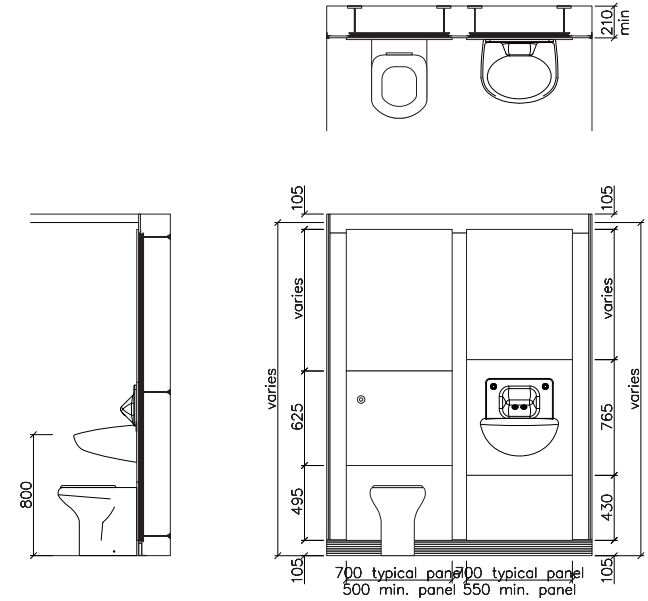
Unfortunately we cannot guarantee protection against those intent on self harm, but consider the designs and precautions taken are to a very high standard, thus reducing the risks significantly.

Low risk with back to wall WC



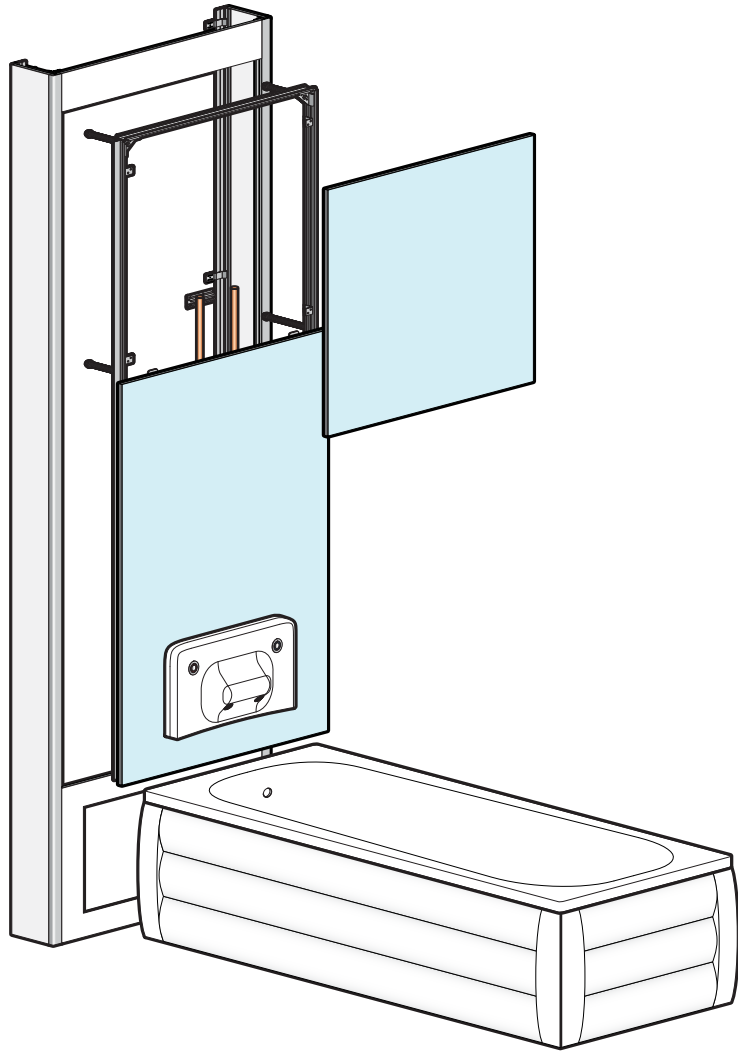
Typical room applications

- ↳ Patient WCs
- ↳ Ensuites



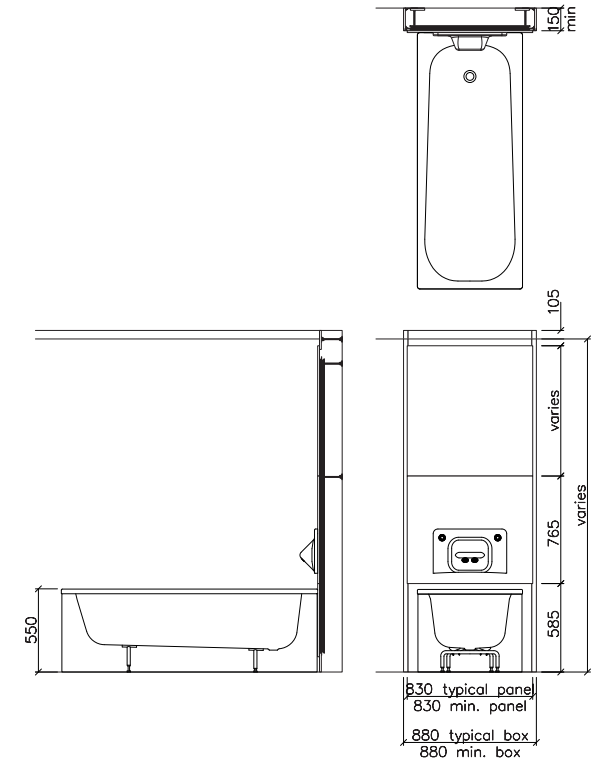
Code	Product description	Ref.	Backplate options	Operation options
SA4280WH	Sola Spectrum Clinical Basin 500 No Tap Hole, Overflow or Chain Hole Back Outlet	LB H M	VR01-023 High Security Backplate and AT07-001 Control Kit – as illustrated	Wave On Sensors Tactile Switch
Code	Product description	Ref.	Flush/Cistern options	Seat options
CHWCBTW48	Chartham Rimless 480 BTW WC Pan Raised Height	WC H	6L Cistern with Lever 6L Pneumatic Single Flush Cistern with Palm Push 6/4L Pneumatic Dual Flush Cistern with Dual Flush Plate 6L Cistern with Sensor Flush – as illustrated	CHSEATSPW Chartham Seat White CHSEATSPB Chartham Seat Blue CHSEATSFT Cover and Soft Close Seat White
AV1968WH	Avalon Rimless BTW WC Pan Raised Height	WC H	6L Low Level Cistern with Lever 6L Pneumatic Single Flush Cistern with Push Button 6/4L Pneumatic Dual Flush Cistern with Dual Flush Plate 6L Cistern with Sensor Flush	AV7861WH Ring Seat White AV7861BE Ring Seat Blue AV7861GY Ring Seat Grey

Low risk bath assembly BA G



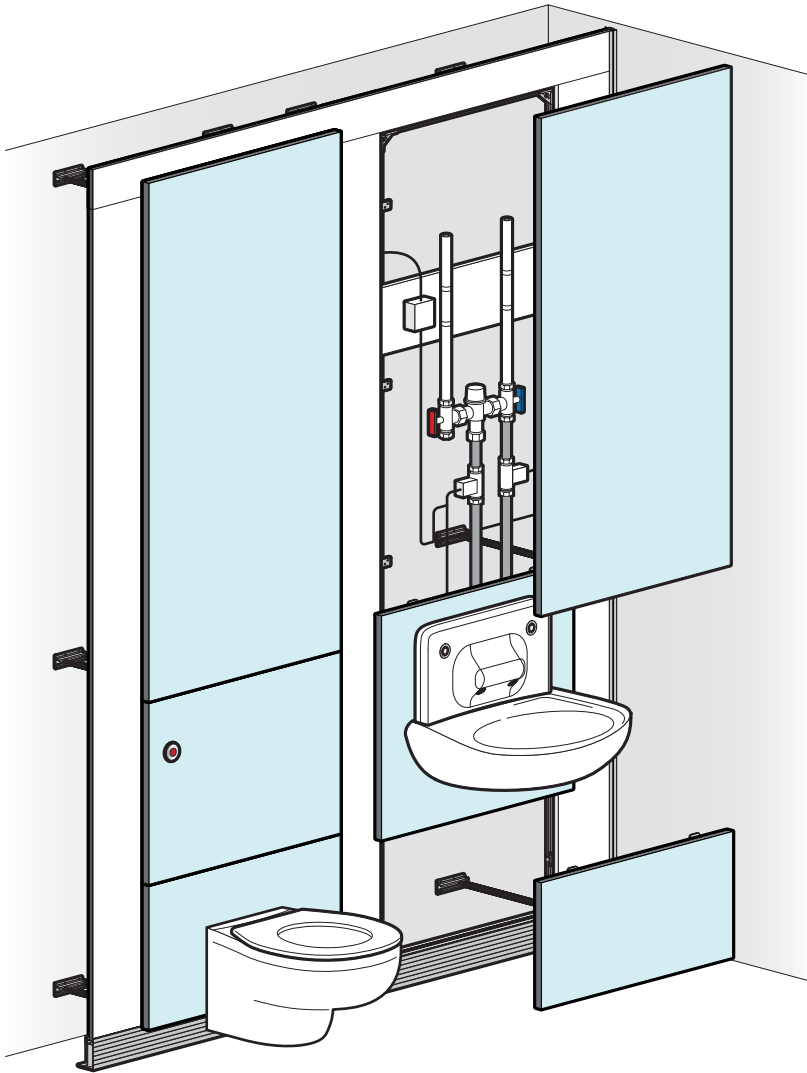
Typical room applications

- Bathrooms
- Ensuites



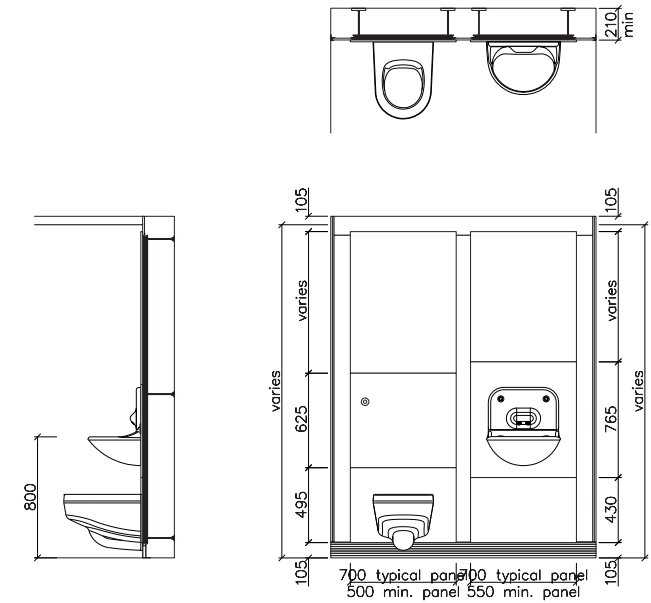
Code	Product description	Ref.	Brassware options	Ref.	Fittings and waste	Thermostatic mixing TMV3
NE9590WH	Neptune 1700 Steel Bath No Tap Holes and No Handgrips	BA G	VR01-024 High Security Bath Filling Backplate – as illustrated	TB6	WF5344CP	AC17-047

Low risk with wall hung WC



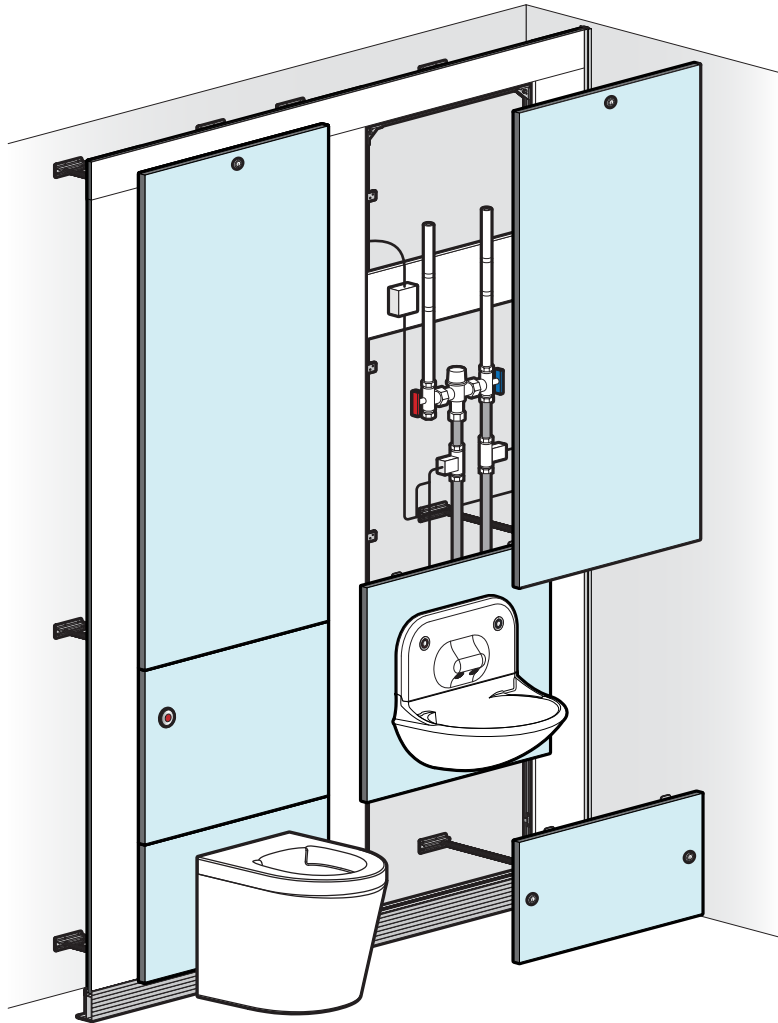
Typical room applications

- Patient WCs
- Ensuites

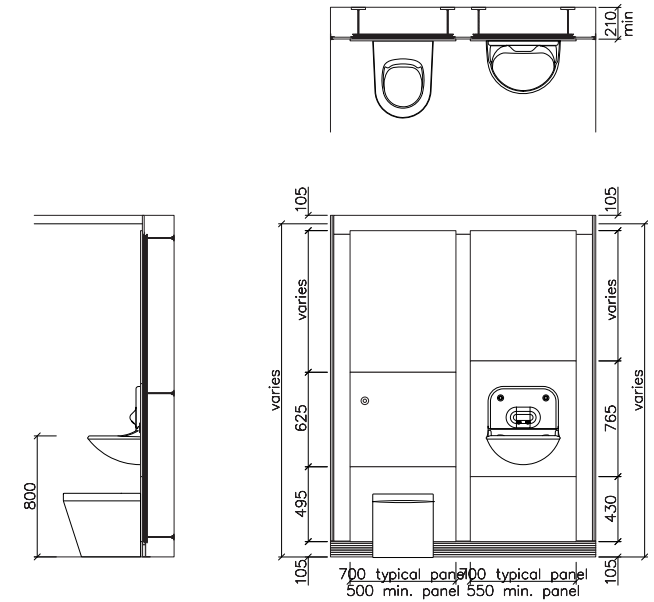


Code	Product description	Ref.	Backplate options	Operation options
SA4280WH	Sola Spectrum Clinical Basin 500 No Tap Hole, Overflow or Chain Hole Back Outlet	LB H M	VR01-023 High Security Backplate and AT07-001 Control Kit – as illustrated	Wave On Sensors Tactile Switch
Code	Product description	Ref.	Flush/Cistern options	Seat options
SA1738WH	Sola Rimless Wall Hung WC Pan	WC H	6L (or 4L) Cistern with Lever 6L Cistern with Push Button 6L Cistern with Sensor Flush – as illustrated	AV7861WH Ring Seat - White AV7861BE Ring Seat - Blue AV7861GY Ring Seat - Grey

High risk with back to wall WC



Typical room applications
 → Ensuites



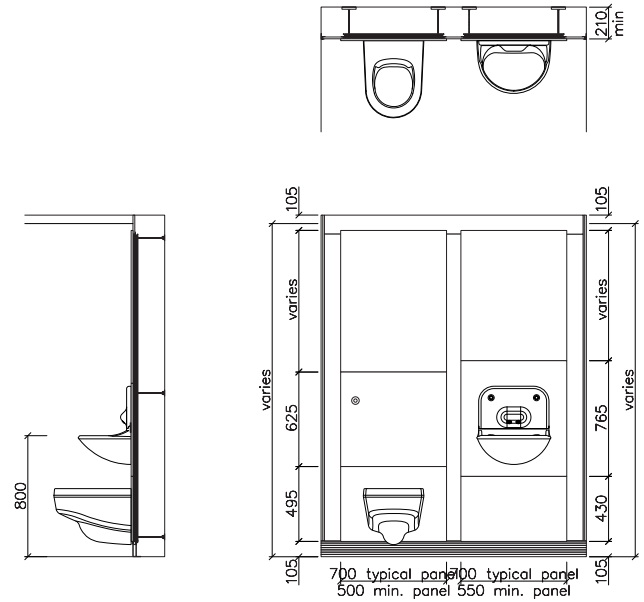
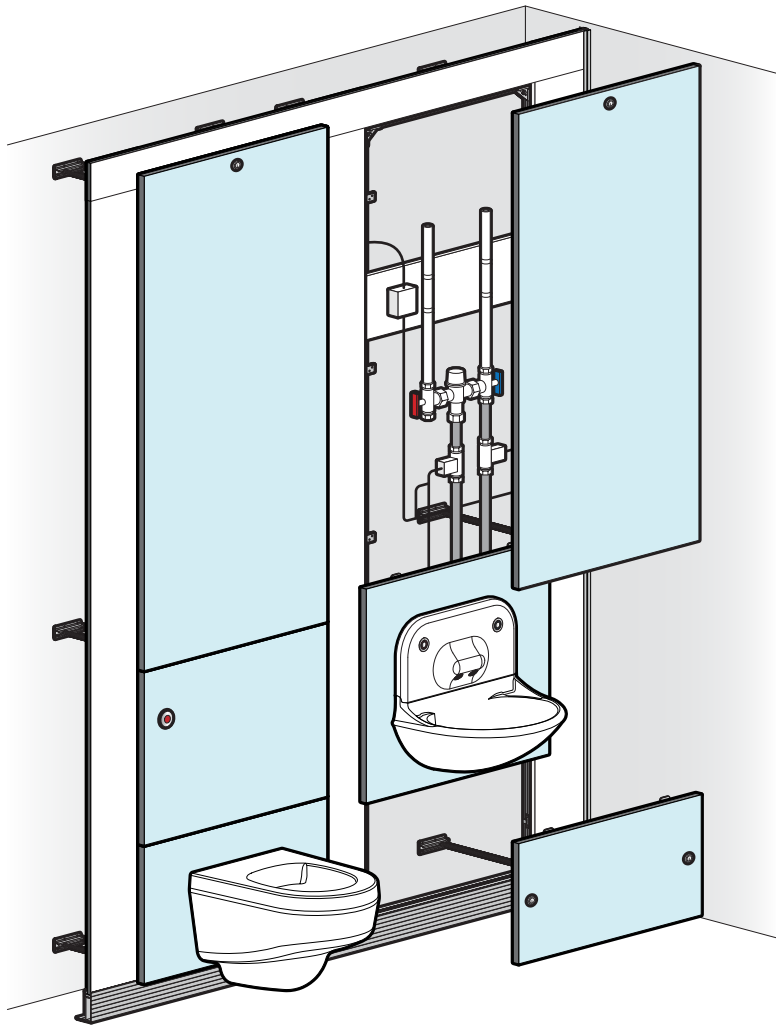
Code	Product description	Control kit	Fittings and waste	Thermostatic Mixing Valve TMV3
VR01-005	High Security Wash Basin and Backplate Set	AT07-001	VR01-028 High Security Grid Waste	AC17-047

Code	Product description	Flush/Cistern options
VR01-010	High Security BTW WC	6L Cistern with Push Button
		6L Cistern with Sensor Flush

High risk with wall hung WC

Typical room applications

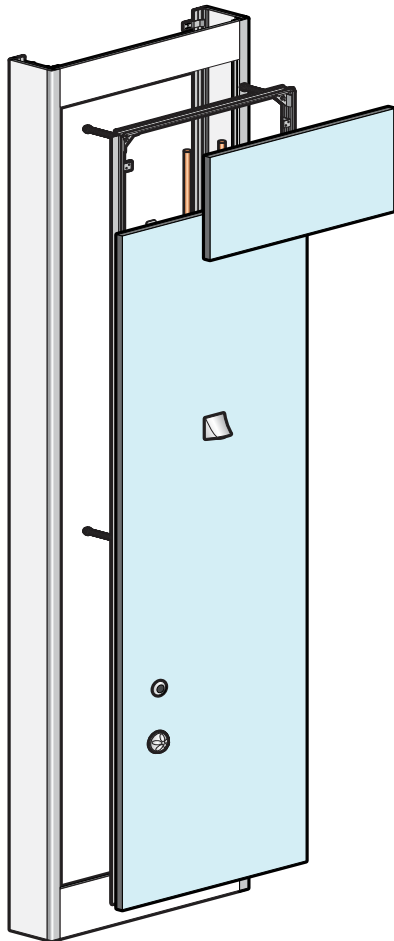
↳ Ensuites



Code	Product description	Control kit	Fittings and waste	Thermostatic Mixing Valve TMV3
VR01-005	High Security Wash Basin and Backplate Set	AT07-001	VR01-028 High Security Grid Waste	AC17-047

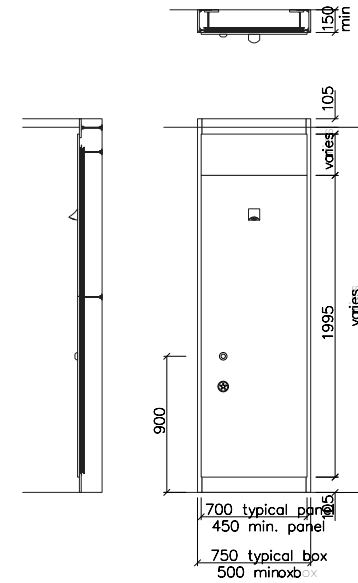
Code	Product description	Flush/Cistern options
VR01-017	High Security Wall Hung WC	6L Cistern with Push Button 6L Cistern with Sensor Flush

High risk shower assembly ^{TM1}



Typical room applications

- Bathrooms
- Ensuities



Code	Product description	Operation	Ref.
SCSHEAD1	Anti-Ligature Fixed Shower Head – as illustrated	SH07-010 Wave On/Off Sensor SH00-011 Temperature Blending Valve and AC17-047 TMV	TM1

Sanitaryware and brassware



A carefully selected range of sanitaryware and brassware, specifically chosen to meet the needs of clinical environments.



Sanitaryware

Basins



Chartham Clinical Basin

CHBWH50BO LB H M
500 No Tap Hole,
Overflow or Chain Hole
Back Outlet



Chartham Medical Wash Basin

CHBWH50RH LB G M
500 RH Tap Hole, No
Overflow or Chain Hole

CHBWH502T LB G M
500 2 Tap Holes, No
Overflow or Chain Hole



Chartham Medical Handrinse Basin

CHBWH38RH LB G S
380 RH Tap Hole, No
Overflow or Chain Hole

CHBWH38LH LB G S
380 LH Tap Hole, No
Overflow or Chain Hole



Sola Spectrum Clinical Basin

SA4280WH LB H M
500 No Tap Hole,
Overflow or Chain Hole
Back Outlet



Sola Medical Wash Basin

SA4255WH LB G M
500 RH Tap Hole, No
Overflow or Chain Hole

SA4252WH LB G M
500 2 Tap Holes, No
Overflow or Chain Hole

SA4355WH LB G L
600 RH Tap Hole, No
Overflow or Chain Hole

SA4352WH LB G L
600 2 Tap Holes, No
Overflow or Chain Hole



Sola Medical Handrinse Basin

SA4155WH LB G S
400 RH Tap Hole, No
Overflow or Chain Hole

SA4156WH LB G S
400 LH Tap Hole, No
Overflow or Chain Hole

WCs



Chartham Rimless 480 BTW WC Pan Raised Height

CHWCBTW48 WC H

CHSEATSPW
Seat only, White

CHSEATSPB
Seat only, Blue

CHSEATSFT
Cover and Soft
Close Seat, White



Chartham Rimless 700 BTW WC Pan Raised Height

CHWCBTW70 WC HD

CHSEATSPW
Seat only, White

CHSEATSPB
Seat only, Blue

CHSEATSFT
Cover and Soft Close
Seat, White



Avalon Rimless BTW WC Pan Raised Height

AV1968WH WC H

AV7861WH Seat only White

AV7861BE Seat only Blue

AV7861GY Seat only Grey



Avalon Rimless 700 BTW WC Pan Raised Height

AV1498WH WC HD

AV7861WH Seat only White

AV7861BE Seat only Blue

AV7861GY Seat only Grey



Sola Rimless Wall Hung WC Pan

SA1738WH WC H

AV7861WH Seat only White

AV7861BE Seat only Blue

AV7861GY Seat only Grey

Sanitaryware

Urinals



Chartham Concealed
Trap Urinal
CHURINLCT UR H



Spectrum Concealed
Trap Urinal
VC7004WH UR H

Bidet



Sola Bidet
SA3521WH BD H
1 Tap Hole, No Overflow
or Chain Hole

Mental health



High Security
BTW WC
VR01-010



High Security
Backplate Only
VR01-023
for SA4280WH
Spectrum Basin



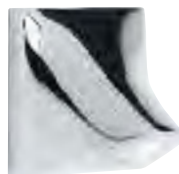
High Security Wall
Hung WC
VR01-017 WC H



High Security Bath
Filling Backplate
VR01-024 TB6



High Security
Washbasin
and Backplate set
VR01-005



Anti-Ligature Fixed
Shower Head
SCSHEAD1 TM1

Flush options



Chrome Plated Lever
For 6 litre cisterns



Chrome Plated
Push Button
For 6 litre cisterns



Chrome Plated
Extended Lever
For 6 litre cisterns



Pneumatic Dual
Flush Valve
For 6 litre and 4.5
litre cisterns



No Touch Sensor
Flush
For WCs or Urinals



Palm Push Button
For 6 litre cisterns

Brassware

Manual taps



Thermostatic Sequential
Panel Mounted Lever
Action Tap TMV3

SCTHTMLV1 TB H2a



Thermostatic Sequential
Panel Mounted Lever
Action Tap TMV3

SF1056CP TB H2a



Manual AquariTherm
Panel Mounted Lever
Action Tap

MT04-001 TB H2a



Thermostatic Sequential
Basin Mounted Lever
Action Mixer Tap TMV3

SCTDMSEQ1 TP6
SCTDMTAIL Copper Tail Kit



Thermostatic Basin
Mounted Lever Action
Mixer Tap TMV3

SF1053CP TP6



Basin Mounted Lever
Action Pillar Taps* (pr)

SF2401CP TP5



Basin Mounted Lever
Action Pillar Taps (pr)

DLT101 TP5



Panel Mounted Lever
Action Bib Taps with
6" Levers (pr)

DLV095 TB H1



Panel Mounted Lever
Action Bib Taps* (pr)

SF2301CP TB H1



High Neck Basin
Mounted Lever
Pillar Taps* (pr)

SF2403CP TP3

Brassware

Sensor taps



Thermostatic Panel Mounted Infrared Sensor Tap TMV3 (battery)

SCTHTMSR1 TB H6



Thermostatic Panel Mounted Infrared Sensor Tap TMV3 (battery)

SF1119CP TB H6
SF1020CP Electric Conversion Kit



250mm Panel Mounted Tap Spout and Sensor with Copper Tails

AT02-022 TB H6



2 No. 240mm Panel Mounted Tap Spouts and Wave On/Off Sensors*

AT07-049 TB H1



200mm Panel Mounted Scrub Up Tap Spout and Sensor*

AT02-053 TB H6



A45 Basin Mounted Sensor Tap with Copper Tails

AT03-021 TP6



A45 Short Basin Mounted Sensor Tap with Copper Tails

AT03-022 TP6



AquariTherm Panel Mounted Sensor Tap

AT04-001 TB H6

* For hospital use these items will require AT00-038 copper tail conversion kit

Stainless steel



600mm Disposal Hopper
G22041N
DU



1000mm Disposal Unit
G22016L
LH Drainer DU H

G22016R
RH Drainer DU H



1600mm Disposal Unit
G22018L
LH Drainer DU HS

G22018R
RH Drainer DU HS



Hospital Sink
G22002NT
Single Bowl 2 Tap Holes SK 1

G22004NT
Double Bowl 2 Tap Holes SK 2



Janitorial Unit c/w
Monobloc Tap
G20050N
JU



1200mm Plaster Sink
G22000L
Plaster Sink & Worktop LH Drainer PS H

G22000R
Plaster Sink & Worktop RH Drainer PS H



Scrub-up Trough
G22029L
Single LH Outlet SU H1

G22029R
Single RH Outlet SU H1

G22030L
Double LH Outlet SU H2

G22030R
Double RH Outlet SU H2

G22031L
Triple LH Outlet SU H3

G22031R
Triple RH Outlet SU H3



Single Bowl Single Drainer
G22006L
1200mm LH Drainer No Tap Holes ST A

G22006R
1200mm RH Drainer No Tap Holes ST A

Single Bowl Double Drainer

G22008D
1800mm No Tap Holes ST B

Double Bowl Single Drainer

G22010L
1800mm LH Drainer No Tap Holes ST C

G22010R
1800mm RH Drainer No Tap Holes ST C

Shower and bath options



B9306AA Single Function Handspray 900mm Rail and 1800mm Spiral Hose



Anti Vandal Shower Head AVSH001



Thermostatic Panel Mounted Lever Action Bath Filler TMV3 AC50010CP TB6



High Security Bath Filling Backplate VR01-024 TB6



Neptune 1700 Steel Bath NE9590WH BA G No Tap Holes and No Handgrips

Lever Options:



SCSSEQCN1 Thermostatic Sequential Lever Operated Concealed Shower Valve



SF1155CP Sola Thermostatic Sequential Lever Operated Concealed Shower Valve



SH07-010 Wave On/Off Sensor

Accessories

Doc M Pack

SCDMBTWLB Pack includes:
 1x Back to wall WC Pan
 1x Handrinse Basin with Sequential Mixer Tap
 1x 450mm Grab Rail
 4x 600mm Grab Rails White/Blue
 1x 760mm Hinged Support Rail
 1x Back Support with Cushion

Doc M Shower Pack

SCDMSHCWH Pack includes:
 1x Fixed Shower Head
 1x Handset and Hose
 1x Concealed or Exposed Shower Valve
 1x Diverter Valve
 1x 760mm Hinged Support Rail
 1x Shower Curtain and Rail
 1x Robe Hook

Grab rail kit

DM0190WH/BL Pack includes:
 1x 450mm Grab Rail
 4x 600mm Grab Rails
 1x 760mm Hinged Support Rail
 1x Back Support with Cushion

Individual grab rails

GR45035WH/BL
 450mm Grab Rail White/Blue
GR60035WH/BL
 600mm Grab Rail White/Blue
GR76032WH/BL
 760mm Hinged Support Rail White/Blue
DM0167WH/BL
 Back Support with Cushion White/Blue

Panel performance options

Performance Specification

Wet Areas/Mental Health

Areas subject to prolonged moisture, eg showers/baths or areas of high abuse.

Please note: There is no specific performance specification stipulated within HTM 68. The panel specification opposite is Bushboard's recommended option.

HD Heavy Duty

High frequency use by public and others in areas where medical/nursing procedures are carried out and where assemblies may be damaged by wheeled equipment, accident or mis-use.

Service

All Bushboard RPM units for Healthcare are bespoke manufactured, contact us for further details.

All 1mm pvc lipping applied with PUR adhesive. HPL is not suitable for wet environments.

* nominal thickness

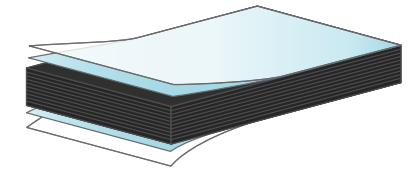
Typical Panel Specification

Solid Grade Laminate (SGL)

Solid Grade Laminate, 1400kg/m³ impervious to water, suitable for the most demanding environments where strength and/or water resistance are needed.

↳ Finished panel thickness 13mm*

↳ Polished radiused black edges

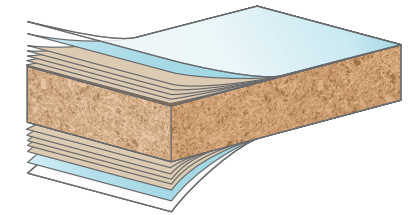


High Pressure Laminate (HPL)

High Pressure Laminate bonded onto 630kg/m³ density moisture resistant chipboard, suitable for dry environments with more intense use.

↳ Finished panel thickness 18mm*

↳ Panels supplied square edge with matching 1mm pvc lipping or postformed vertical edges



Colour Options

See our separate colour selector.

Expert service and support...



Our industry expertise has been acquired through some of the largest PFI healthcare projects in the UK as well as minor refurbishments. Our professional service is delivered through a flexible approach to product design and manufacture and a dedicated Healthcare project team.

From planning to completion, we work with specifiers and contractors offering specialist technical advice, as well as support on planning, product specification and compliance with appropriate regulations including load testing, acoustic data and fire wall standards. Our Technical Project Managers work with contractors on site to ensure individual projects are successfully delivered.

We offer an NBS specification writing service, sample service and CAD blocks, which are available to download from our website:

www.bushboard-washrooms.co.uk



Acts and Regulations...



Bushboard Ready Plumbed Modules for Healthcare meet the following required standards:

- ↳ Health Building note 00-01 Part C: Sanitary assemblies
- ↳ The Equality Act 2010
- ↳ The Water Supply (Water Fittings) Regulations 1999
- ↳ The Water Supply (Water Fittings) Regulations 1999: WC Suite Performance Specifications
- ↳ The revised Healthcare Cleaning Manual 2009



“This is the first time that we have dealt with Bushboard. If I had to comment on one thing, it would be their excellent customer service. All contacts have been extremely patient and informative throughout the process; their main objective being to ensure that we are happy with both products and service”.

Paul Watson, Finance Manager, Leeds Student Medical Practice

Bushboard Washroom Systems Ltd
Unit 1400 1st Floor Montagu Court
Kettering Parkway
Kettering Venture Park
Kettering
Northants
NN15 6XR
T 01536 533620
F 01536 533648

washrooms@bushboard-washrooms.co.uk
www.bushboard-washrooms.co.uk

After Sales and Customer Care
T 01536 533667

Colours in this brochure are as accurate as the printing process allows.
Bushboard Washroom Systems Ltd reserves the right to alter or change specification without notice.