



# **Buro C75** Cassette System

# Buro C75 Cassette

**Room darkening cassette roller blind.  
Commonly used for studios, conference rooms, IT rooms or science laboratories where you need to block the light from coming around the edges of the fabric.**



## Standard

Nylon Chain  
Side Channels  
White RAL 9016 Hardware

## Max. size

Width 3000mm  
Drop 3500mm  
Surface 10m<sup>2</sup>

## Optional

Metal Chain  
Fixed Crank  
Detachable Crank  
240v Hardwired Wall Switch  
240v Remote Control  
Battery  
No Side Channels  
Black RAL 9005 Hardware  
Grey Hardware

## Tube size

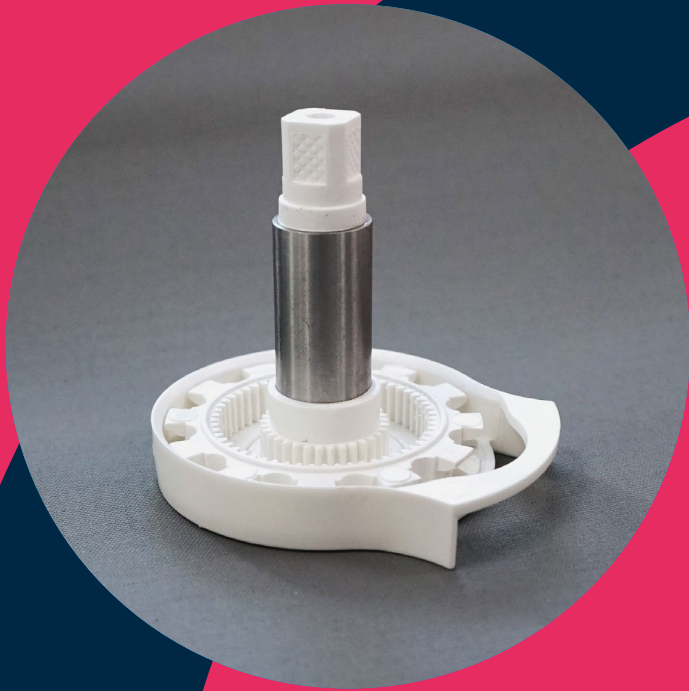
43mm

## Fabrics

Artisan  
Artisan+  
Artisan Black-Out  
Sombra Eco  
Diffusor  
Bespoke

## Warranty

25 years (except electric motors)



**Durability.**

The C75 is controlled by the R400 wear resistant steel core mechanism which has a 25 year warranty.



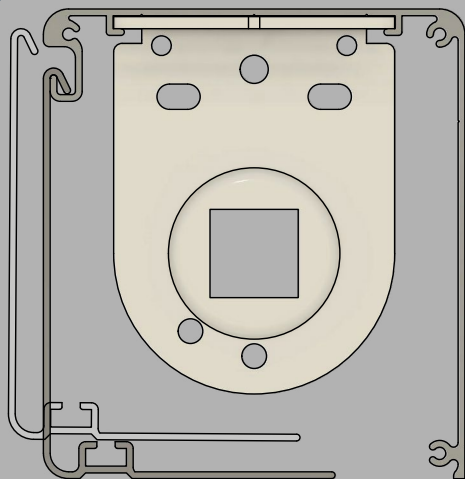
**Multiple Operations.**

This system can also easily be made crank or electrically operated.

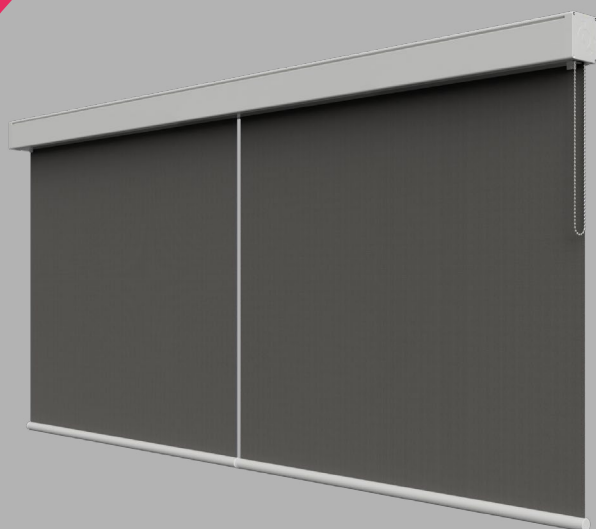


**Side Channel Lugs.**

The optional lugs make it easier to locate and secure side channel, especially over a long run of glazing.



**Narrow Recess Friendly.**  
The two part cassette design makes it easy to install into a very narrow recess.

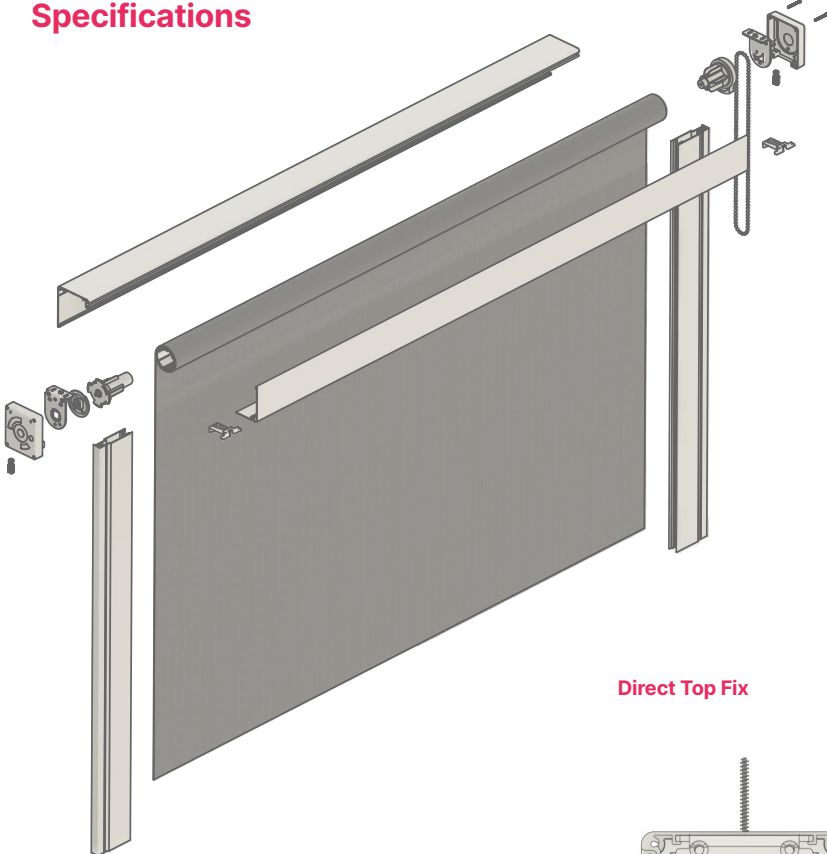


**Multi/Banded Systems.**  
The back extrusion also makes it possible to install several blinds within a single cassette for a wide glazed facade.

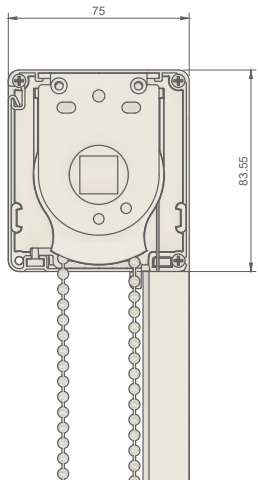
**Visually attractive.**  
The smooth square finish of the extrusion is to compliment minimalistic design for the modern place or work or education.



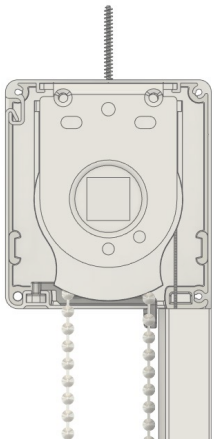
# Buro C75 Cassette Specifications



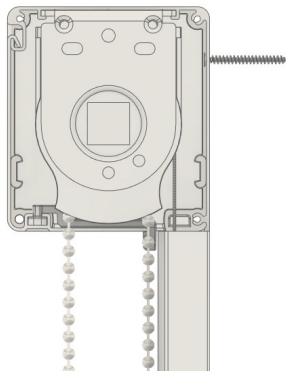
Cassette



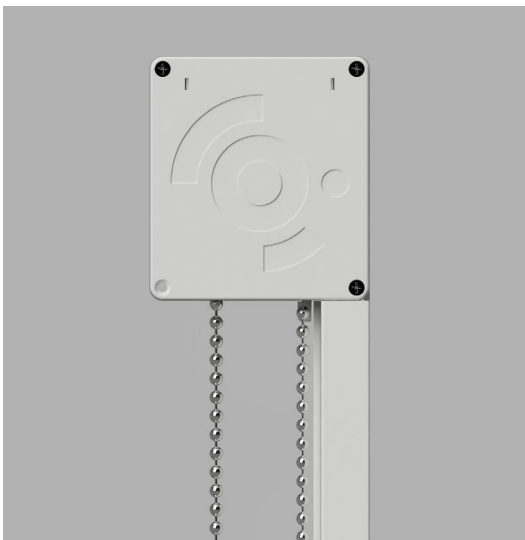
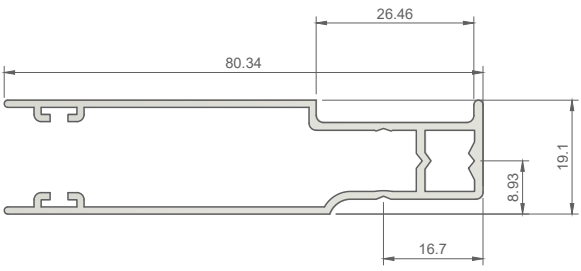
Direct Top Fix



Direct Face Fix



Side Channels



# Discover the difference. Steel Core.

Wear-resistant “Steel Core” means the centre shaft of the mechanism, the part of the clutch that stops the blind unrolling, is actually manufactured from steel. This gives the mechanism increased longevity compared to regular plastic core mechanisms. That is why we confidently offer a 25 year warranty on R400.

**We guarantee product quality.**

Call: 0333 050 9885 Visit: [buroshade.com](http://buroshade.com)