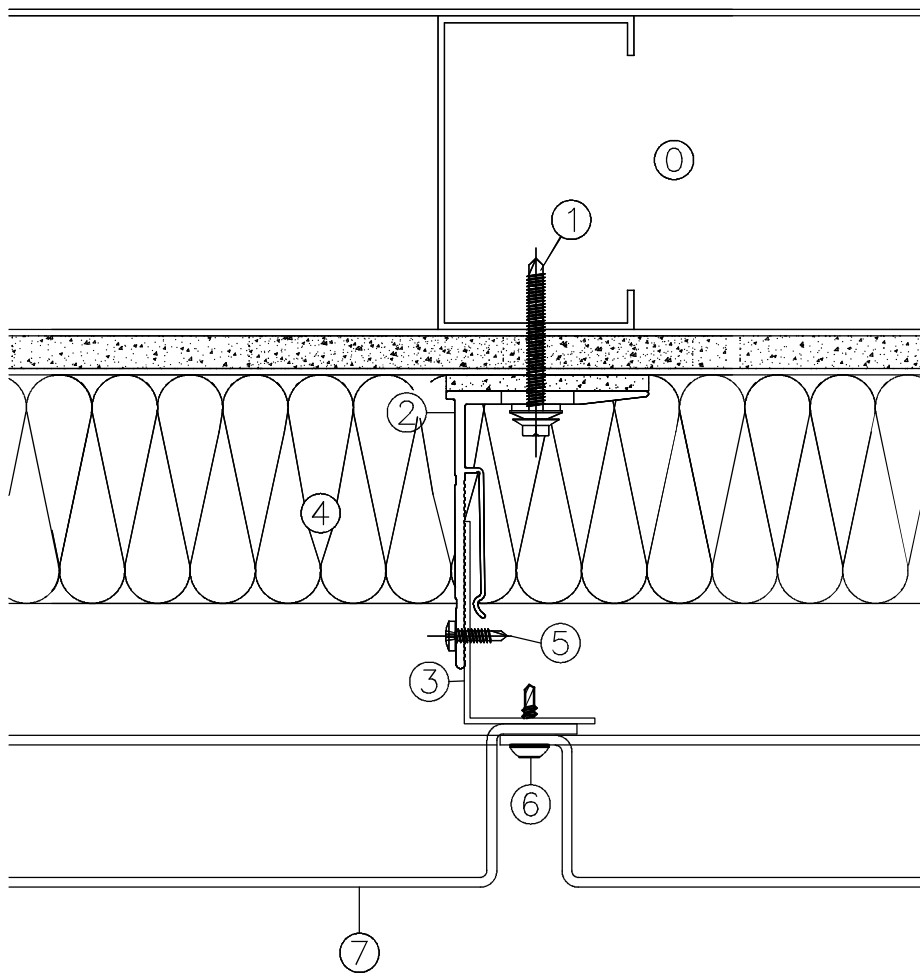


Vantage[®] DF

Discreet Fix Rainscreen System

HORIZONTAL SECTION



Drawing Key

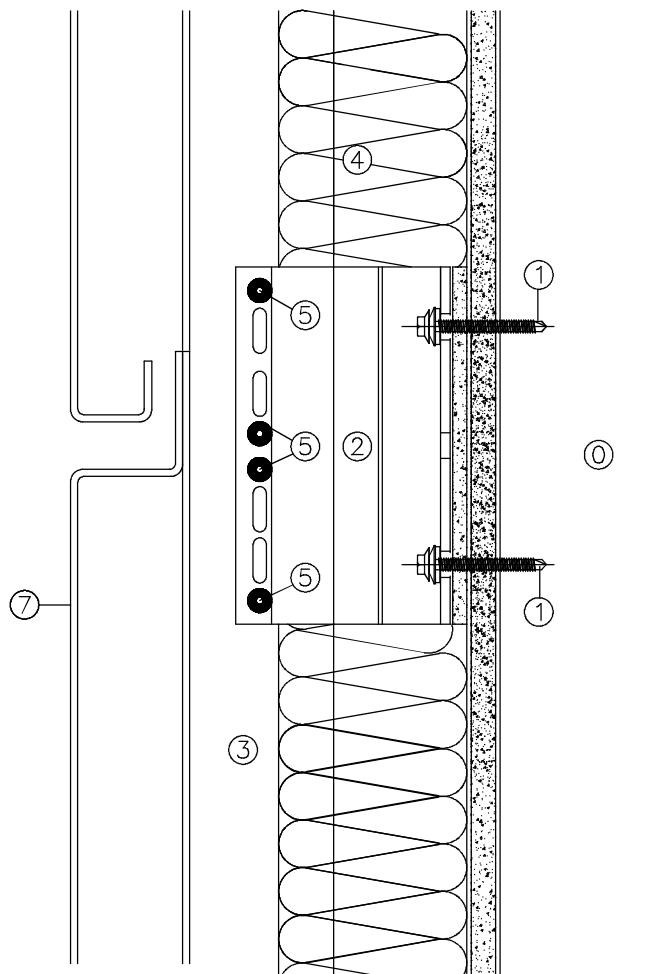
- | | | | |
|---|---------------------------------------|---|---------------------------------------|
| ① | Primary Wall ** | ④ | Insulation ** |
| ② | Fixing To Primary Wall ** | ⑤ | Fixing For Rail To Bracket. |
| ③ | Hands Free Brackets. | ⑥ | Discreet Fixing Panel to Rail. |
| ④ | Vantage [®] DF Support Rail. | ⑦ | Vantage [®] DS Façade Panel. |

Items Marked ** Not supplied as part of the Vantage[®] system.

Vantage® DF

Discreet Fix Rainscreen System

VERTICAL SECTION



Drawing Key

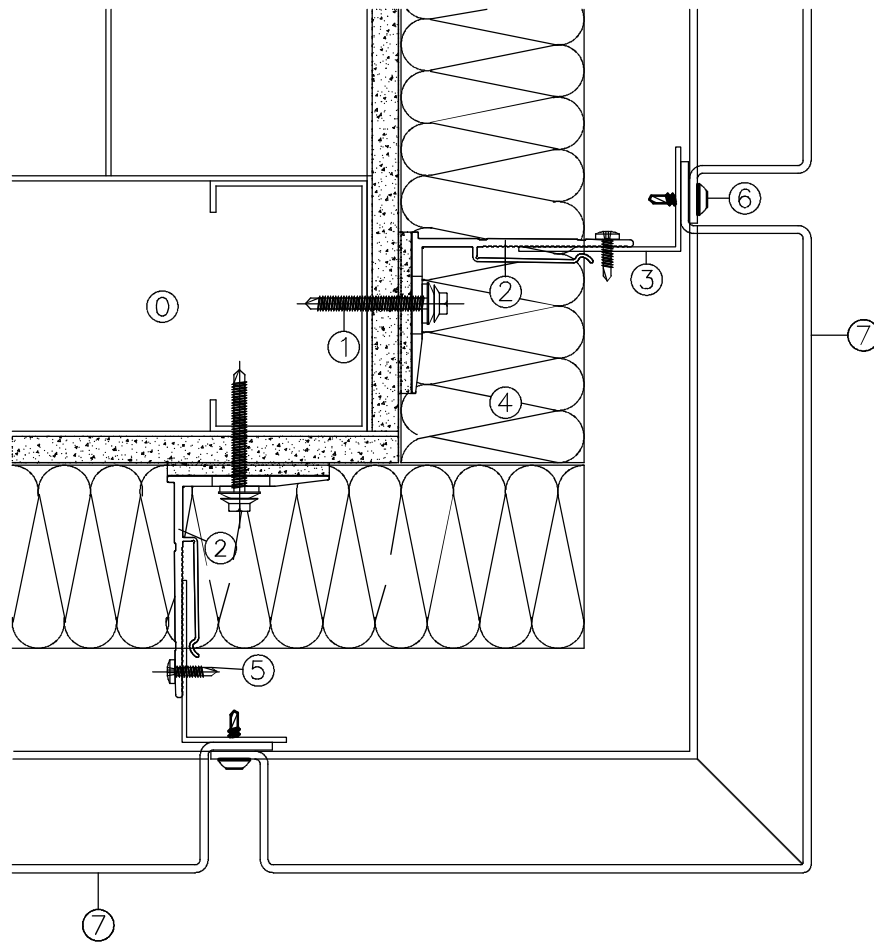
- | | |
|-----------------------------|----------------------------------|
| ① Primary Wall ** | ④ Insulation ** |
| ① Fixing To Primary Wall ** | ⑤ Fixing For Rail To Bracket. |
| ② Hands Free Brackets. | ⑥ Discreet Fixing Panel to Rail. |
| ③ Vantage® DF Support Rail. | ⑦ Vantage® DS Façade Panel. |

Items Marked ** Not supplied as part of the Vantage® system.

Vantage[®] DF

Discreet Fix Rainscreen System

EXTERNAL CORNER



Drawing Key

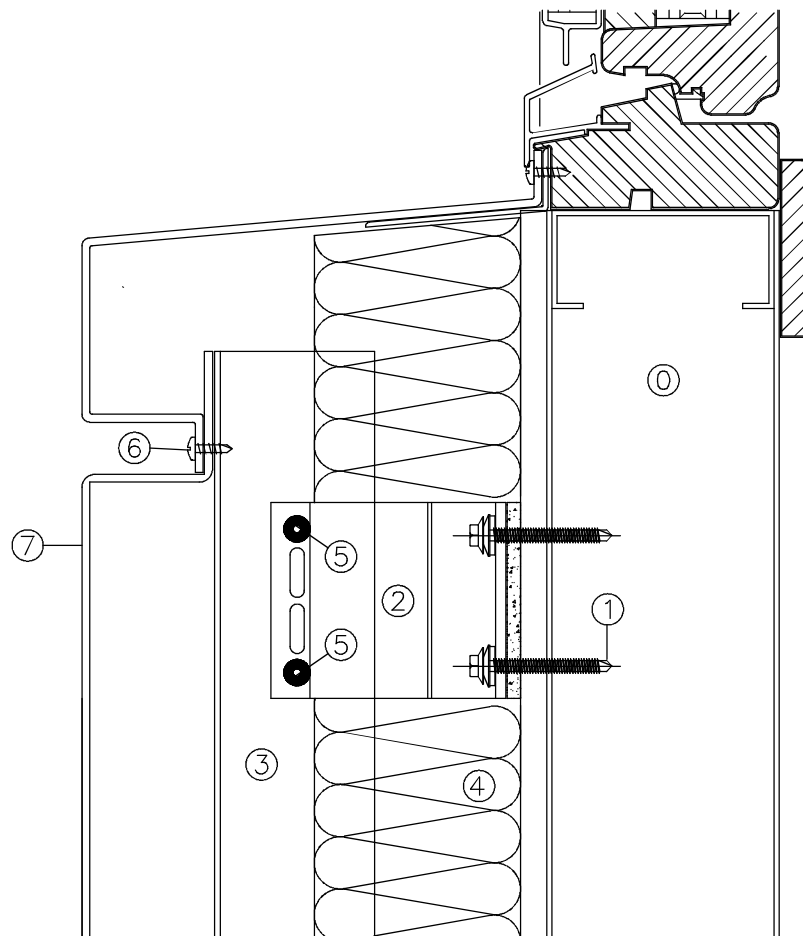
- | | |
|---|---|
| ① Primary Wall ** | ④ Insulation ** |
| ② Fixing To Primary Wall ** | ⑤ Fixing For Rail To Bracket. |
| ③ Hands Free Brackets. | ⑥ Discreet Fixing Panel to Rail. |
| ④ Vantage [®] DF Support Rail. | ⑦ Vantage [®] DS Façade Panel. |

Items Marked ** Not supplied as part of the Vantage[®] system.

Vantage[®] DF

Discreet Fix Rainscreen System

WINDOW CILL DETAIL



Drawing Key

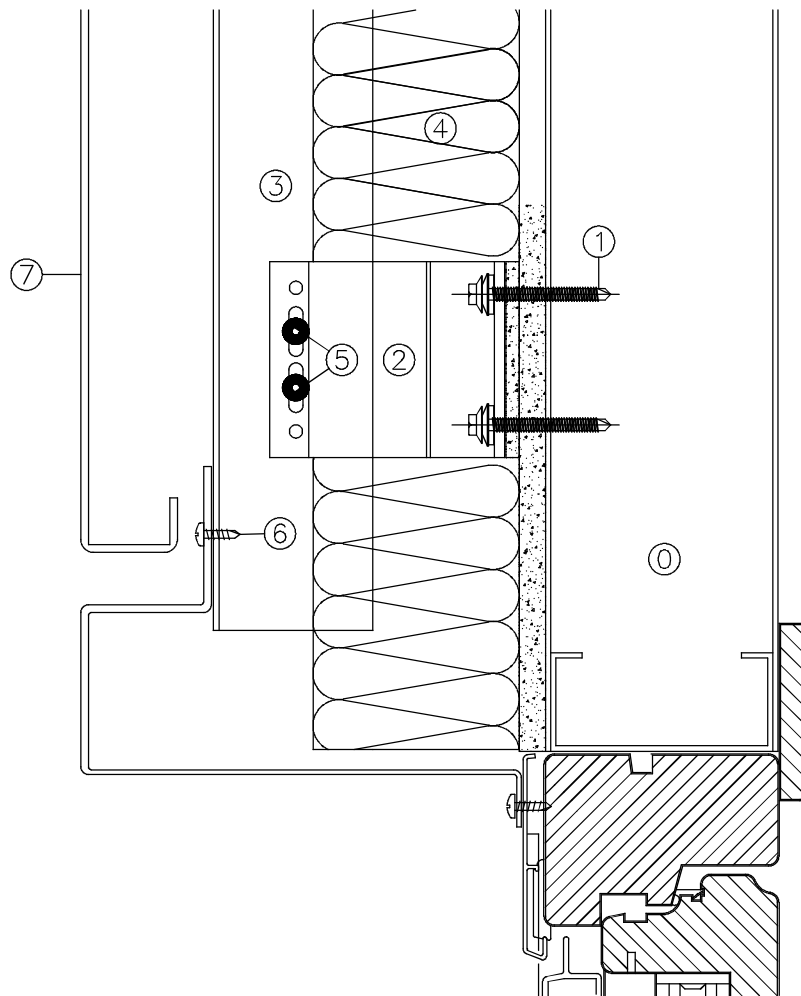
- | | | | |
|---|---------------------------------------|---|---------------------------------------|
| ① | Primary Wall ** | ④ | Insulation ** |
| ② | Fixing To Primary Wall ** | ⑤ | Fixing For Rail To Bracket. |
| ③ | Hands Free Brackets. | ⑥ | Discreet Fixing Panel to Rail. |
| ④ | Vantage [®] DF Support Rail. | ⑦ | Vantage [®] DS Façade Panel. |

Items Marked ** Not supplied as part of the Vantage[®] system.

Vantage[®] DF

Discreet Fix Rainscreen System

WINDOW HEAD DETAIL



Drawing Key

- | | | | |
|---|---------------------------------------|---|---------------------------------------|
| ① | Primary Wall ** | ④ | Insulation ** |
| ② | Fixing To Primary Wall ** | ⑤ | Fixing For Rail To Bracket. |
| ③ | Hands Free Brackets. | ⑥ | Discreet Fixing Panel to Rail. |
| ④ | Vantage [®] DF Support Rail. | ⑦ | Vantage [®] DS Façade Panel. |

Items Marked ** Not supplied as part of the Vantage[®] system.