



Uniclass L725111	EPIC G611
CI/SIB (74.26)	X

DATA

Thermostatic & Pressure Balanced Mixing Valve
 Concealed supply c/w Anti Tamper Head
 Maximum Temperature 90°
 Minimum Pressure 0.5 Bar
 Maximum Pressure 12 Bar
 Pressure Differential 10 Bar
 Temperature Differential 0°
 Normal Control Temperature 38°
 Output Temp Differential +/- 1°c
 Max Output 5 l/pm @ 1 Bar

MATERIALS

Mixer Body BZR Brass With Chrome Finish
 Handles ABS Plastic
 Anti Vandal Showerhead BZR Brass & ABS Plastic
 Connections Inlet Valve Body G3/4 F BSP

FEATURES

Thermostatic & Pressure Balanced Cartridges constant temp regardless of pressure variations
 Anti Scald cut off 0.02 seconds
 Water Saving Anti Tamper Showerhead Push Fit Connections
 Quick & Easy to fit & maintain
 NRV Fitted to Hot & Cold Inlets
 We recommend the use of isolating ball valves with our units

SPEC CODES

Mixer TMV2 9211-7700
 Fixing Bracket 9205-2050
 Anti Vandal Showerhead 250

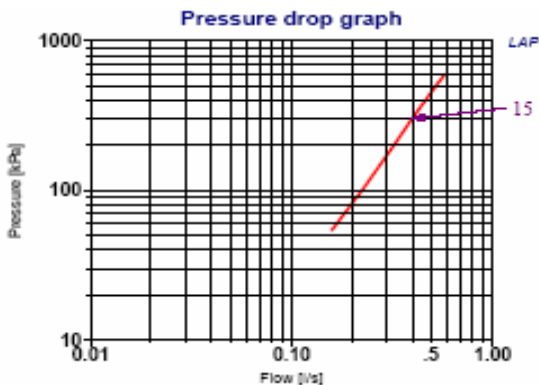
APPROVALS

WRAS TMV2 (9211-7700) ISO9001 ISO 14002
 NCAGE No KC1U7

APPLICATION

Multi user and multi floor applications. Hospital, hotels, accommodation blocks, halls of residence, barracks, gymnasiums

**UPP Water Saving Kit
9210UPP**



☎ 0870 7657987

🌐 www.alchallis.com

@ info@alchallis.com

**10 YEAR
CALCIUM
GUARANTEE**
FM Mattsson

**10 YEAR
PRESSURE
GUARANTEE**
FM Mattsson

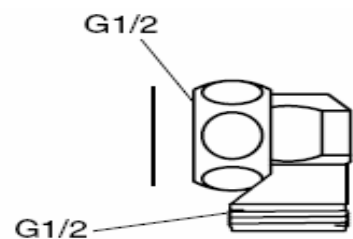
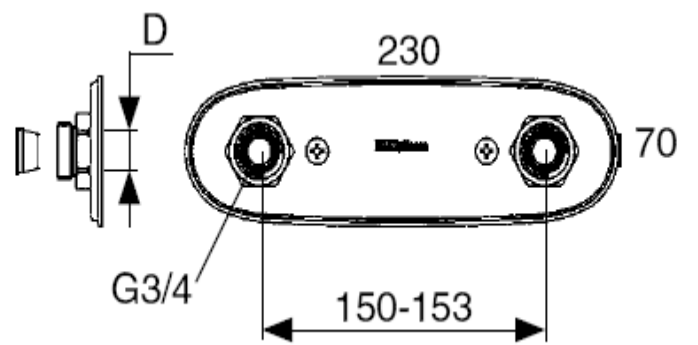
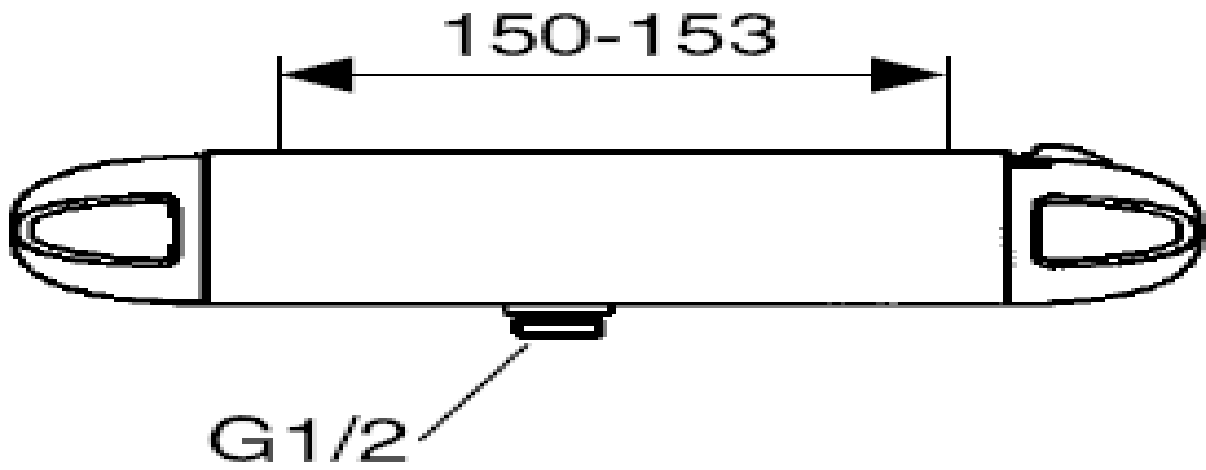
**10 YEAR
TEMPERATURE
GUARANTEE**
FM Mattsson



**WRAS
APPROVED
PRODUCT**



Aquiv8 250





Uniclass L725111	EPIC G611
CI/SB (74.26)	X

DATA

Mono-bloc Manual Basin Mixer
 Maximum Temperature 90°
 Minimum Pressure 0.2 Bar
 Maximum Pressure 12 Bar
 Normal Control Temperature 38°
 Output Temp Differential +/- 1°c
 Max Output 5 l/ pm @ 1 Bar (Adjustable)

**9050 Mono Basin Mixer
E-Designation**

MATERIALS

Mixer Body BZR Brass With Chrome Finish
 Handles BZR Brass With Chrome Finish

FEATURES

Patented Soft Close mechanism preventing water hammer
 Built in baffle to reduce tap hissing
 Built in water saving limiter
 Built in temperature limiter (Anti Scald)
 Soft Flow Diffuser
 Quick & Easy to fit & maintain

SPEC CODES

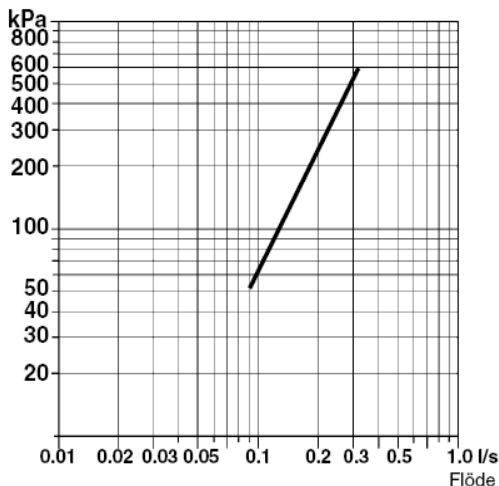
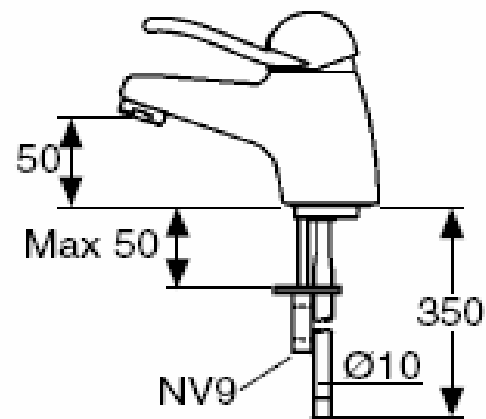
Mono Basin Mixer (Chrome) 9050-0000 E-Designation

APPROVALS

WRAS ISO9001 ISO 14002 ISO14025 WTL Approved

APPLICATION

Residential hospital, hotels, accommodation blocks, halls of residence, barracks, gymnasiums, Residential



WRAS
APPROVED PRODUCT



10 YEAR CALCIUM GUARANTEE
10 YEAR PRESSURE GUARANTEE
FM Mattsson

0870 7657987
www.alchallis.com
info@alchallis.com