

Data Sheet

GU10 Comet Series 5W



Features

- Energy Saving
- Low heat, No UV, or IR light radiation ,No mercury, safe to skin and crops
- Light source: SMD LED
- Long life time>50,000 hours
- Power consumption 5W
- High power driver efficiency >80%
- Dimmable
- CE, FCC Approved

Typical Application

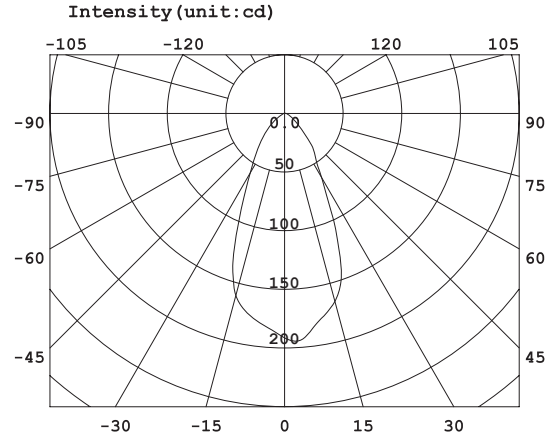
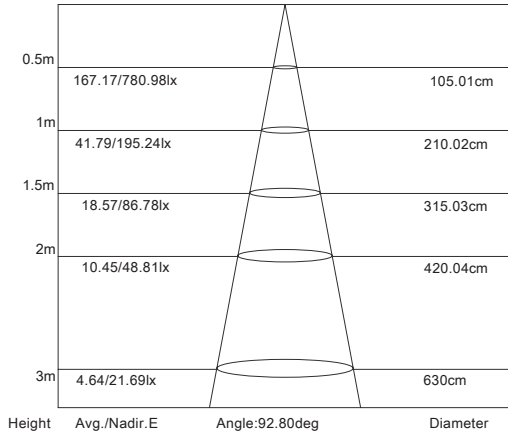
- Indoor Lighting
- Architectural Lighting
- Conference Lighting
- Mood Lighting
- Hospital Lighting
- Hotel Lighting
- Office Lighting
- Commercial, Industrial and Household Lighting



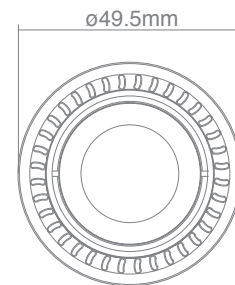
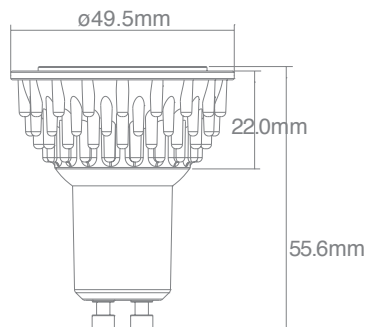
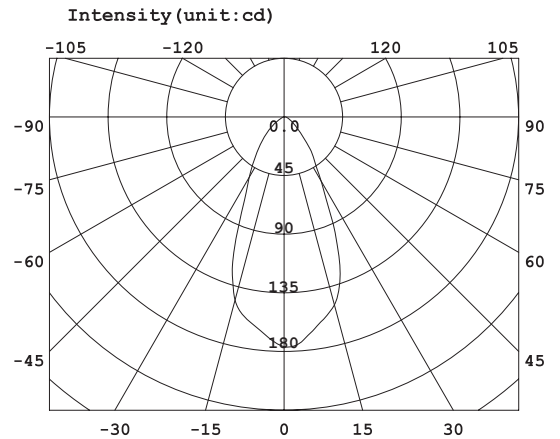
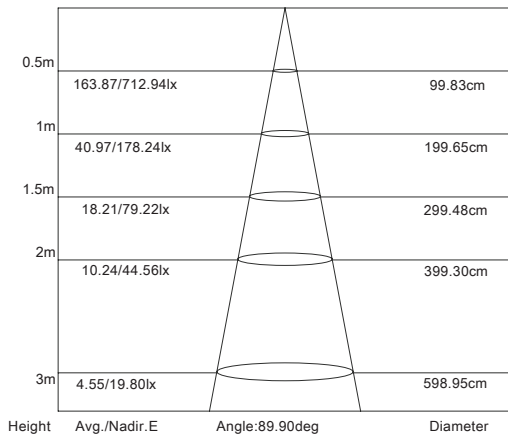
Lamp Base	GU10
Life Span	50,000 hrs
Total Power Consumption:	5W
Working Voltage	100-240V AC
Size	ø49.5mm x 55.6mm
Beam Angle	45°
CRI	Cool White Ra=72 Warm White Ra=76
Colour Temperature	White 5900K Warm White 3100K
Lumens	White - 400lm Warm White - 320lm
Material	Aluminium and PC
Net Weight	45g
Operational Temperature	-20 to 40°C
Frequency(Hz)	50 Hz

Model Number	GU10SB5CD
Model Number	GU10SB5WD

Cool White



Warm White



Disclaimer

The information contained in this document is subject to change without notice.

Copyright

This document contains proprietary information that is protected by copyright. All rights are reserved. No part of this document may be reproduced, stored in a retrieval system, or transmitted, in any form or by any means, electronic, mechanical, photocopying, recording, or otherwise, without the prior written consent of: Bri-Tek

Head Office:

Unit D3C, Edgefold Industrial Estate
 Smethurst Lane, Farnworth, Bolton, BL4 0JW
 Tel: +44 (0) 161 850 0905 Fax: +44 (0) 161 850 0907
 Web: www.britektechnologies.co.uk
 Email: enquiries@britektechnologies.co.uk