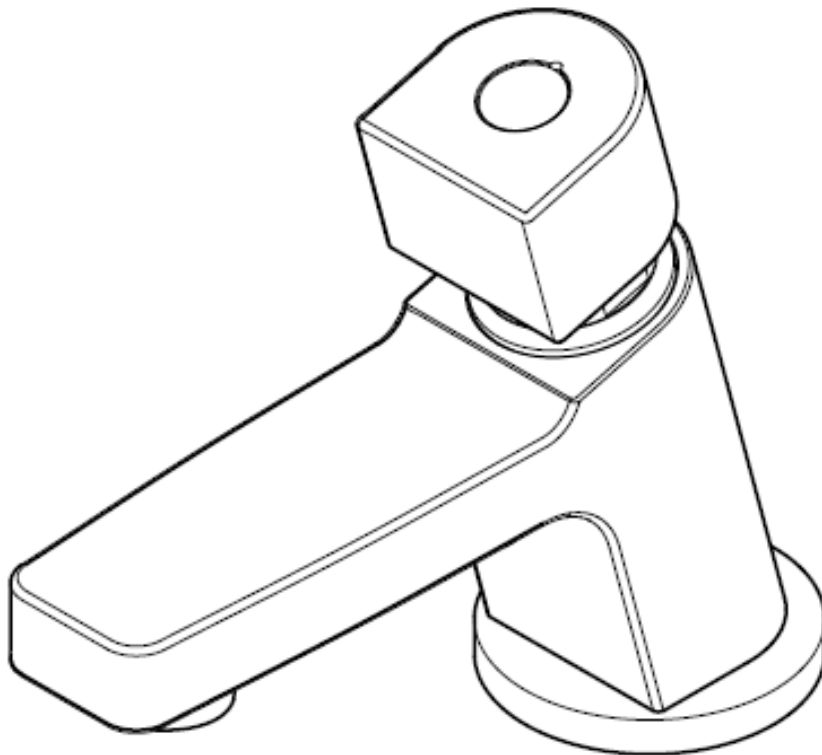


# BRISTAN

## Soft Touch Tap Range

### Fitting Instructions & Contents List



Please keep these instructions for future reference and request of replacement parts

<b>Contents</b>	<b>Page</b>
1. Introduction	03
2. Safety Note	03
3. Specification	04
4. Dimensions	04-05
4. Installation	05 - 08
5. Cleaning & Maintenance	09
6. Guarantee	10
7. Notes	11

## 1. Introduction

Thank you for choosing Bristan, the UK's leading taps and showers expert. We have designed this product with your enjoyment in mind. To ensure that it works to its full potential, it needs to be fitted correctly. These fitting instructions have been created to give you all of the information you need and, if you need any further help, please do not hesitate to give us a call on 0844 701 6273.

## 2. Safety Note

Please read these instruction thoroughly and retain for future use.



All product manufactured and supplied by Bristan are safe provided they are installed correctly, used correctly and receive regular maintenance in accordance with these instructions.

These fittings need to be installed in accordance with and meet the requirements of the Water Supply (Water Fittings) Regulations 1999 and Scottish Byelaws 2004.

Before starting any installation please consider the following:

Prior to drilling into walls, check that there are no hidden electrical wires, cables or water supply pipes. This can be checked with the aid of an electronic detector.

If power tools are used do not forget to:

-  Wear eye protection
-  Unplug equipment after use

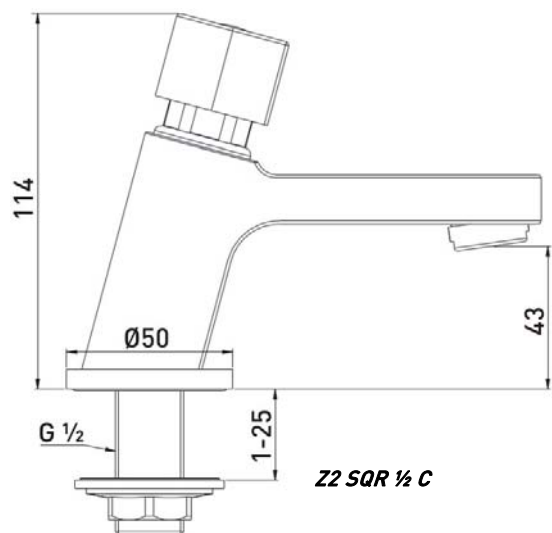
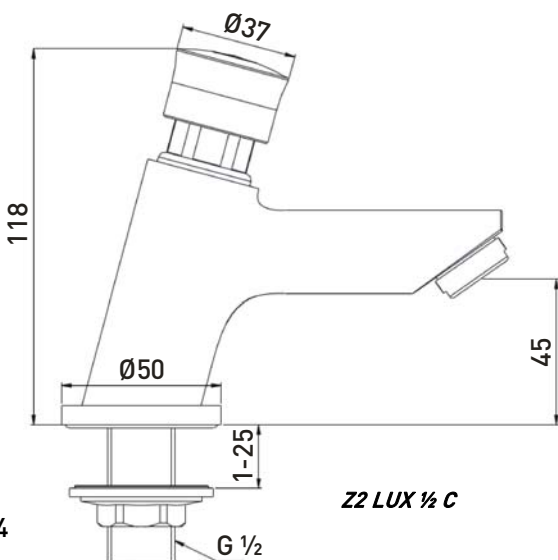
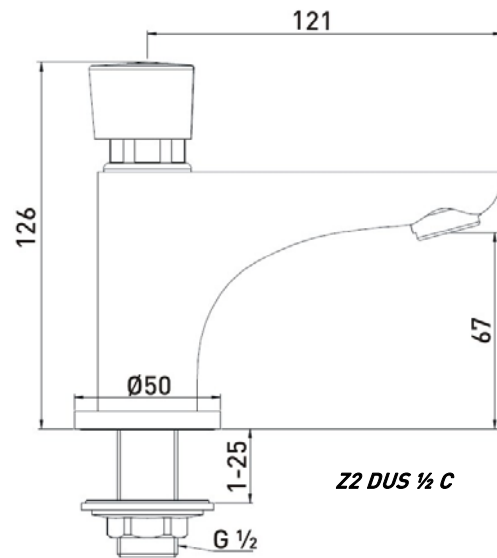
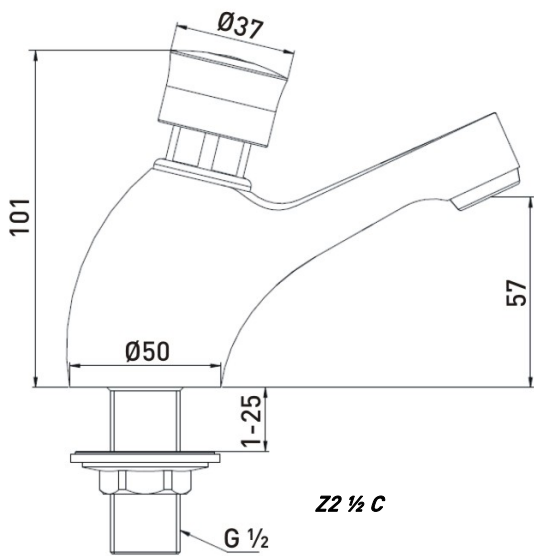
## 3. Specification

Operating pressure range (bar)	Min.	Max.
Z2 ½ C	0.5	5.0
Z2 DUS ½ C	0.5	5.0
Z2 LUX ½ C	0.5	5.0
Z2 SQR ½ C	0.5	5.0
Z2 BIB C	0.5	5.0

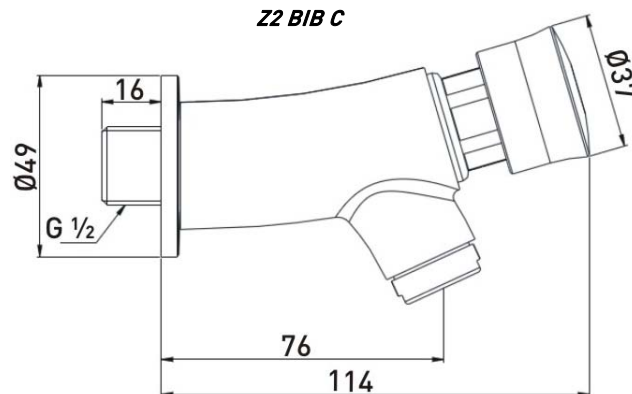
Designed to comply with BS EN 816 Sanitary Tapware Automatic Shut Off Valves and to be used within systems designed to BS 6700.

BS 6700 recommends the temperature of stored water should never exceed 65°C. A stored water temperature of 60°C is considered sufficient to meet all nominal requirements and will minimise the build up of lime scale in hard water areas.

## 4. Dimensions



## 4. Dimensions (cont).



## Installation

### Prior To Installation:

If the supply pressure is above 3 bar a pressure reducing valve must be fitted. All supply pipework should be thoroughly flushed before connecting to the taps to remove any debris in the pipework. Taps should also be installed without using of any sealants. Waterborne debris may damage internal parts. Damage caused by waterborne debris will invalidate the guarantee.

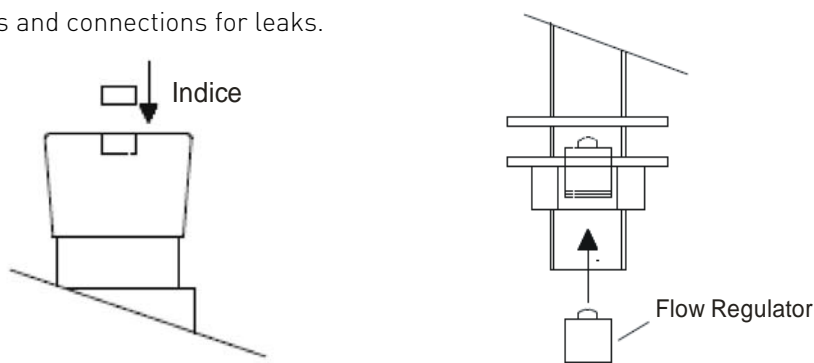
If the fitting is installed at low pressure (tank fed), then the minimum distance from the highest installed position of the outlet to the underside of the cold water tank should be at least 2 metres to ensure adequate performance.

**Operating pressures: Min 0.5 bar, Max 5.0 bar**

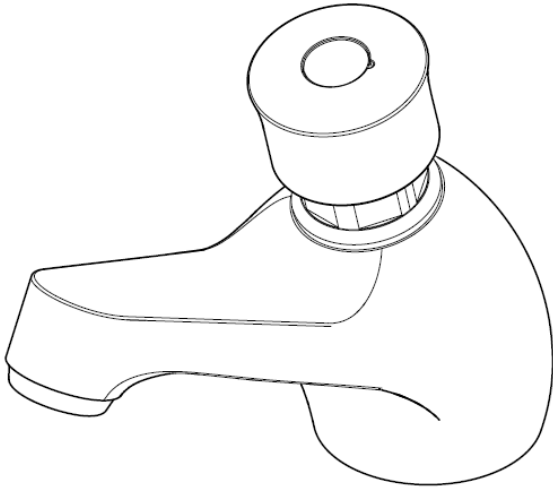
1. Identify all components are present prior to installation.
2. Assemble and fix the tap as shown in the relevant diagram, (see pages 6-8).

**NOTE:-** If the supply pressure is above 1.0 bar it may be advisable to fit the 5 litre per minute flow regulator. The flow limiter should be fitted to the tail of the tap with the arrow pointing upwards and the 'O' ring at the base.

3. Connect the water supply to the tap.
4. The tap is supplied with both red and blue indices, for either hot or cold use. Please ensure that the correct indice is fitted to the correct tap.
5. Turn the water supplies on and operate the tap several times to flush the system.
6. Check all joints and connections for leaks.

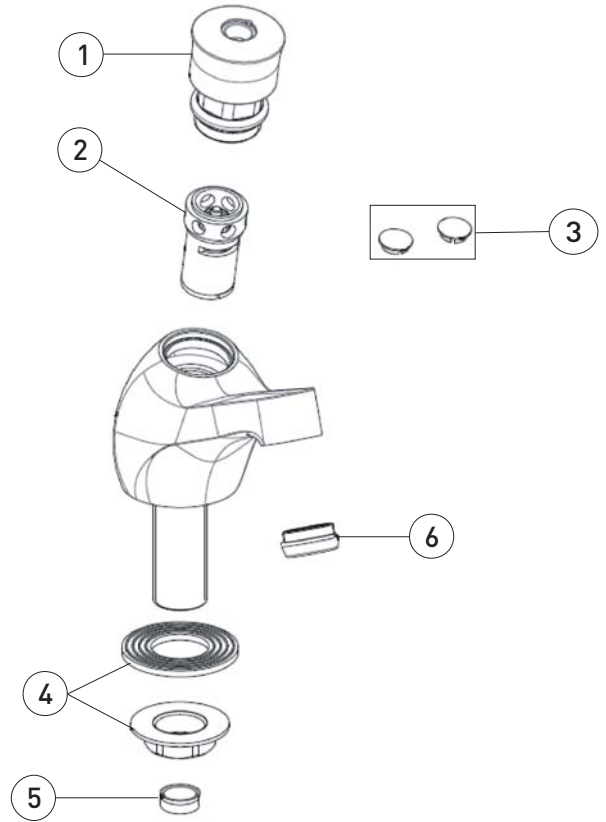


## Installation continued – Z2 1/2 C

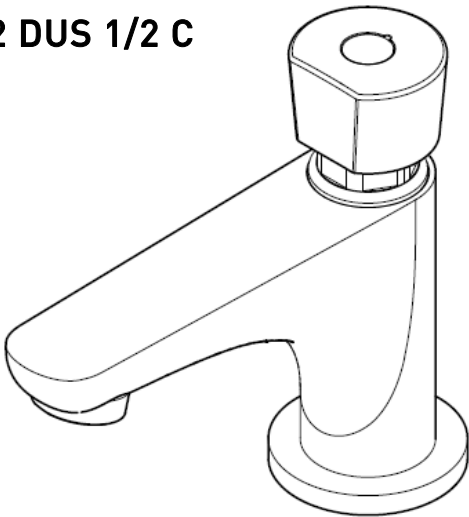


### Parts contents list

1. Handle	x 1
2. Self Closing Valve	x 1
3. Indices (Hot & Cold)	x 1
4. Backnut & Washer	x 1
5. Flow Regulator	x 1
6. Anti-Splash	x 1

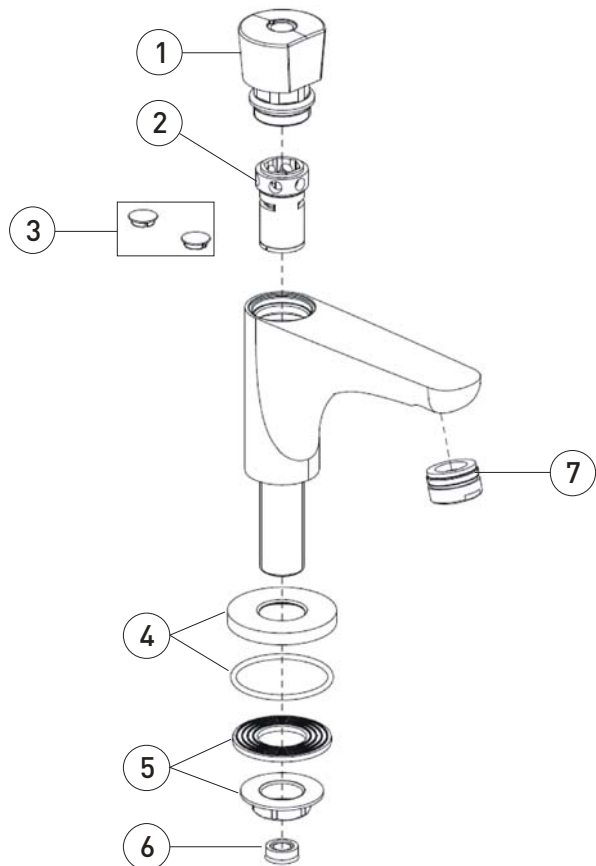


## Z2 DUS 1/2 C

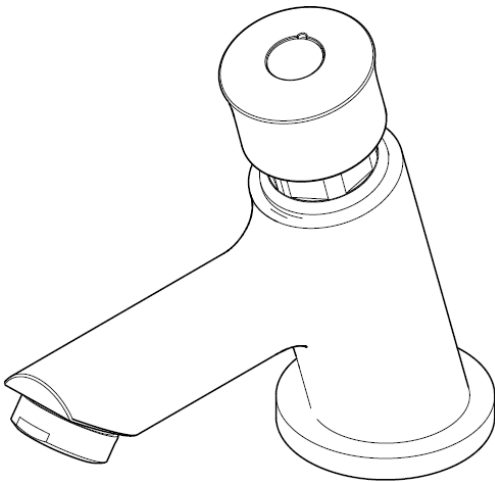


### Parts contents list

1. Handle	x 1
2. Self Closing Valve	x 1
3. Indice (Hot & Cold)	x 1
4. Plinth & O-Ring	x 1
5. Backnut & Washer	x 1
6. Flow Regulator	x 1
7. Anti-Splash	x 1

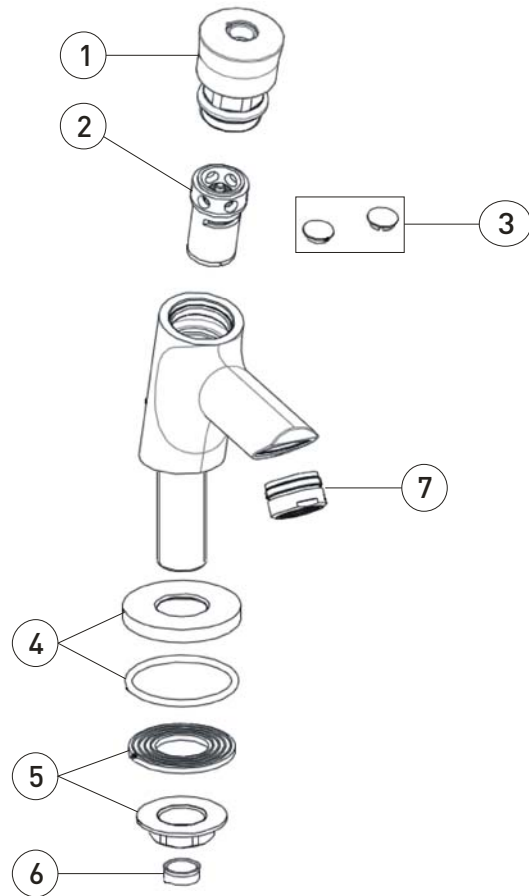


## Installation continued – Z2 LUX 1/2 C

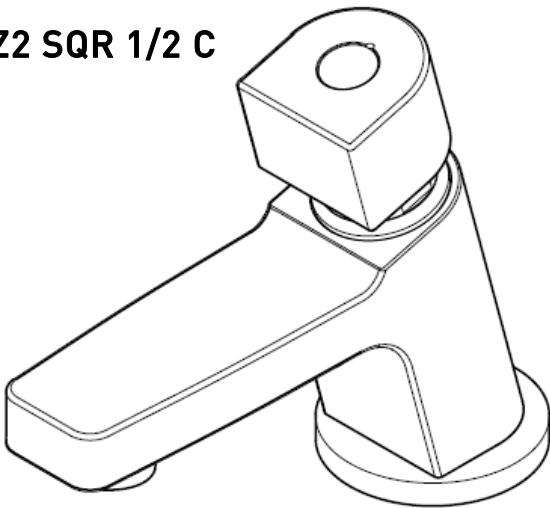


### Parts contents list

1. Handle	x 1
2. Self Closing Valve	x 1
3. Indice (Hot & Cold)	x 1
4. Plinth & O-Ring	x 1
5. Backnut & Washer	x 1
6. Flow Regulator	x 1
7. Anti-Splash	x 1

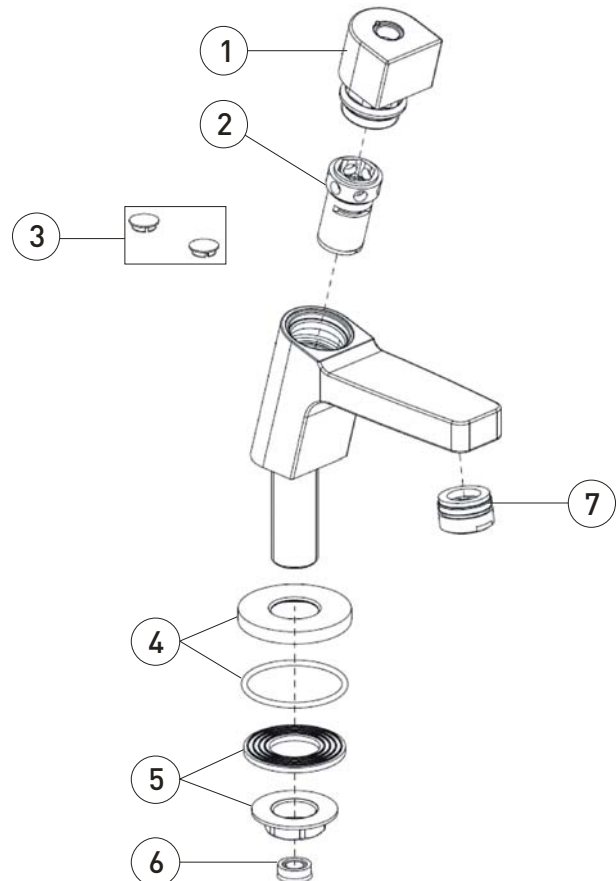


## Z2 SQR 1/2 C

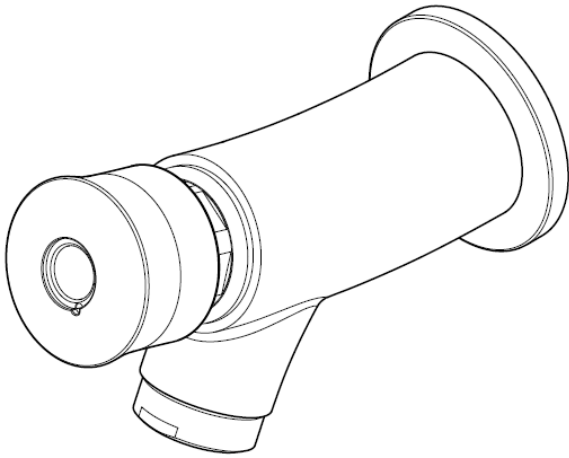


### Parts contents list

1. Handle	x 1
2. Self Closing Valve	x 1
3. Indice (Hot & Cold)	x 1
4. Plinth & O-Ring	x 1
5. Backnut & Washer	x 1
6. Flow Regulator	x 1
7. Anti-Splash	x 1

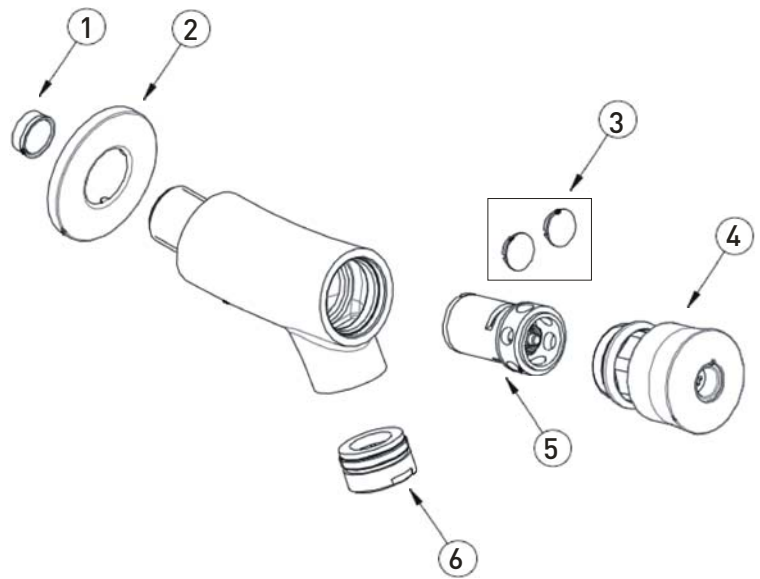


## Installation continued – Z2 BIB C



### Parts contents list

1. Flow Regulator	x 1
2. Plinth	x 1
3. Indice (Hot & Cold)	x 1
4. Handle	x 1
5. Self Closing Valve	x 1
6. Anti-Splash	x 1



## 5. Cleaning & Maintenance

Your fitting has a high quality finish and should be treated with care to preserve the visible surfaces.

All finishes will wear if not cleaned correctly. The only safe way to clean your product is to wipe with a soft damp cloth. Stains can be removed using washing up liquid. All bathroom cleaning products (powders and liquids) will damage the surface of your fitting, even the non-scratch cleaners.

NOTE:- Never use abrasive detergents or disinfectants or those containing alcohol, hydrochloric or phosphoric acid.

We advise that your fitting is regularly serviced, particularly in hard water areas.

Traditional type valves: if the fitting leaks from the spindle.

1. Remove fitting handle (if necessary).
2. Tighten the gland nut on top of the valve.

All valve types- if the fitting begins to drip:-

1. Turn off the water supplies.
2. Remove fitting handle and valve.
3. Carefully clean the valve seating and rubber washer.
4. Replace valve and then turn on the water supplies.
5. If the problem persists contact our helpline quoting the product code overleaf.

Bristan recommend E-Cloth for cleaning all of our bathroom & kitchen products. Using just water, E-cloth gives a smear free, deep clean by breaking up and holding dirt, which normal cloths leave behind. Order through your Bristan stockist.

**(ORDER CODE: E-CLOTH)**



## Bristan Guarantee

### Taps and Mixers

At Bristan, we want to make things as easy as possible for our customers. That's why we design products that are easy to fit and use, and that are quality tested to make sure they won't let you down. It's also why we offer solid guarantees on all products, effective from the date of purchase, to give you peace of mind.



**Guarantee**

All Bristan commercial taps are covered by a **1 year guarantee**. This also includes **1 year labour cover\*** which means that, in the unlikely event there is a problem in the first year after purchase, we'll send one of our expert engineers to fix it.

\*Labour is provided by an approved Bristan Care engineer or appointed representative. The guarantee only applies to products with a manufacturing fault. There will be a call out charge for any incidents where no fault has been found with the product, or if the issue is due to poor installation or maintenance.

### Guarantee Terms and Conditions

This guarantee is in addition to your statutory and other legal rights and is subject to the following conditions:

- The product was purchased within the United Kingdom or Republic of Ireland.
- The guarantee applies solely to the original purchaser with proof of purchase.
- The installation must allow ready access to all products for the purpose of inspection, maintenance or replacement.
- Repair under this guarantee does not extend the original expiry date. The guarantee on any replacement parts or product ends at the original expiry date.
- Any part found to be defective during the guarantee period will be replaced without charge, providing that the product has been installed in accordance with the instructions given in this guide and used as the manufacturer intended.

### The Guarantee Does Not Cover:

- Damage or defects caused by
  - General wear and tear (including special non-chrome finishes; components such as filters, seals, 'O' rings and washers)
  - Incorrect installation
  - Repair using non-Bristan parts
  - Accidental or wilful misuse
  - Corrosion and the use of inappropriate cleaning products.
  - System debris including the build up of limescale (which can be controlled through regular servicing and maintenance)
- Compensation for loss of use of the product or consequential loss of any kind.

In the interests of continuous product improvement, Bristan reserves the right to alter product specifications without notice.

The Bristan Product Guarantee does not affect your statutory rights as a consumer.

### **Need help?**

If the product does not function correctly when first used, contact **Bristan Care Customer Service on 0844 701 6273** where our expert team of advisors will be able to offer you help and advice.

**Spare parts** We hold thousands of spares and we keep them for discontinued products for over seven years. Spares can easily be ordered online at [www.bristan.com](http://www.bristan.com) and are dispatched the same day.

**Notes:**

Please use this space to add any notes which you or your installer may have regarding the plumbing and/or installation of the product:

# BRISTAN

This booklet covers all product codes

Z2 ½ C

Z2 DUS ½ C

Z2 LUX ½ C

Z2 SQR ½ C

Z2 BIB C

**Helpline**

**0844 701 6273**

Bristan Group Limited

Birch Coppice Business Park, Dordon, Tamworth, Staffordshire B78 1SG

A Masco Company

Website: [www.bristan.com](http://www.bristan.com)

Telephone: 0844 7016 274      Facsimile: 0844 701 6275

Email: [enquire@bristan.com](mailto:enquire@bristan.com)