

## TECHNICAL DATA SHEET

### SELF CLOSING

#### Single Basin Soft Touch Timed Flow Tap (with flow regulator)

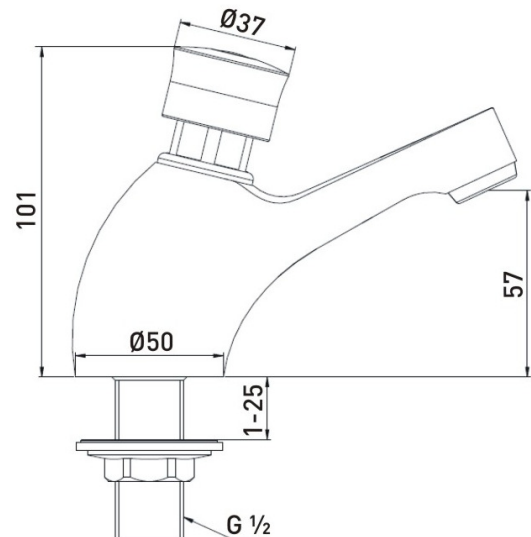
#### Product Specification

Product Code:	Z2 ½ C
Finish:	Chrome
Product Type:	Utility
Construction:	Body is of brass construction and is designed to conform to BS EN 200
Valve Type:	Self closing valve
Supply:	Suitable for all plumbing systems
Inlet Connections:	½" BSP
Working Pressures:	Min 0.5bar, Max 5.0bar



### Additional Information

- Supplied with flow limiter to reduce flow to a max of 6 l/min
- Approximately 9 second shut off
- Supplied with cold and hot indices for either installation.
- Chrome plated to BS EN 248.



**Technical Advice:** For further information please call 0844 7016273  
or email [customer@bristan.com](mailto:customer@bristan.com)

**Guarantee:** 1 year covering manufacturing faults.

### Compliance / Approvals

**WRAS:** Certificate No: 1401911

### Flow Rates (litres per minute)

System Pressure	0.2bar	0.5bar	1bar	2bar	3bar	5bar
Z2 ½ C (with flow regulator)	2.6	4.4	5.2	5.2	4.7	--
Z2 ½ C (without flow regulator)	5.0	14.0	21.0	29.0	--	--

Bristan, Birch Coppice Business Park, Dordon, Tamworth, B78 1SG  
Telephone: 0844 701 6274 Facsimile: 0844 701 6275  
Web Site: [www.bristan.com](http://www.bristan.com) Email: [enquire@bristan.com](mailto:enquire@bristan.com)



The information contained on this page was correct at date of issue. Fitting dimensions are provided as a guide only. Some variation may occur due to manufacturing tolerances. Bristan pursues a policy of continuing improvement in design and performance of its products and so reserves the right to change specifications without prior notice.