

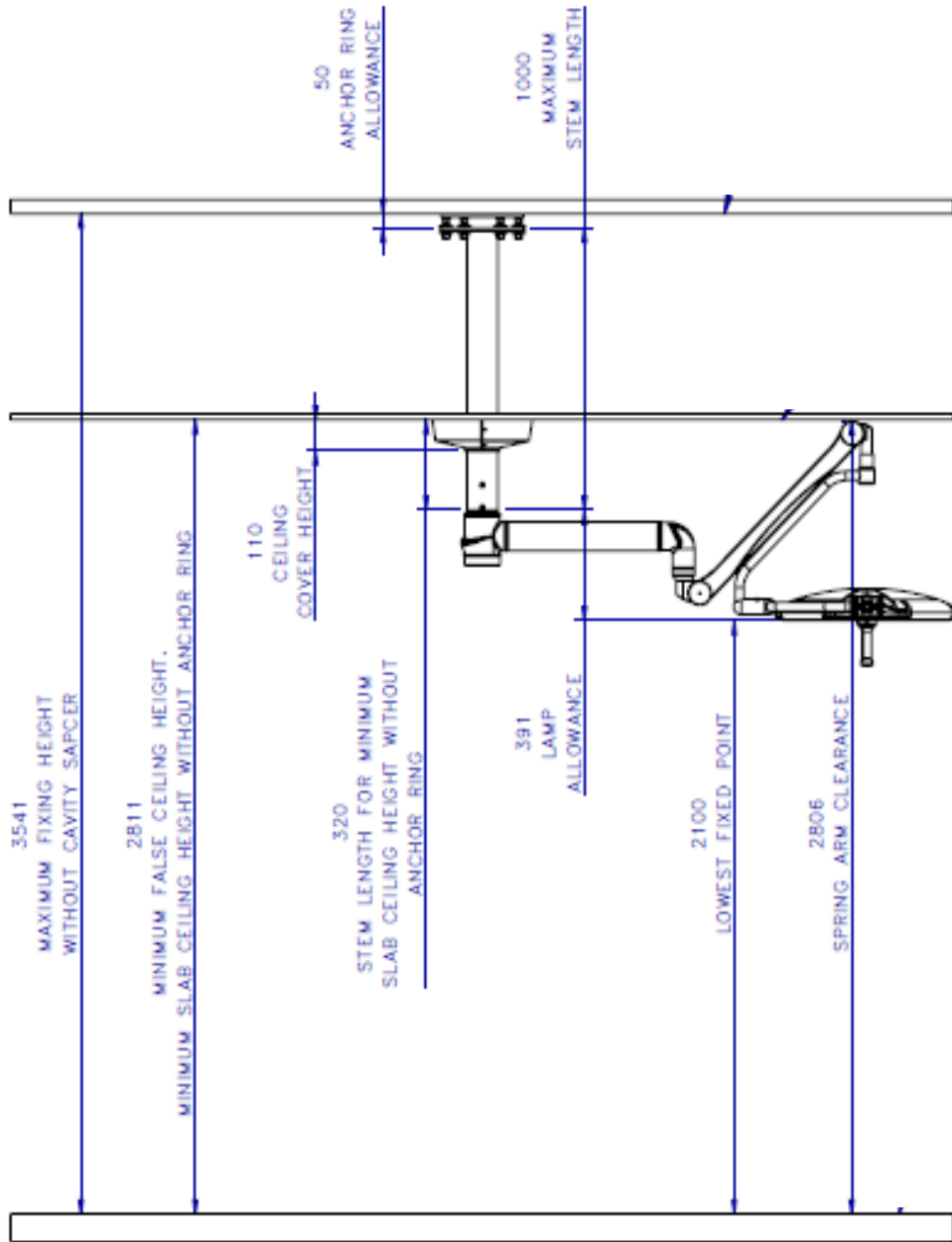
Quasar Qe60 std Ceiling Mounted Minor Surgical Lamp

General	Qe60
Mark of conformity	CE
Medical device classification	1
Number of light sources	90
Type of light source	HD-LED
LED life	>60,000 Hours
Removable Sterile Handle	Yes
Electrical	
Electrical Classification	1
Nominal Power Consumption	2.07A/48W
MCB Rating	6A Type B
Safety Compliance	IEC60601
EU Conformance (CE)	93/42/EEC
Voltage stabilisation (Electronic)	Yes
Permissible ambient temperature range during operation	0-40° C
Degrees of protection: Light head	IP54
Photometric	
Maximum Light Intensity ($\pm 10\%$)	160,000 Lux
Light Field Diameter (d10 Distance of 1m)	200-420mm
Light Field Diameter (d50 Distance of 1m)	120-250mm
Comfort Halo (@1m)	2000mm
Beam uniformity d50/d10 Ratio	0.6
Nominal Working Distance	1m
Colour Rendering index Ra(CR1)(R1-R8)	95
Colour Rendering of Saturated Red R9	95
Adjustable Colour Temperature Range 5 Steps (Kelvin)	3100-5000
Electronically Dimmable Range	5-100%
Endoscopy Setting	5%
Depth of Illumination (without refocusing) L1/L2@60%	700mm
Depth of Illumination (without refocusing) L1/L2@20%	1300mm
Radiant Energy	<3.31mW/m sqm Lux
Infrared Content	0
Temperature Increase in Surgeons Head Area	<1° C

As part of Brandon Medical policy of continuous improvement, Brandon Medical reserves the right to change specifications as and when product improvements become available.

Mechanical	
Weight of Lamp Head	10.9Kg
Diameter of Lamp Head	630mm
Total Weight	117KG (Max)
Anti-microbial Surfaces	Yes
Rotation About Central Axis	360°
Rotation About End of Horizontal Arm	360°
Lamp Head Roll Rotation	170° max
Lamp Head Pitch Rotation	230° max
Height Adjustment Up From Horizontal	45° max
Height Adjustment Down from Horizontal	50° max
Removable sterilisable handles	Sterilisable at 137°C
1 st Arm Radius (max)	775mm
2 nd Arm Radius (max)	940mm
Total Arm Radius (reach)	2145mm
Diameter of Ceiling Anchor Plate	305mm
Force required for moving light head up/down	Down 11N / Up 31N
Ceiling Cowl Dimensions	375mm

As part of Brandon Medical policy of continuous improvement, Brandon Medical reserves the right to change specifications as and when product improvements become available.



Revision	A1													
Changed by	K.T													

As part of Brandon Medical policy of continuous improvement, Brandon Medical reserves the right to change specifications as and when product improvements become available.

As part of Brandon Medical policy of continuous improvement, Brandon Medical reserves the right to change specifications as and when product improvements become available.