

STARR

designed by Boss Design





| starr



| Starr is a multi-purpose high density stacking chair that towers above the competition with its highly contoured, slim-line appearance and ability to stack 45 chairs high on a trolley.



| Ideally suited to conference, meeting, training, dining and visitor areas, Starr's seat and back have been ergonomically designed to ensure the most comfortable sit over long periods of time.



| Starr is available with or without arms and may be specified with a plastic seat and back or an upholstered seat and plastic back.

| the range



Black plastic seat and back
Available with or without arms



Plastic seat and back - available in
light blue, dark blue, light grey, dark
grey, green, orange, red, white and
yellow
Available with or without arms



Black plastic back
Upholstered seat
Available with or without arms



Plastic back - available in light blue,
dark blue, light grey, dark grey,
green, orange, red, white and yellow
Upholstered seat
Available with or without arms





Since 1983 Boss Design has supplied furniture to the meeting and conferencing sector.

Our clients include: International Convention Centre (ICC) Birmingham, Convention Centre Dublin (CCD), Edinburgh International Convention Centre (EICC) and Hilton Hotels Corporation.

The photograph shown is from an installation at the Heritage Motor Museum in Gaydon.

| starr



features



| writing tablet

A detachable black laminate writing tablet is available on the arm chair and non-arm chair. The writing tablet is right handed.



| robust chrome frame

The skid frame on Starr is of 11mm round, solid, steel rod.



| linking

Starr is available with floor linking glides which provide a strong, reliable connection when in use.



| trolley

A stacking trolley is available for Starr allowing non arm chairs to be stacked 45 high and armchairs to be stacked 30 high.

Ideally suited to environments that demand large numbers of chairs that can be easily stored when not in use. When stacked on a trolley the floor space required is less than one square metre.



| stacking buffers

Uniquely tooled to aid installation on high stacks and protect individual chairs through the addition of a soft felt insert.

finishes

| standard colours available on the plastic chair



White



Light Grey



Dark Grey



Black



Light Blue



Dark Blue



Green



Yellow



Orange



Red

| choice of finishes

The plastic chair can be specified in the standard colours shown above. Black is available on a 2 week lead time.

When specified with arms, the colour of the arms will match the plastic back.

You can also specify this chair with an upholstered seat.

environment

The Starr range has been designed with the needs of the user and the environment in mind and has been designed to minimise any negative effect on the environment.

During its life, components such as the seat and back can be easily removed and replaced if required. The seats, backs, armrests, frames and chroming are all produced in accordance with the ISO:14001 standards. At the end of its life Starr can simply be disassembled so that each component can be appropriately recycled.

Presented with the Queen's Award for Sustainable Development 2009, FSC accredited and a carbon neutral company, we only work with like minded suppliers who use raw materials and components obtained only from ethical sources.

Uncompromising on quality, we purchase materials with a high recycled content. We work closely with local suppliers and constantly review our global logistics operation to ensure we minimise any negative impact on the environment.

We actively monitor the carbon footprint of our products throughout their life-cycle to ensure they meet Boss Design's environmental policy.

We partner with the Greenworks organisation to deliver our award winning end-of-life product management process, where we arrange for our client's old furniture items to be collected and redistributed to charities and other good causes. Alternatively, unsuitable furniture is always broken down and recycled.

| starr ecological credentials

Returnable packaging	CFC & HCFC free
Carbon neutral	Yes
Climate neutral	BS EN ISO 14001

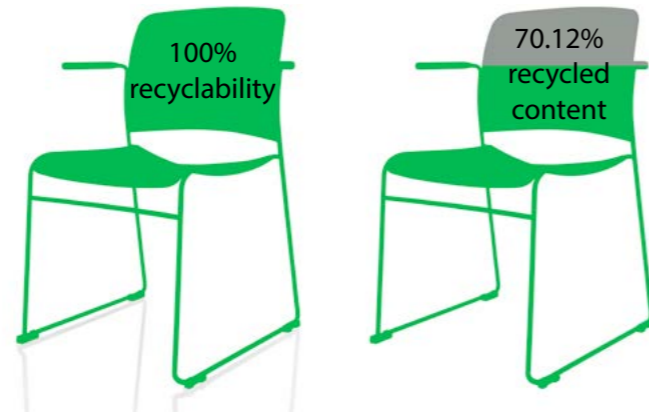
Starr armchair, plastic seat & back

Recycled content	70.12%
Recyclability	100%
CO ₂ per 1000 units	26.87 tonnes
CO ₂ per unit	0.027 tonnes

Data correct February 2013

furniturefootprinter™

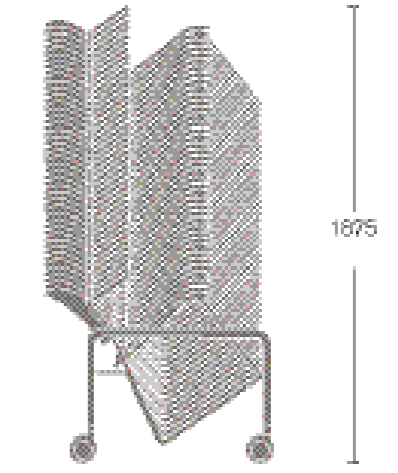
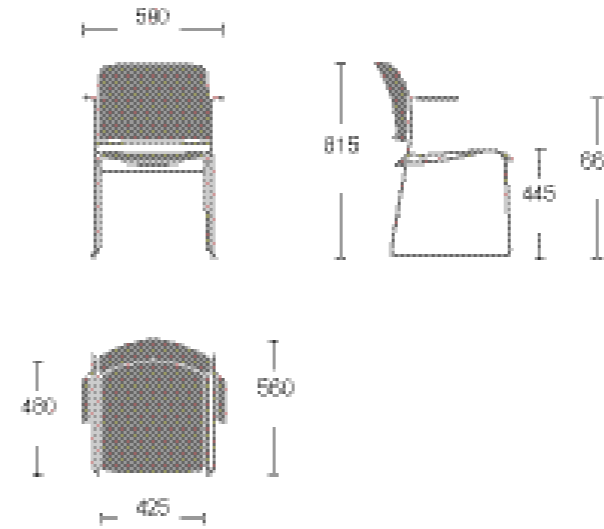
Verified by 



dimensions & technical information

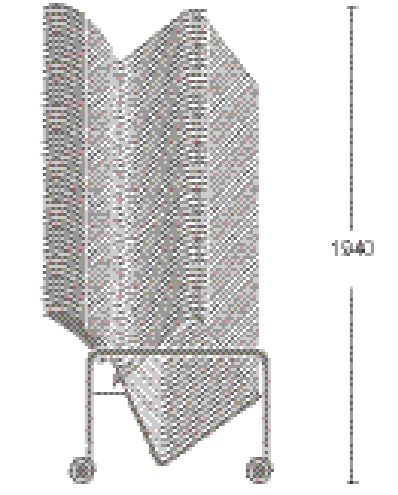
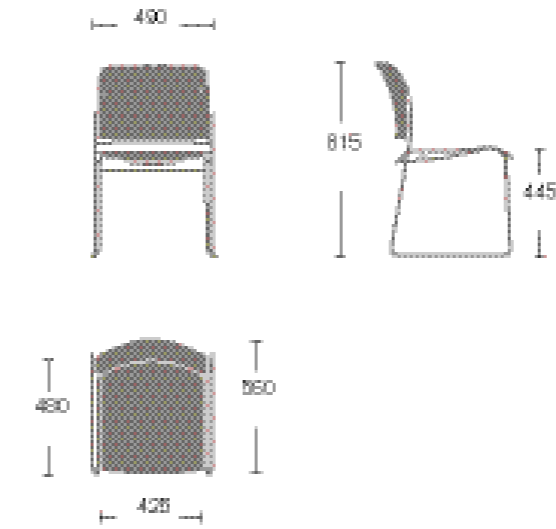
The Starr high density lightweight stacking chair offers a highly functional and stylish solution for a wide variety of environments and has been certified to BS EN 15373 level 2.

Arm Chair



40 Arm Chairs on trolley

Non-Arm Chair



45 Non-Arm Chairs on trolley

OPTIONS

- Arms
- Writing Tablet
- Stacking Trolley
- Floor Linking Glides







Part of the Boss Design Group

|
Boss Design Ltd

www.boss-design.co.uk
sales@boss-design.co.uk

|
Head Office

Boss Drive
Dudley
DY2 8SZ
United Kingdom

T:+44(0) 1384 455 570
F:+44(0) 1384 241628

|
London Showroom

7 Clerkenwell Road
London
EC1M 5PA
United Kingdom

T:+44(0) 20 7253 0364
F:+44(0) 20 7608 0160