

Luge

boss
design

Luge



Product Sheet

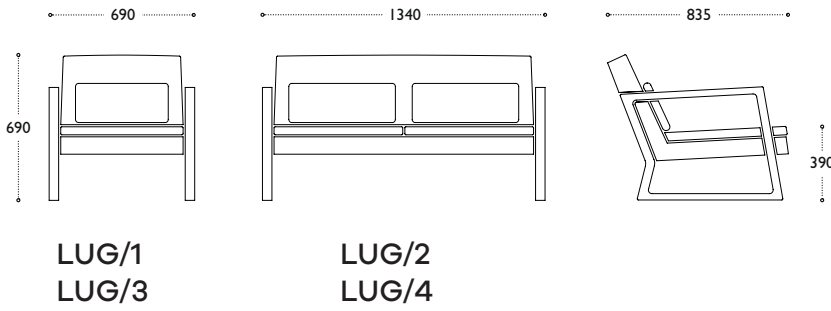
Product features

- Solid hardwood timber frame
- CMHR foam and fibre seat
- Foam back cushion
- Webbed seat and back support
- Linear stitch detail on seat and back
- Removable lumbar cushion
- Side & Coffee Tables also available with white table top upon request



Upholstery

Luge



Environmental Product Breakdown - range overview

Based on UK Manufacture



Materials	Weight (kg)	Weight (%)	Recycled Content (%)	Recyclability (%)
Birch	4.11	29.27%	0%	100%
Tulipwood	1.14	8.1%	0%	100%
Plywood	0.57	4.04%	0%	100%
Oak	6.02	42.92%	0%	100%
Polyurethane	1.6	11.46%	0%	100%
Zinc	0.008	0.06%	0%	100%
Steel	0.2	1.4%	0%	100%
Nylon	0.03	0.24%	0%	100%
PP Textile	0.2	1.48%	0%	0%
Rubber	0.14	0.98%	0%	100%
Plastic	0.009	0.06%	0%	100%

Ecological Credentials



Recycled Content (%)	Recyclability (%)
Recycled Content	0%
Recyclability	99.5%
Returnable Packaging	CFC & HCFC Free

CO² Measure



The total CO² measure has been officially verified by FIRA and includes utilities and transport from suppliers.

CO² per 1000 units - 31.47 tonnes
CO² per unit - 0.031 tonnes

UK Global HQ
Boss Drive
Dudley
West Midlands, DY2 8SZ
T +44 (0) 1384 455570
E europe@bossdesign.com

London Showroom
7 Clerkenwell Road
London EC1M 5PA
T +44 (0) 20 7253 0364
bossdesign.com