

ZANDI

ZANDI

boss
design

Designed by Paul Brooks



Boss Design Group

*Head Office
Boss Drive Dudley West Midlands
DY2 8SZ United Kingdom
T: +44 (0)1384 455 570
F: +44 (0)1384 241 628*

sales@boss-design.co.uk

*London Showroom
7 Clerkenwell Road London
EC1M 5PA United Kingdom
T: +44 (0) 20 7253 0364
F: +44 (0) 20 7608 0160*

www.bosssdesigngroup.com

boss
design group

boss | LYNDON | KOMAC | Unifi
design | DESIGN

MULTI PURPOSE

Designed by Paul Brooks, Zandi is a multi purpose stacking chair ideally suited to cafés and dining areas.



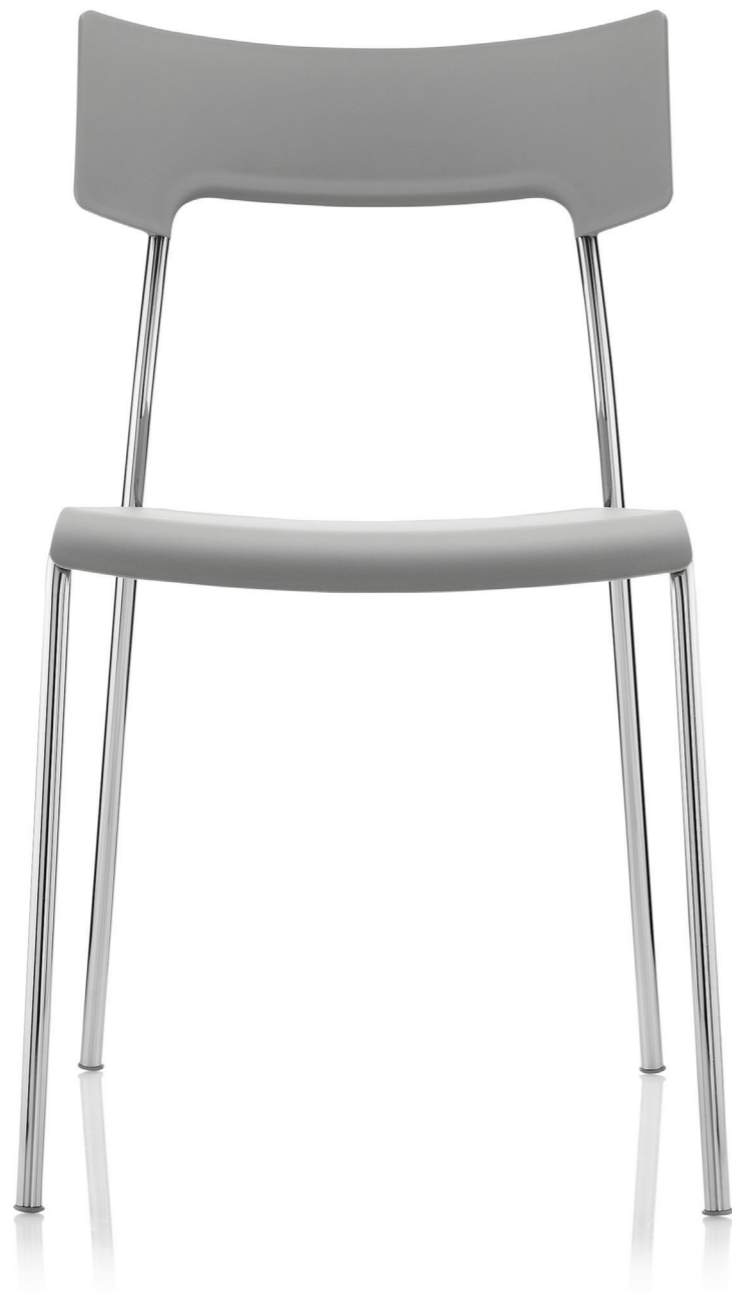
The compact and comfortable Zandi is the ideal chair where space is at a premium.

Zandi is available with a plastic back and seat, or with a plastic back and upholstered seat for added comfort.

FORM+ FUNCTION

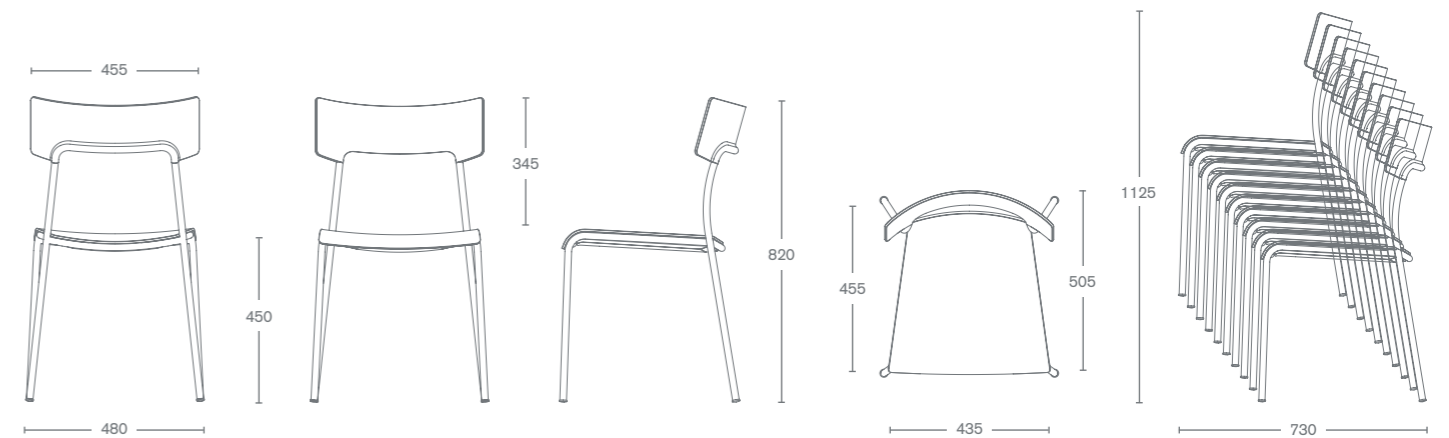
Zandi's simplistic and traditional form features a modern twist with the distinctive back rest integrating flawlessly with the steel frame.

Complete with a chrome or painted frame, this non-arm chair comes in a selection of 7 colours to suit a variety of interior spaces and to provide maximum visual impact.



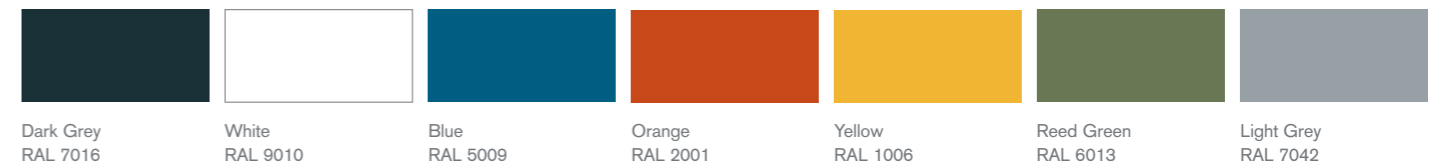


SPECIFICATIONS



Zandi Plastic Colour Finishes

Painted frames can be matched to the plastic colours below.



Our Environmental Credentials

At Boss Design we are passionate about caring for our environment. We are a carbon neutral company, FSC certified and the proud holder of the Manufacturing Guild Mark Award. We purchase raw materials with the highest recycled content and work with like-minded suppliers who use materials and components obtained only from ethical sources.

We constantly review our global logistics operation to ensure that we minimise any negative impact on the environment.

We actively monitor the carbon footprint of our products throughout their life-cycle and work closely with community transport to deliver our award winning end-of-life product management process.

