

# Higham Post and Rail

## DETAILED DESCRIPTION:

The Higham single rail post features a 'doorknob' styled head, set above a 'smoothed off' square mount, with then a wide cuff ring, in turn set above a deep octagonal plinth, which in turn is mounted on a square base, the upper levels of which are pared back. Having no further embellishment, this means that the Higham single rail post can be set at any level to suit positioning of the rail.

Inner structural steel core, engineering grade polymer manufactured from renewable sources. Highest quality UV filters and high performance two part polyurethane paint.

All our polyurethane products are virtually maintenance free.



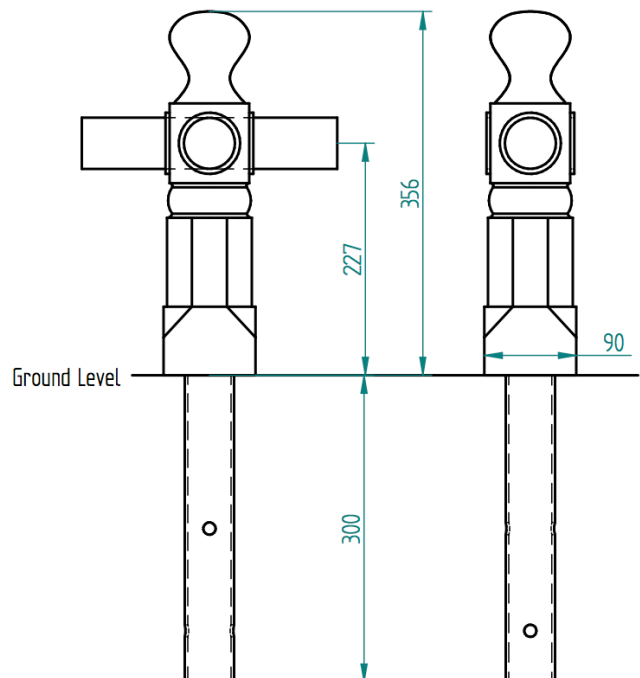
## PRODUCT SPECIFICATION:

356 mm above ground  
300 mm below ground  
90 mm at widest point

Root fixed or bolt down

Black RAL 9005 as standard  
Other RAL colours available on request

Bespoke logos, Reflective bands, Painted bands,  
Decorative highlighting, Chain eyes



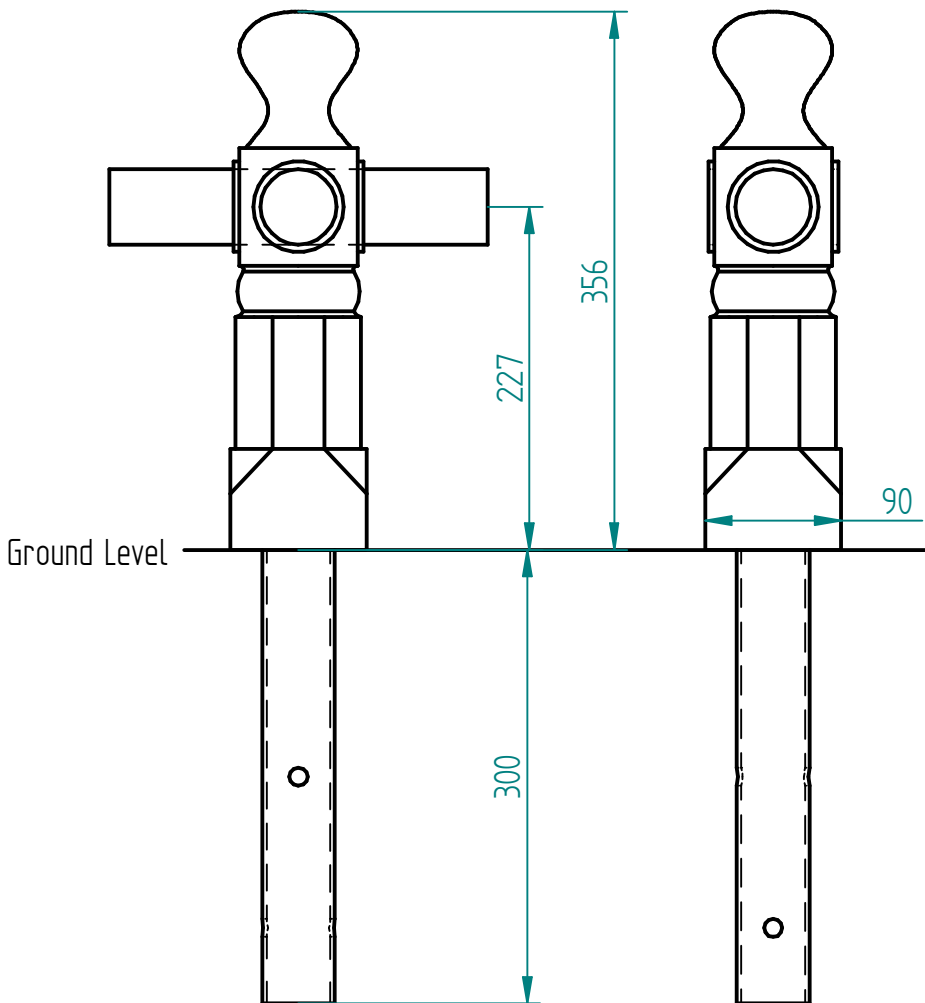
[sales@bollards-international.com](mailto:sales@bollards-international.com)

**Bollards International**

Station Road, Roydon, King's Lynn, Norfolk, PE32 1AW Tel: 01485 601145 Fax: 01485 601144 [www.bollards-international.com](http://www.bollards-international.com)

Manufacturers of Enviro-Cast™ Street Furniture

# Higham Post and Rail



**Measurements:**

356 mm above ground  
300 mm below ground  
90 mm at widest point

**Fixings:**

Root, bolt down or removable

**Composition:**

Inner structural steel core,  
engineering grade polymer  
manufactured from renewable  
sources

**Finish:**

High performance, aviation  
grade, two part polyurethane  
paint. Available in any RAL  
colour

All our polyurethane products  
are virtually maintenance free  
and built to last

Steel Dia.	Scale	DATE
48.2 mm	1:5	10/07/14

UNLESS OTHERWISE SPECIFIED  
DIMENSIONS ARE IN MILLIMETERS

[sales@bollards-international.com](mailto:sales@bollards-international.com)

**Bollards International**

Station Road, Roydon, King's Lynn, Norfolk, PE32 1AW Tel: 01485 601145 Fax: 01485 601144 [www.bollards-international.com](http://www.bollards-international.com)

Manufacturers of Enviro-Cast™ Street Furniture