

Cambridge Bollard



DETAILED DESCRIPTION:

For use in the Cambridge area, the specially designed Cambridge bollard has a spherical shaped top and square base, with vertical recesses for reflective banding if required. See Gateshead and Yarmouth bollards for similar designs.

Inner structural steel core, engineering grade polymer manufactured from renewable sources. Highest quality UV filters and high performance two part polyurethane paint.

All our polyurethane products are virtually maintenance free.

**Due to copyright this bollards can only be installed in the Cambridge area.*

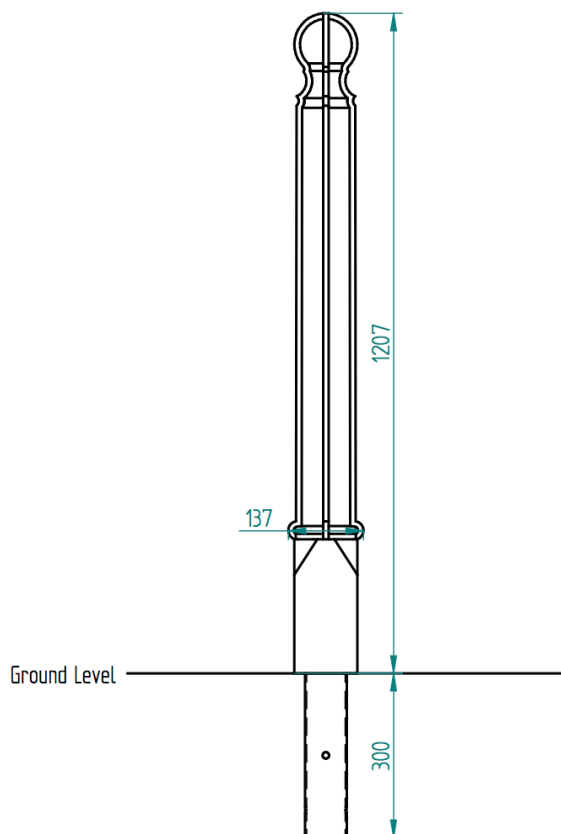
PRODUCT SPECIFICATION:

1207 mm above ground
300 mm below ground
137 mm at widest point

Root fixed, bolt down or removable

Black RAL 9005 as standard
Other RAL colours available on request

Bespoke logos, Reflective bands, Painted bands,
Decorative highlighting, Chain eyes



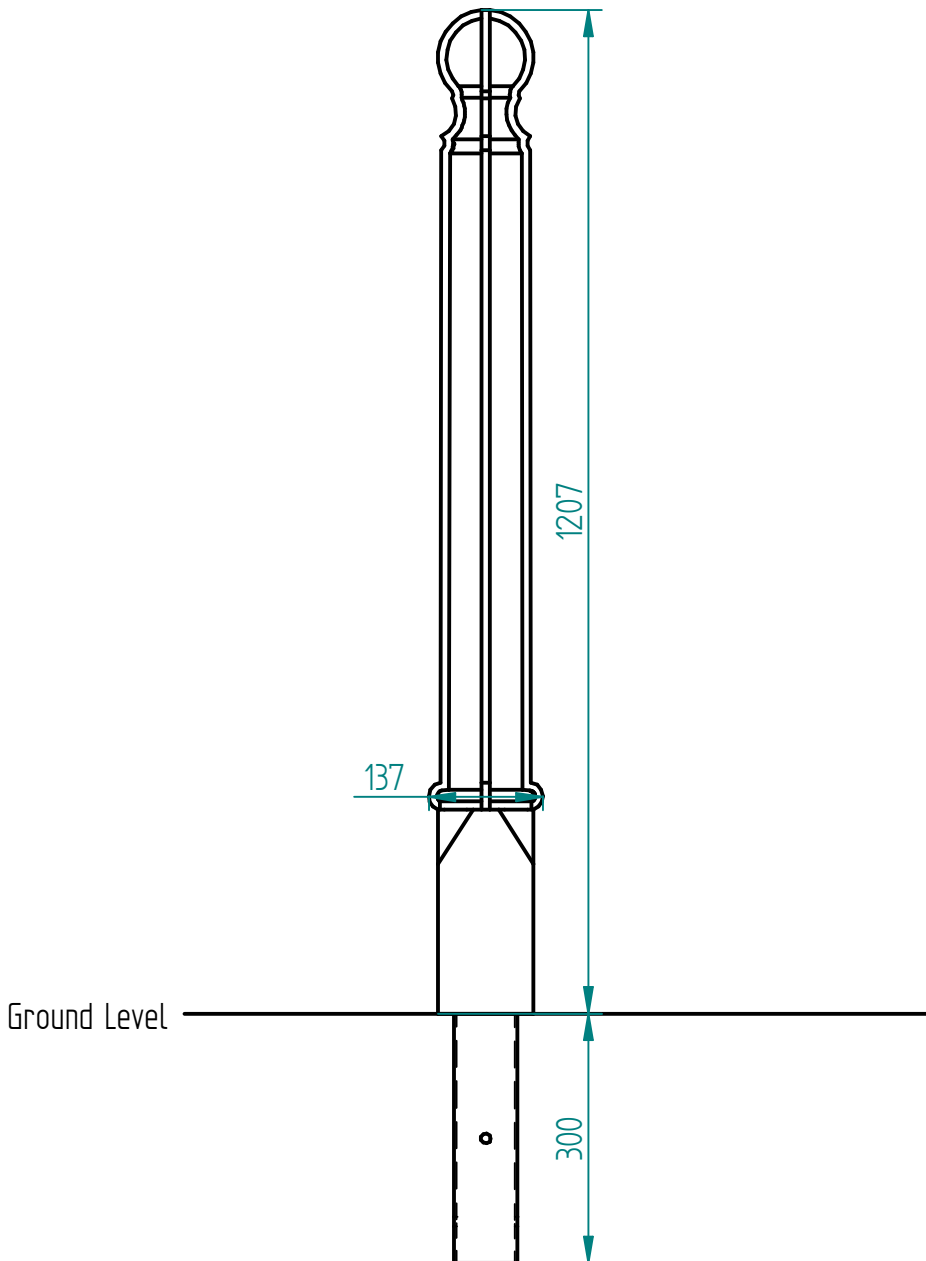
sales@bollards-international.com

Bollards International

Station Road, Roydon, King's Lynn, Norfolk, PE32 1AW Tel: 01485 601145 Fax: 01485 601144 www.bollards-international.com

Manufacturers of Enviro-Cast™ Street Furniture

Cambridge Bollard



Measurements:

1207 mm above ground
300 mm below ground
137 mm at widest point

Fixings:

Root, bolt down or removable

Composition:

Inner structural steel core,
engineering grade polymer
manufactured from renewable
sources

Finish:

High performance, aviation
grade, two part polyurethane
paint. Available in any RAL
colour

All our polyurethane products
are virtually maintenance free
and built to last

| Steel Dia. | Scale | DATE |
|------------|-------|----------|
| 76.1 mm | 1:9 | 11/12/14 |

UNLESS OTHERWISE SPECIFIED
DIMENSIONS ARE IN MILLIMETERS

sales@bollards-international.com

Bollards International

Station Road, Roydon, King's Lynn, Norfolk, PE32 1AW Tel: 01485 601145 Fax: 01485 601144 www.bollards-international.com

Manufacturers of Enviro-Cast™ Street Furniture