

Caerphilly Bollard



DETAILED DESCRIPTION:

The sleek, sculptured design of the Caerphilly bollard provides a very modern look, ideal perhaps for new developments, or updating existing sites. The semi-domed shape adds interest, and the look can be altered considerably depending on the selected colour: go for gold, stylish silver, or a fluorescent finish – the choice is yours.

Inner structural steel core, engineering grade polymer manufactured from renewable sources. Highest quality UV filters and high performance two part polyurethane paint.

All our polyurethane products are virtually maintenance free.

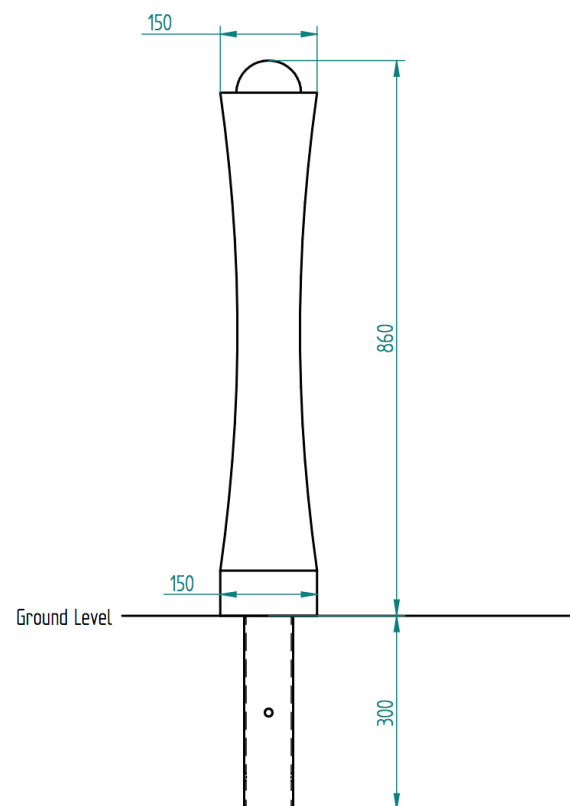
PRODUCT SPECIFICATION:

860 mm above ground
300 mm below ground
150 mm at widest point

Root fixed, bolt down or removable

Black RAL 9005 as standard
Other RAL colours available on request

Bespoke logos, Reflective bands, Painted bands,
Decorative highlighting, Chain eyes



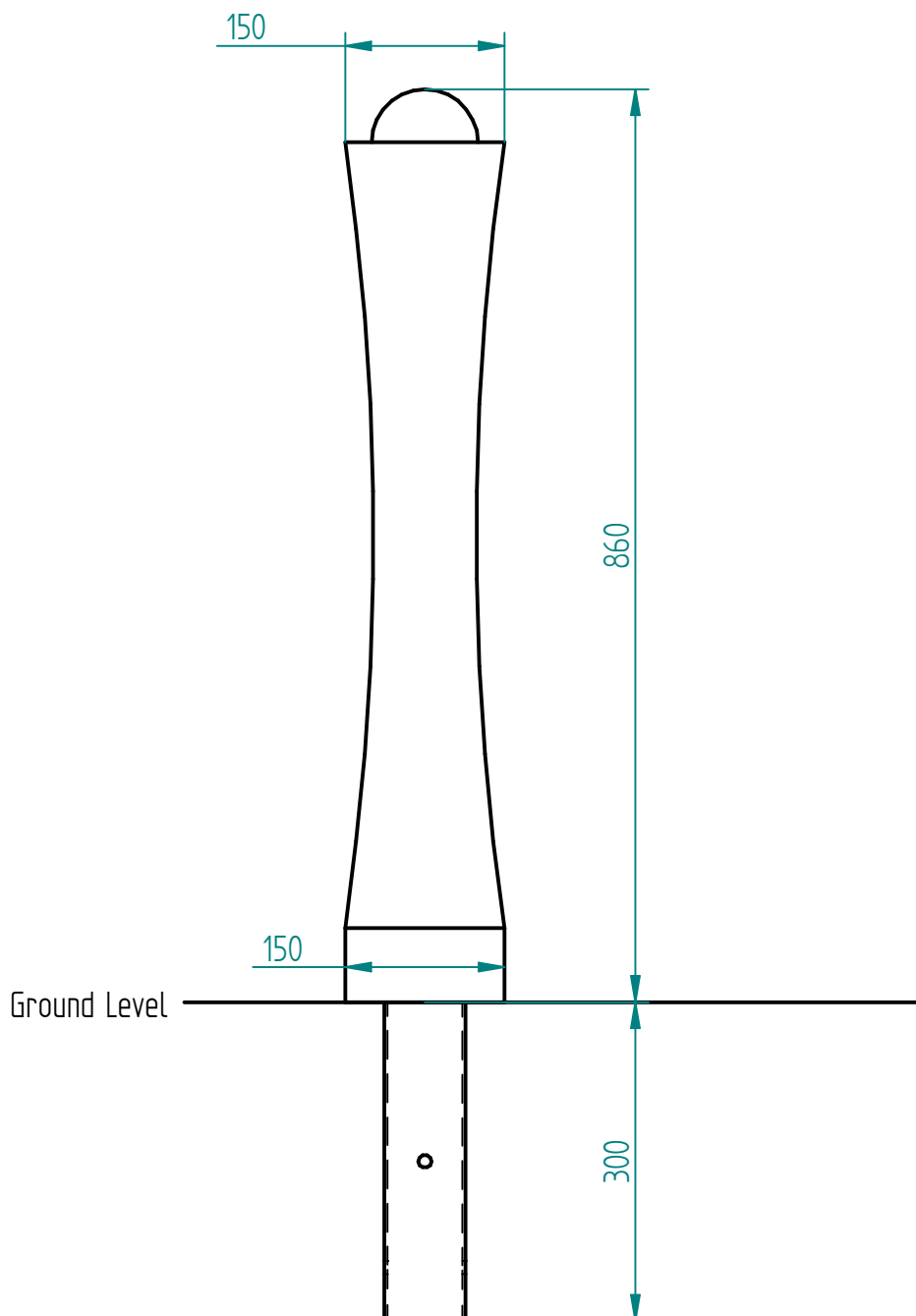
sales@bollards-international.com

Bollards International

Station Road, Roydon, King's Lynn, Norfolk, PE32 1AW Tel: 01485 601145 Fax: 01485 601144 www.bollards-international.com

Manufacturers of Enviro-Cast™ Street Furniture

Caerphilly Bollard



Measurements:

860 mm above ground
300 mm below ground
150 mm at widest point

Fixings:

Root, bolt down or removable

Composition:

Inner structural steel core,
engineering grade polymer
manufactured from renewable
sources

Finish:

High performance, aviation
grade, two part polyurethane
paint. Available in any RAL
colour

All our polyurethane products
are virtually maintenance free
and built to last

Steel Dia.	Scale	DATE
76.1 mm	1:6	10/07/14
UNLESS OTHERWISE SPECIFIED DIMENSIONS ARE IN MILLIMETERS		

sales@bollards-international.com

Bollards International

Station Road, Roydon, King's Lynn, Norfolk, PE32 1AW Tel: 01485 601145 Fax: 01485 601144 www.bollards-international.com

Manufacturers of Enviro-Cast™ Street Furniture