

Asda Bollard



DETAILED DESCRIPTION:

The distinctive 'triple top' of the Asda bollard adds a stylish feature to a practical solution. As the name implies, this bollard was the preferred model for supermarket car parks and forecourts, performing its role in pedestrian and vehicle separation yet also providing a pleasing visual impact.

Crafted at our manufacturing plant in Kings Lynn the Asda comes with our quality guarantee and the promise that our manufacturing methods and materials are geared around providing you with quality, value and sustainability.

Inner structural steel core, engineering grade polymer manufactured from renewable sources. Highest quality UV filters and high performance two part polyurethane paint.

All our polyurethane bollards are virtually maintenance free.

PRODUCT SPECIFICATION:

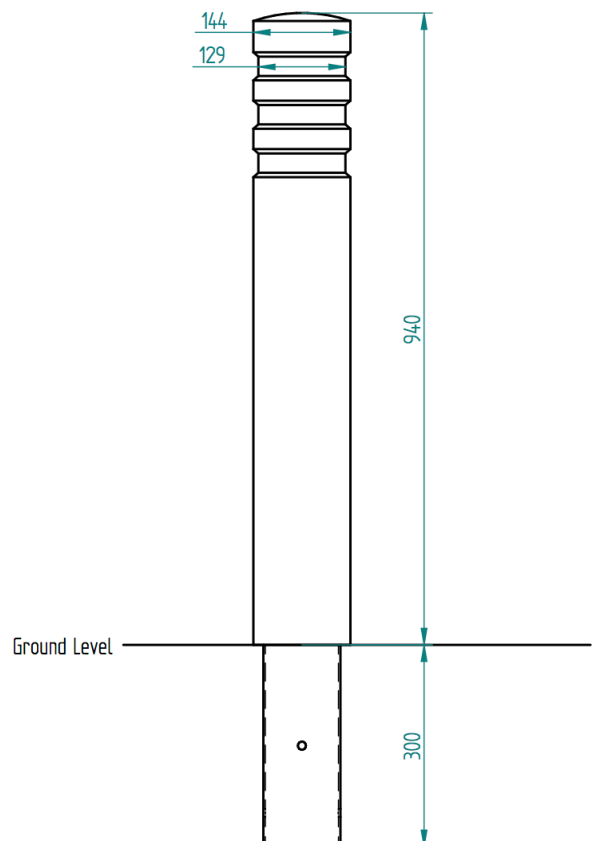
940 mm above ground
300 mm below ground
144 mm at widest point

Root fixed, bolt down or removable

Ram Raid Deterrent option

Black RAL 9005 as standard
Other RAL colours available on request

Bespoke logos, Reflective bands, Painted bands,
Decorative highlighting, Extended height, Chain eyes



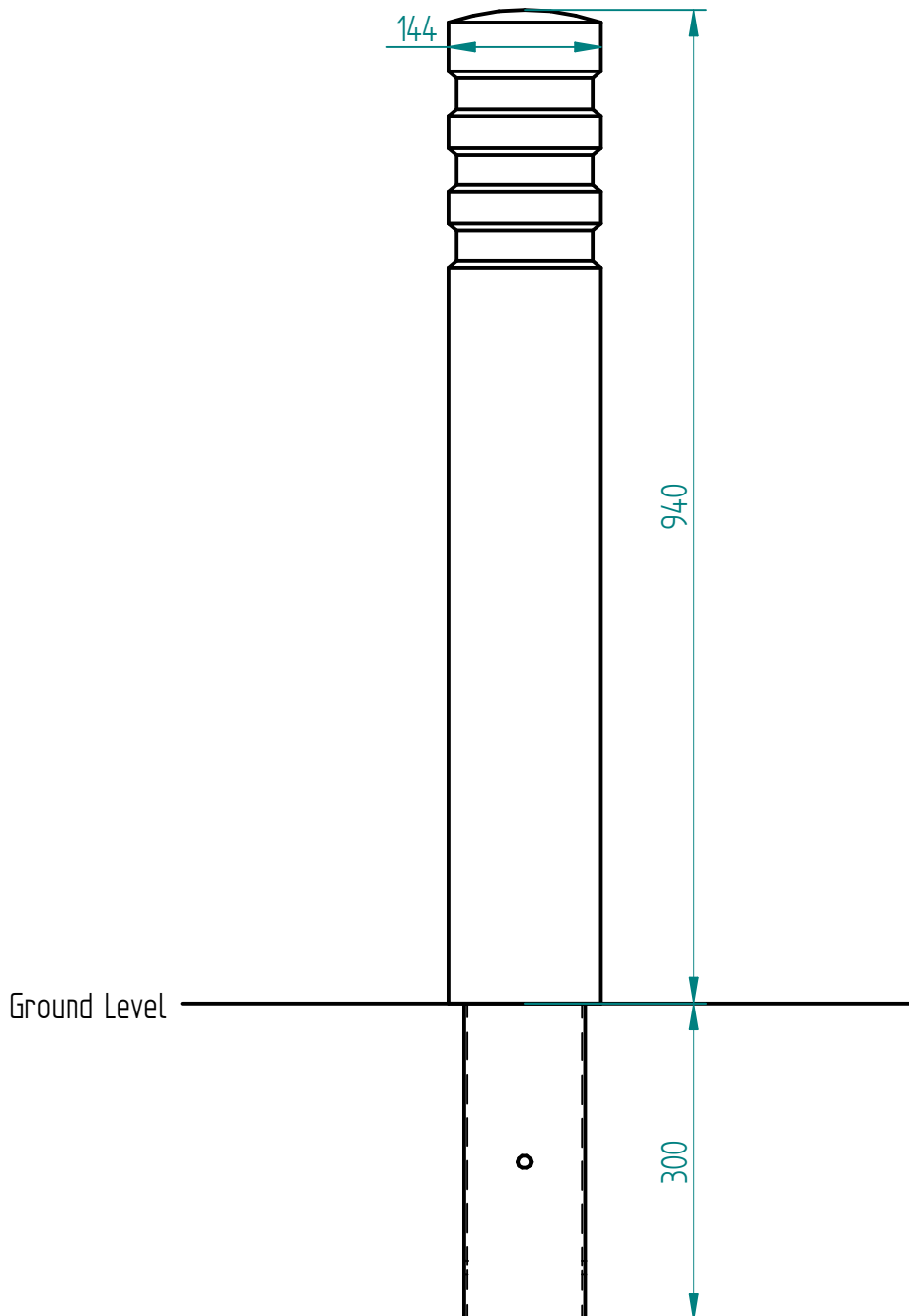
sales@bollards-international.com

Bollards International

Station Road, Roydon, King's Lynn, Norfolk, PE32 1AW Tel: 01485 601145 Fax: 01485 601144 www.bollards-international.com

Manufacturers of Enviro-Cast™ Street Furniture

Asda Bollard



Measurements:

940 mm above ground
300 mm below ground
144 mm at widest point

Fixings:

Root, bolt down or removable

Composition:

Inner structural steel core,
engineering grade polymer
manufactured from renewable
sources

Finish:

High performance, aviation
grade, two part polyurethane
paint. Available in any RAL
colour

All our polyurethane products
are virtually maintenance free
and built to last

Steel Dia.	Scale	DATE
114.3 mm	1:7	09/29/14
UNLESS OTHERWISE SPECIFIED DIMENSIONS ARE IN MILLIMETERS		

sales@bollards-international.com

Bollards International

Station Road, Roydon, King's Lynn, Norfolk, PE32 1AW Tel: 01485 601145 Fax: 01485 601144 www.bollards-international.com

Manufacturers of Enviro-Cast™ Street Furniture