

# Aberdeen Bollard



## DETAILED DESCRIPTION:

The Aberdeen bollard is classically styled with a decorative appearance making it highly suitable for adding focal points to landscape settings. It can also be further enhanced with the addition of corporate crest or insignia, as wished.

Crafted at our manufacturing plant in Kings Lynn the Aberdeen comes with our quality guarantee and the promise that our manufacturing methods and materials are geared around providing you with quality, value and sustainability.

Inner structural steel core, engineering grade polymer manufactured from renewable sources. Highest quality UV filters and high performance two part polyurethane paint.

All our polyurethane products are virtually maintenance free.

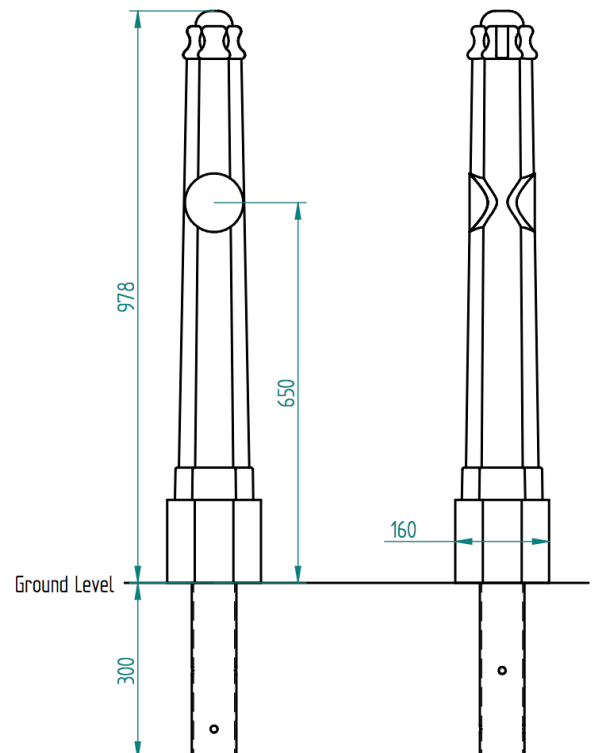
## PRODUCT SPECIFICATION:

978 mm above ground  
300 mm below ground  
160 mm at widest point

Root fixed, bolt down or removable

Black RAL 9005 as standard  
Other RAL colours available on request

Bespoke logos, Reflective bands, Painted bands,  
Decorative highlighting, Chain eyes



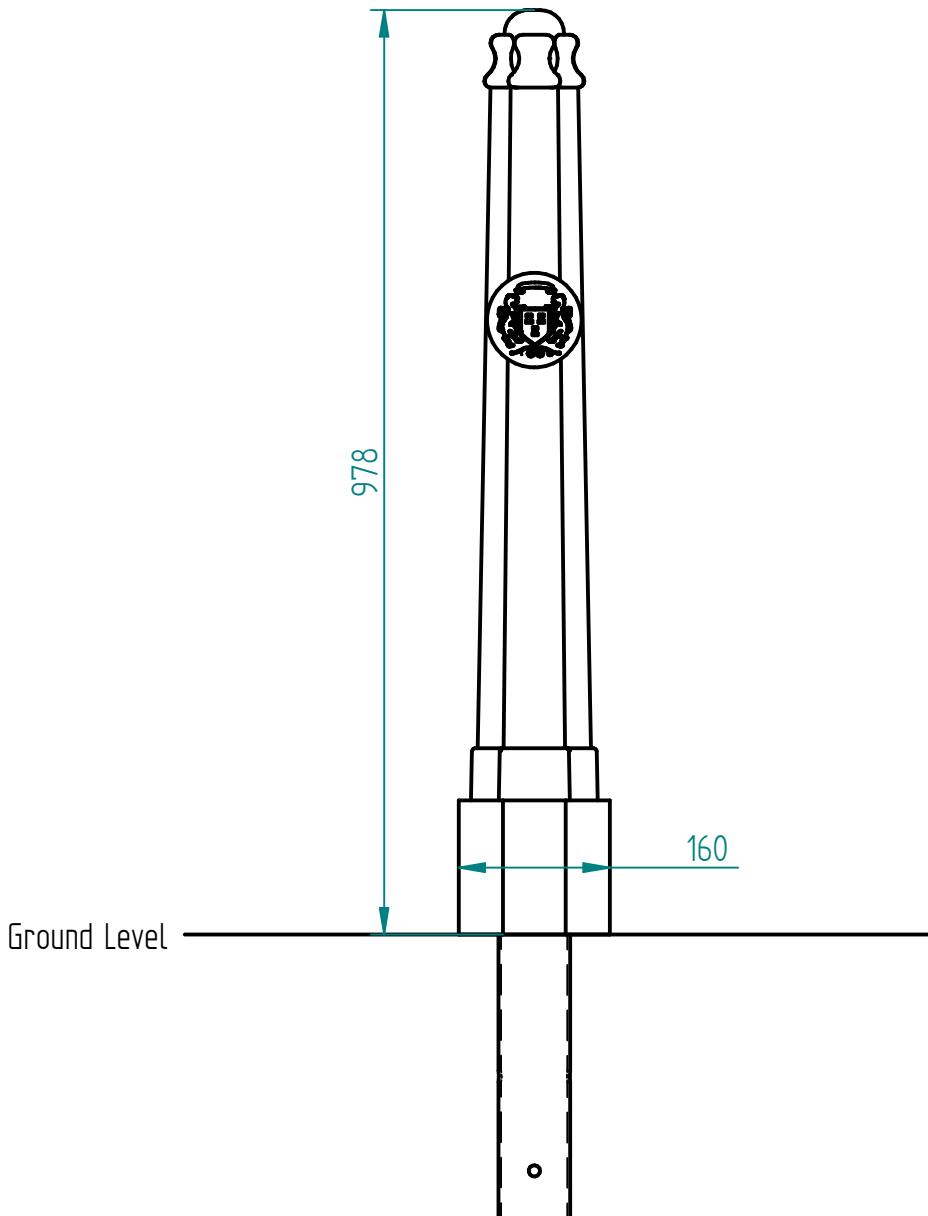
[sales@bollards-international.com](mailto:sales@bollards-international.com)

**Bollards International**

Station Road, Roydon, King's Lynn, Norfolk, PE32 1AW Tel: 01485 601145 Fax: 01485 601144 [www.bollards-international.com](http://www.bollards-international.com)

Manufacturers of Enviro-Cast™ Street Furniture

# Aberdeen Bollard



**Measurements:**

978 mm above ground  
300 mm below ground  
160 mm at widest point

**Fixings:**

Root, bolt down or removable

**Composition:**

Inner structural steel core,  
engineering grade polymer  
manufactured from renewable  
sources

**Finish:**

High performance, aviation  
grade, two part polyurethane  
paint. Available in any RAL  
colour

All our polyurethane products  
are virtually maintenance free  
and built to last

Steel Dia.	Scale	DATE
76.1 mm	1:8	10/23/14
UNLESS OTHERWISE SPECIFIED DIMENSIONS ARE IN MILLIMETERS		

[sales@bollards-international.com](mailto:sales@bollards-international.com)

**Bollards International**

Station Road, Roydon, King's Lynn, Norfolk, PE32 1AW Tel: 01485 601145 Fax: 01485 601144 [www.bollards-international.com](http://www.bollards-international.com)

Manufacturers of Enviro-Cast™ Street Furniture