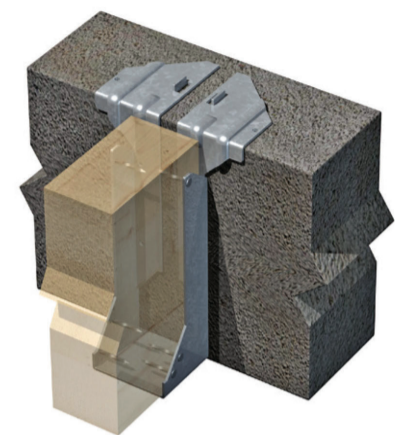




BUILDERS METALWORK

Need technical advice?
Call our expert team on 0191 411 2240
and they'll be pleased to help.
www.expamet.co.uk

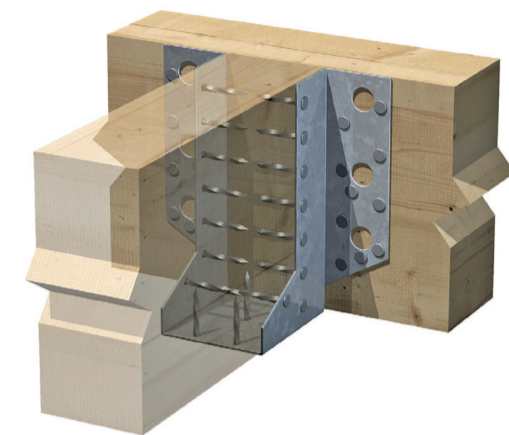
Building industry expertise since 1889



SPH

A single piece timber to masonry hanger for building into walls as they are built.

- Galvanized steel
- Joist widths: 38, 44, 47, 50, 63, 75, 89, 100, 125, 150
- Joist heights: 100, 125, 150, 175, 200, 225, 250, 275

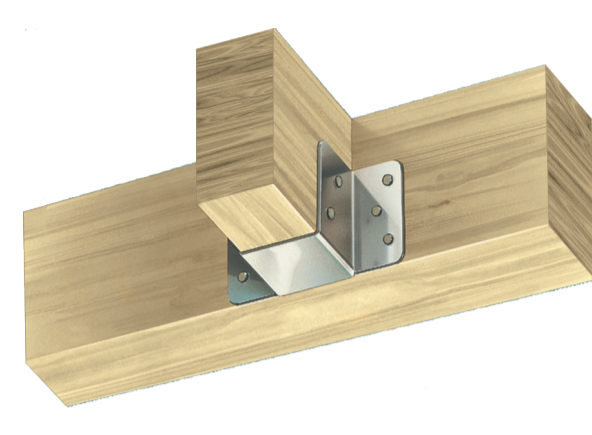


MAXI SPEEDY

A face fixed joist hanger for connecting timber to either timber masonry or steelwork.

- Galvanized steel
- Joist widths: 38, 47, 50, 63, 75, 100, 122*, 150*
- Blank sizes: 240, 335, 380, 440, 500, 560, 620

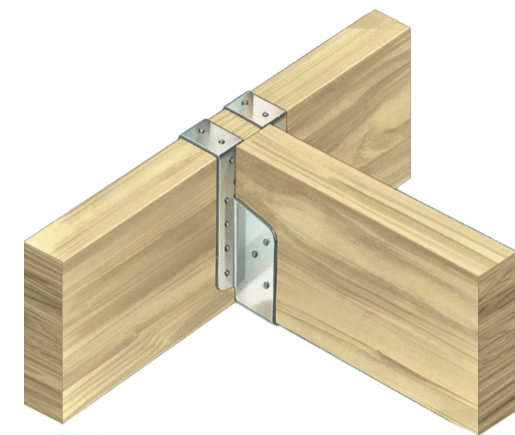
*Type 500, 560 and 620 only



SPEEDY MINOR

A light duty face fixed joist hanger for timber to timber connections.

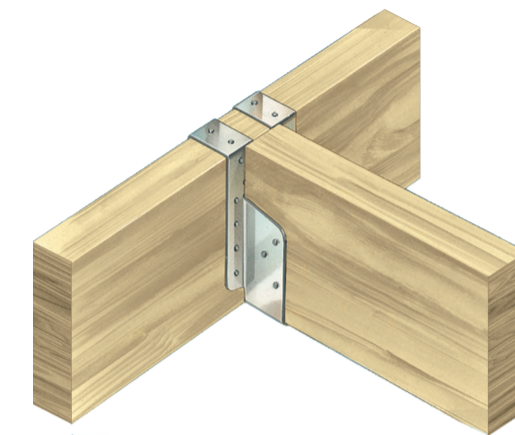
- Galvanized steel
- Joist widths: 38, 47, 50mm
- For joists up to 175mm high
- For use with square twisted nails



SHORT LEG SPEEDY

A light duty, wrap over type joist hanger for timber to timber connections.

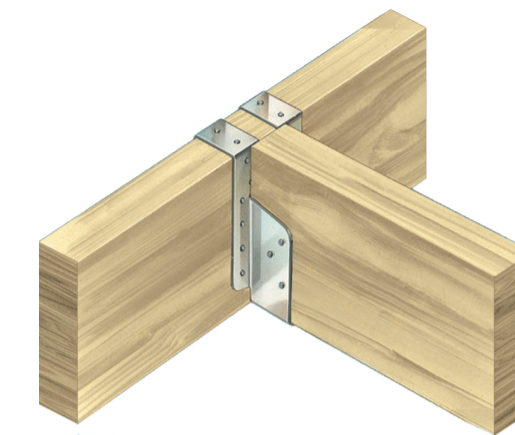
- Galvanized steel
- Joist widths: 38, 44, 47, 50mm
- For joists up to 175mm high
- For use with square twisted nails



STANDARD LEG SPEEDY

A medium duty, wrap over type joist hanger for timber to timber connections.

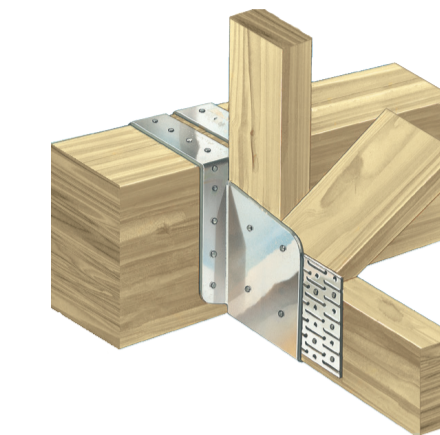
- Galvanized steel
- Joist widths: 38, 44, 47, 50, 63, 75, 91, 100, 125, 150
- For joists up to 225mm high



LONG LEG SPEEDY

A heavy duty, wrap over type joist hanger for timber to timber connections.

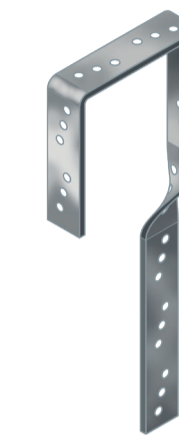
- Galvanized steel
- Joist widths: 38, 44, 50, 63, 75, 91, 100, 125, 150
- For joists up to 225mm high



SPEEDY GIRDER TRUSS SHOE

A heavy duty, wrap over type hanger for supporting roof trusses.

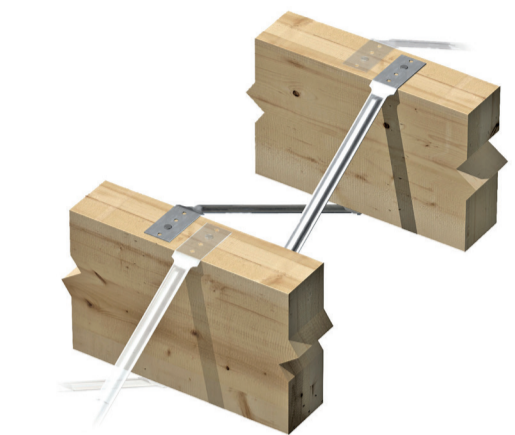
- Galvanized steel
- Joist widths: 38, 44, 47, 50, 75
- 85mm bearing surface
- Use with square twisted nails



RESTRAINT STRAP

Vertical and horizontal restraint straps.

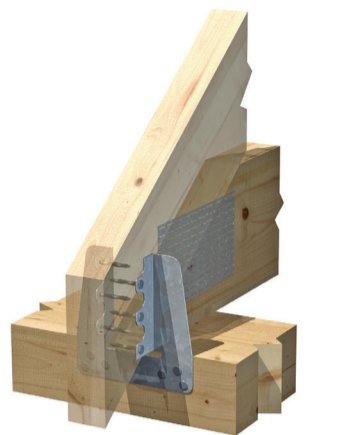
- Galvanized steel
- Made to order
- Can be bent or twisted to suit
- Sold in 10s (4mm) and 20s (2mm)



HERRINGBONE JOIST STRUTS

A time saving alternative to traditional timber strutting and noggins.

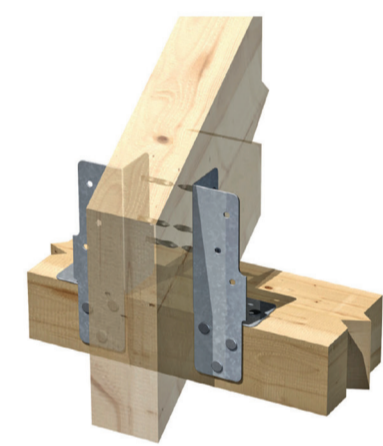
- Galvanized steel
- 3 sizes available for joist centres 400, 450, 600mm
- Multiple holes to suit different joist depths
- Boxes of 50



TRUSS CLIPS

For connecting roof trusses/rafters to wall plates, eliminates skew nailing.

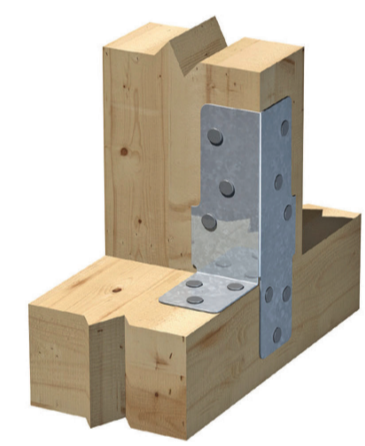
- Galvanized steel
- Rafter widths: 38, 47, 50mm
- Use framing anchors for wider rafters
- Boxes of 200



FRAMING MFAAL & MFAAR

A versatile multi-purpose bracket for connecting out-of-plane timbers.

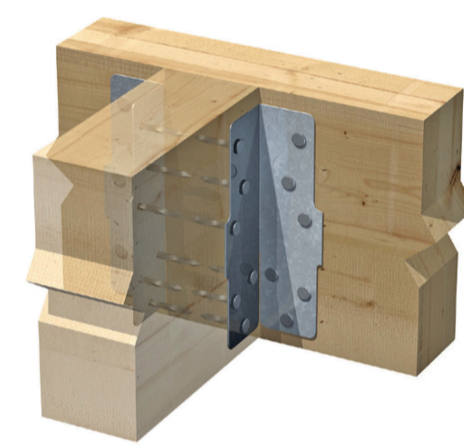
- Galvanized steel
- Must be used in pairs
- Use with square twisted nails
- Boxes of 200



FRAMING MFABL & MFABR

A versatile multi-purpose bracket for connecting in-plane timbers.

- Galvanized steel
- Must be used in pairs
- Use with square twisted nails
- Boxes of 200



FRAMING MFAFC

A versatile multi-purpose bracket for connecting timber to timber.

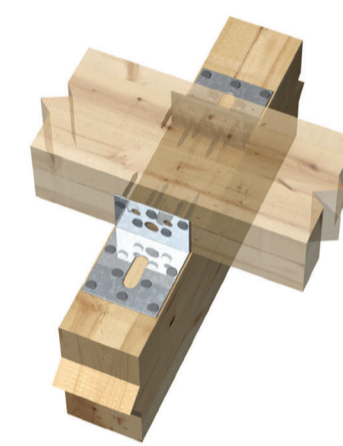
- Galvanized steel
- Must be used in pairs
- Use with square twisted nails
- Boxes of 200



ANGLE PLATES

A heavy duty multi-purpose bracket typically used for connecting joists to steelwork.

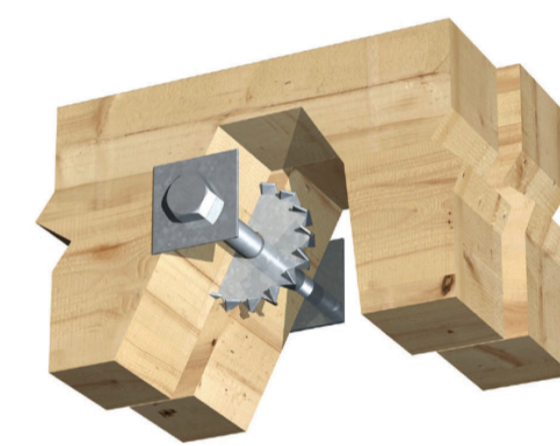
- Galvanized steel
- Must be used in pairs
- Use with square twisted nails
- Can be doubled up to increase load capacity



ANGLE BRACKETS

An extensive range of structural and non-structural brackets and connectors.

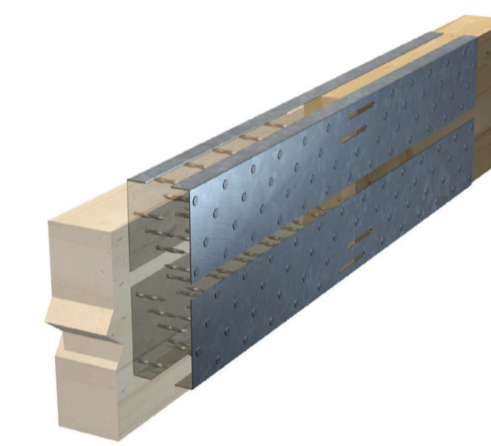
- Galvanized steel
- Holes to suit various fixing types
- Various shapes and sizes available
- Use in pairs for structural connections



TIMBER TOOTH PLATE

EN912 tooth plate connectors for attaching timbers side-by-side.

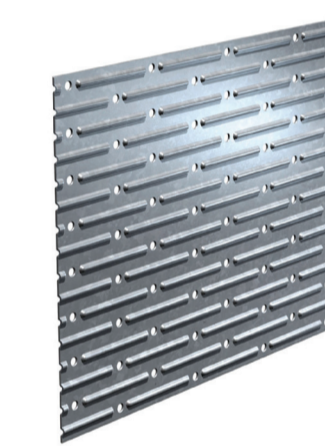
- Galvanized steel
- Single or double sided
- 50, 63, or 75mm diameter
- To suit an M12 bolt



SPLICE PLATES

An economical way of repairing rotten timber joists without full replacement.

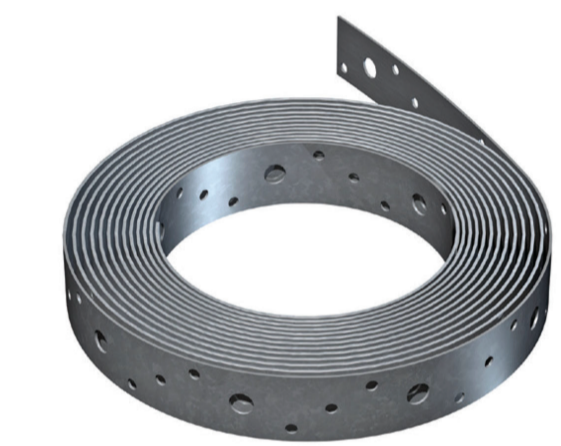
- Galvanized steel
- 3 sizes to suit timber cross section
- Fixing nails included
- Minimum timber thickness 50mm



BAT-U-NAIL PLATE

A multi-purpose profiled nailing plate for in-plane timber connections.

- Galvanized steel
- Available widths: 76, 114, 152mm
- Available lengths: 51, 100, 152, 203, 254, 305, 354mm
- For use with square twisted nails



FIXING BANDS

A multi-purpose fixing strap for light duty applications.

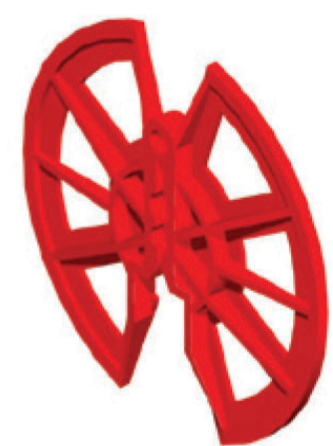
- Galvanized or stainless steel
- 10 metre coil
- 20mm wide
- 6.25 and 3.8mm holes



WALL TIES

A complete range of EN845-1 compliant wall ties. Ask for more details.

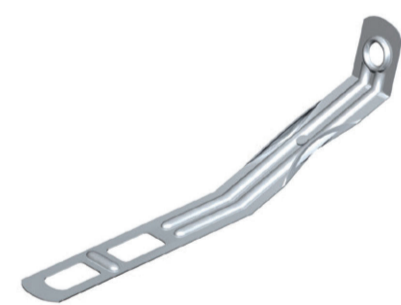
- Stainless steel
- To suit cavities from 50 - 400mm
- For masonry or timber frame construction
- For new build or remedial projects



SSCD RETAINING DISC

For securely holding rigid insulation boards against the inner leaf of an external masonry wall.

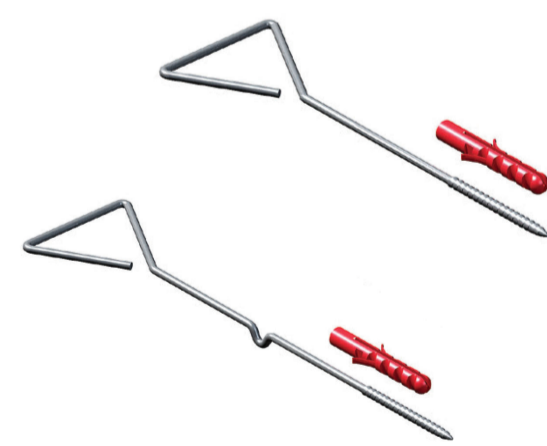
- Polypropylene
- Fits all Expamet wall ties
- Bags of 250
- High visibility red colour



SSFS TIMBER FRAME TIE

A cavity wall tie specifically for timber frame construction.

- Stainless steel
- Cavity sizes: 50, 75, 100mm
- Allows 24mm vertical settlement
- Complete with nails



STARTER & CAVITY TIE

A range of screw-in wall ties for use when building off an existing masonry wall.

- Stainless steel
- Starter or cavity versions available
- 130 to 225mm (0 - 100mm cavity)
- Complete with wall plugs



FRAME TIE

An efficient method of bonding new masonry to timber window and door jambs.

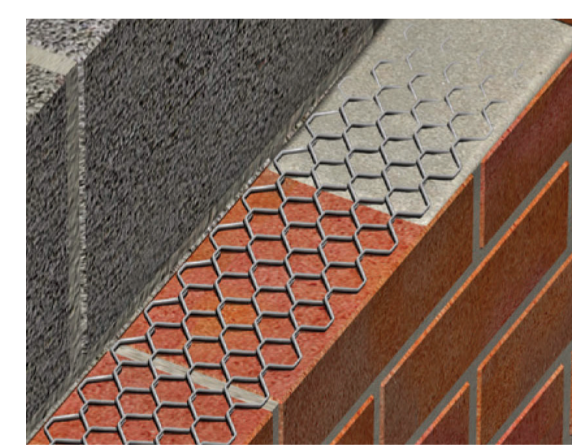
- Stainless steel
- Length 130mm



FRAME CRAMPS

A complete range of EN845-1 compliant frame cramps and movement ties. Ask for more details.

- Stainless steel
- To suit cavities up to 225mm
- Keyed or debonded versions available
- Various fixing options available



EXMET REINFORCEMENT

A non-structural bed joint reinforcement for limiting cracks in areas of high stress.

- Stainless steel
- 65 - 305mm wide (Galv)
- 65 - 225mm wide (S/S)
- 20m coil length



FLAT WIRE REINFORCEMENT

Structural welded-wire bed joint reinforcement for use in external walls.

- Stainless steel
- Wire diameters: 3, 3.5, 4, 4.5, 5mm
- Widths available: 60, 100, 150, 175mm
- Length: 2700mm



MULTI-STARTERS

For joining new to existing walls on domestic dwellings.

- Stainless or PPC galv
- Each kit will suit a single storey
- 60 - 250m leaf thickness
- Fixings included



SCROLLED HIP IRON

A decorative and functional restraint for use when bedding hip tiles.

- Galvanized mild steel
- Lengths: 200 to 300mm
- Height: 100 (200 long) or 150mm



GALLOW'S BRACKETS

For the structural support of a chimney stack once a chimney breast is removed.

- Primed mild steel
- Supplied in pairs
- 375 or 490mm high
- Welded RSA with fixing holes