



Non-penetrative support frames for air conditioning mini-splits, VRFs, small AHUs, supply and extract fans

The LD standard product range consists of three standard modular frames, available in 1m, 2m and 3m arrangements. This ensures minimal cross-member deflection whilst maintaining structural stability; as opposed to weaker alternatives often constructed from poor quality pre galvanised strut. Our highly competent engineers and designers have developed the product range through our rigorous product development cycle, including validation through testing.

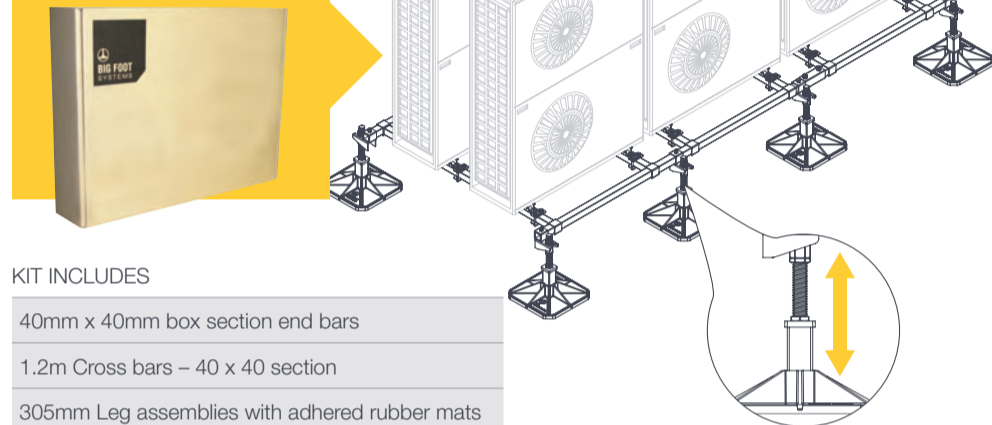
In order to facilitate the process of identifying the required frame for the specified air conditioning manufacturers Splits or VRF/VRV units (or indeed a combination of both) Big Foot Systems have created 'Frame Selectors'.

For further details contact the Big Foot Systems Technical Office on +44 (0)1323 844 355.

All leading VRV/VRF manufacturers products covered

Standard Frames

- Adjustable leg assemblies
- Feet supplied with rubber mats
- 40 x 40 box section frame
- Supplied boxed with clamp kits

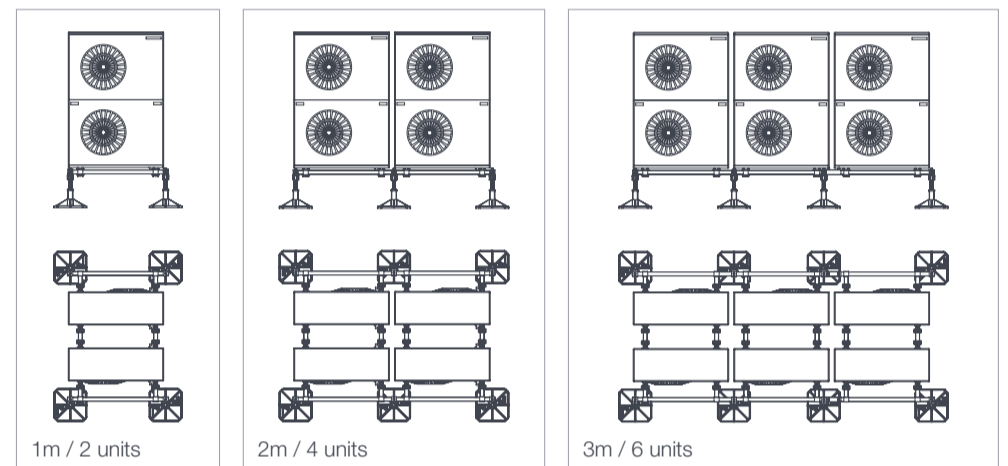


KIT INCLUDES

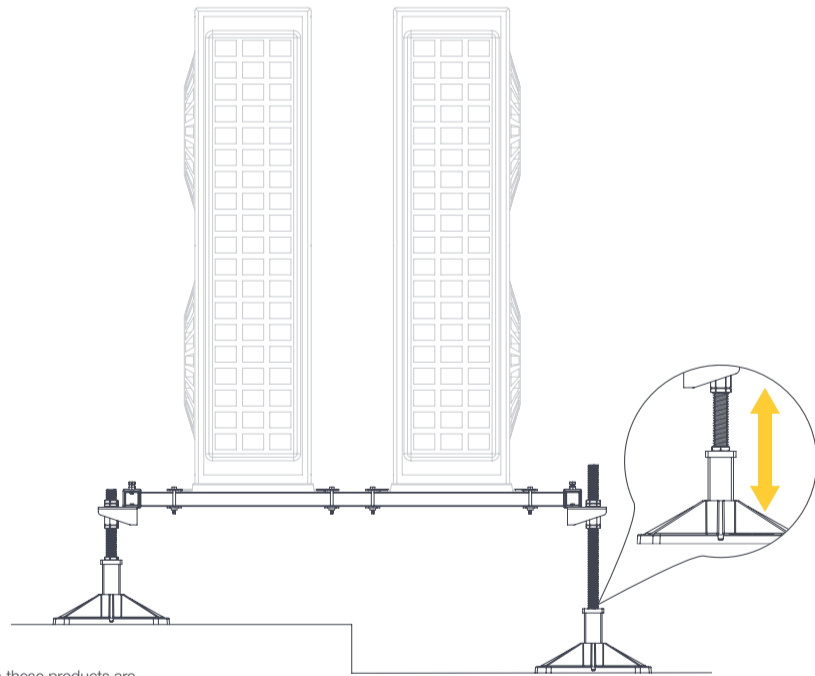
- 40mm x 40mm box section end bars
- 1.2m Cross bars – 40 x 40 section
- 305mm Leg assemblies with adhered rubber mats
- Clamp kits
- Assembly instructions

PRODUCT INFORMATION

Model	1m Modular Frame	2m Modular Frame	3m Modular Frame
Part no.	B6075	B6077	B6078
Height (mm)	290-400	290-400	290-400
Width (mm)	1200	1200	1200
Length (mm)	1000	2000	3000
Weight (kg)	40	69	93
Max. loading (kg)	480	720	960



Standard Frame Variants



For ease of specification these products are detailed on the following building product libraries:



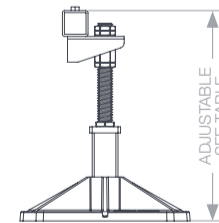
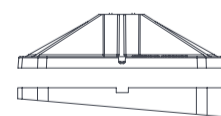
PRODUCT INFORMATION

Model	1m	1m	2m	2m	3m	3m
Part no.	B9088	B9569	B9089	B9570	B9090	B9571
Height (mm)	290-610	730-825	290-610	730-825	290-610	730-825
Width (mm)	1200	1200	1200	1200	1200	1200
Length (mm)	1000	1000	2000	2000	3000	3000
Weight (kg)	40	43	69	73	93	103
Max. loading (kg)	480	480	720	720	960	960

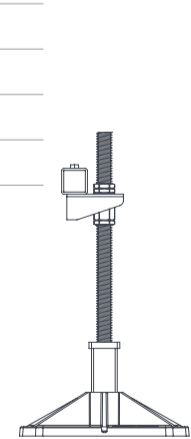
LEG OPTIONS

Model	Standard	Long Stud	Large
Box section (mm)	40	40	40
Min. height (mm)	290	290	730
Max. height (mm)	400	610	825

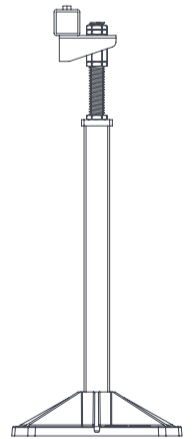
350/450 ANGLED MATS
2.5° and 5° rubber mats
are also available for
sloped roof applications



Standard Leg Assembly



Long Stud Assembly



Large Leg Assembly

