



Non-penetrative support products for chillers, AHUs, packaged plant & generators

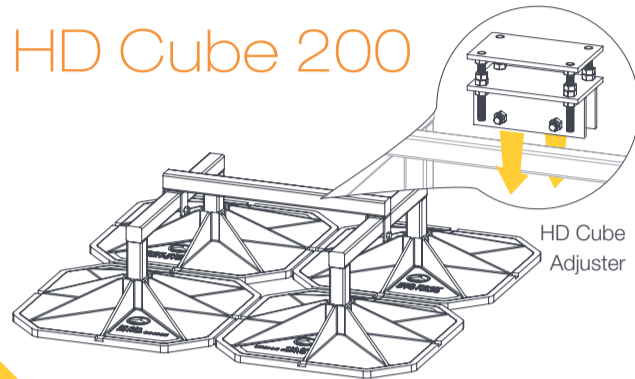
The HD Cube offers a complete, efficient and robust solution for supporting heavier services on flat roofs. It has been designed and manufactured using 50mm x 50mm x 3mm square hollow sections for heavy duty applications. This ensures minimal cross-member deflection whilst maintaining structural stability. Whilst minimising any deflection, the Cube still allows large loads of 2000kg and 3000kg each, in either 4 x 450mm or 4 x 600mm foot configurations respectively. Due to the close proximity of the feet, the enlarged square base naturally afford very good load distribution capabilities to spread

evenly on the roof. Ideal for the support of large and/or heavy plant – in fact anything which has an integrated skid or frame. The HD Cube provides a simplistic approach without the necessity of craning or casting, and then weatherproofing, traditional concrete plinths early on in the construction. Our technical capability in line with breadth of range and product versatility enable Big Foot Systems to design a frame specific to your need... we are yet to encounter a scenario under which we haven't been able to provide a solution.

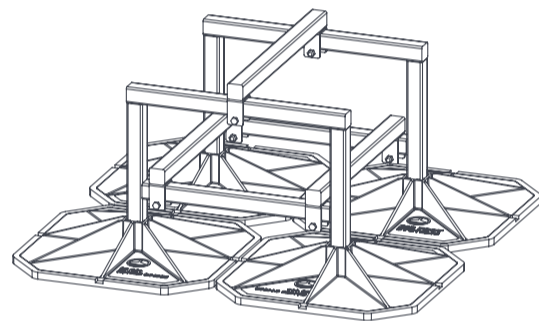
- Fast assembly
- Alternative to complex heavy frameworks
- High load capacity and excellent load distribution
- Flat packed and boxed for convenience



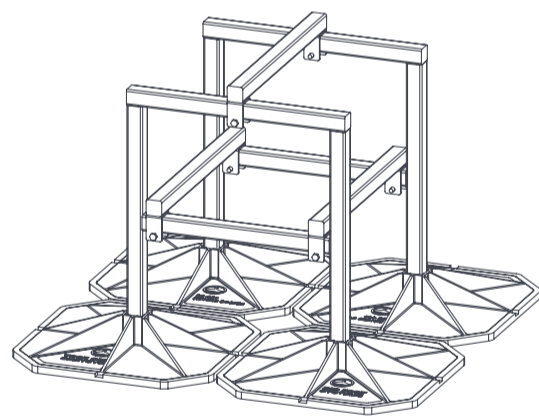
## HD Cube 200



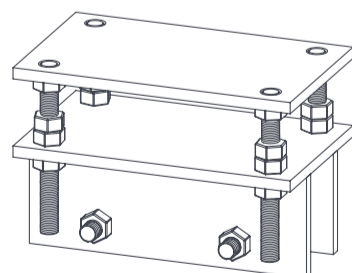
## HD Cube 600



## HD Cube 800



## HD Cube Adjuster



For ease of specification these products are detailed on the following building product libraries:



### PRODUCT INFORMATION

Model	200HDC	200HDC
Part no.	B9528	B9529
Foot size (mm)	600	450
Height (mm)	332	332
Footprint (mm)	1292 x 1292	1132 x 1132
Max. load per HDC (kg)	3000	2000
Packaged weight (kg)	62	72

### KIT INCLUDES

Plastic feet	x 4
Rubber mats	x 4
Cube flat pack side	x 2
Cube cross bar	x 1
Assembly instructions	x 1

### PRODUCT INFORMATION

Model	600HDC	600HDC
Part no.	B9522	B9521
Foot size (mm)	600	450
Height (mm)	587	587
Footprint (mm)	1292 x 1292	1132 x 1132
Max. load per HDC (kg)	3000	2000
Packaged weight (kg)	82	75

### KIT INCLUDES

Plastic feet	x 4
Rubber mats	x 4
Cube flat pack side	x 2
Cube cross bar	x 3
Assembly instructions	x 1

### PRODUCT INFORMATION

Model	800HDC	800HDC
Part no.	B9516	B9517
Foot size (mm)	600	450
Height (mm)	880	880
Footprint (mm)	1292 x 1292	1132 x 1132
Max. load per HDC (kg)	3000	2000
Packaged weight (kg)	87	80

### KIT INCLUDES

Plastic feet	x 4
Rubber mats	x 4
Cube flat pack side	x 2
Cube cross bar	x 3
Assembly instructions	x 1

### PRODUCT INFORMATION

Model	HDC Adjuster
Part no.	B9374
Length (mm)	250
Width (mm)	150
Max. adjustable height (mm)	140
Weight (kg)	3

### VERTICAL ADJUSTMENT

Optional levelling HD Cube Adjuster to accommodate roof falls and anti-vibration mounts, which allows for 80mm of height adjustment.

- 200HDC: min. 392mm up to a max. of 472mm
- 600HDC: min. 647mm up to a max. of 727mm
- 800HDC: min. 940mm up to a max. of 1020mm

