



# Yellow Jacket

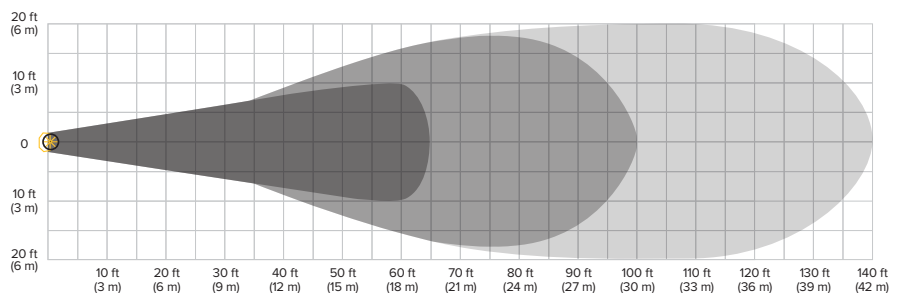
Yellow Jacket® is the Smashingly Durable™ portable and mountable fan that takes abuse and stays in use. The mobile, pedestal version is available in 18- and 36-inch (0.46- and 0.91-m) height options to direct airflow exactly where it's needed. Mount it to a column or wall for airflow in areas with less floor space. If it gets dirty, don't worry: the fan and the easy-to-remove cage are designed to be water resistant, so you can spray it down to get it squeaky clean in no time. Available in either yellow or black, but also offered as an optional appearance package with a cool white finish.

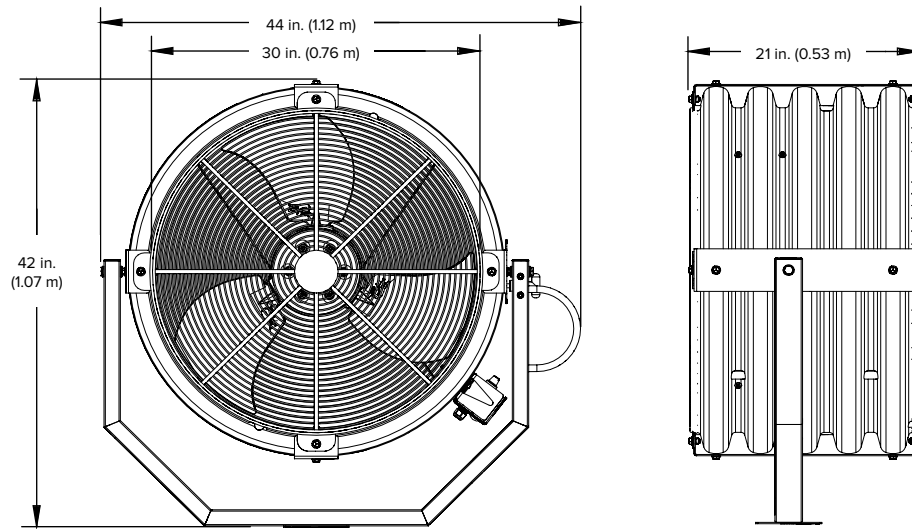
## Features and benefits

- Efficient 1/2 hp motor uses only 400 W at full speed
- Super-solid construction helps reduce noise output.
- Powerfoil-inspired blades provide an optimal spread pattern for maximum airflow
- Oversized wheels and an ergonomic handle allow for superior maneuverability
- Infinitely adjustable speeds (our dial goes to 11!)
- Heavy-gauge steel carriage withstands the toughest environments
- Optional misting and oscillating systems available
- Optional wall, column and ceiling mounts available so you can put it anywhere
- 3-year warranty in the US and Canada

## Yellow Jacket Air Velocity

- Shaded area represents effective cooling area
- Darker shaded areas represent higher air velocities
- Air velocities range from 528 fpm to 113 (to 140') fpm
- fpm = feet per minute





### Technical Specifications

<b>Model</b>	Yellow Jacket	
<b>Blade design</b>	3-dimensional progressive pitch blades	
<b>Blade material</b>	High performance polyamide nylon	
<b>Housing material</b>	High density polyethylene with vibration dampening properties	
<b>Blade diameter</b>	30 in. (0.8 m)	
<b>Weight (fan &amp; yoke)</b>	105 lb (47.6 kg)	
<b>Motor type</b>	IP45 equivalent ECM motor	
<b>Motor rating</b>	0.5 HP (0.37 kW)	
<b>Motor speed (RPM range)</b>	300–1300 RPM	
<b>Input power and required breaker</b>	100–125 VAC, 50/60 Hz, 1 $\Phi$	200-250 VAC, 50/60 Hz <sup>1</sup> , 1 $\Phi$
<b>Input current (min/max speed)</b>	0.38/6.8 A	0.31/5.3A
<b>Average power usage (min/max speed)</b>	13/400 W	13/410 W
<b>Power cord</b>	10 ft (3.1 m); 110–125 V only	
<b>Controller speeds</b>	Variable speeds from 1 to 10	
<b>Sound<sup>2</sup></b>	70 dBA at 10 feet (maximum speed)	
<b>Fan guards</b>	1/8 in. steel spiral guards, OSHA compliant	
<b>Locking position mechanism</b>	180° of vertical adjustments without tools	
<b>Warranty<sup>3</sup></b>	3 years electrical components, limited lifetime workmanship in the US and Canada	

<sup>1</sup> 200-250 VAC available by special request; contact manufacturer for details.

<sup>2</sup> Fans are sound tested at maximum speed in a laboratory environment; actual results in field conditions may vary due to sound reflecting surfaces and environmental conditions.

<sup>3</sup> 3 years electrical components and limited lifetime workmanship warranties available in the US and Canada; certain exclusions apply. Warranties vary by country. See full warranty for details.

### Mounting Options

Portable base with 8-inch (0.2-m) shatter-resistant wheels, optional 18- and 36-inch (0.5- and 0.9-m) extensions for multiple heights

Wall column mount, beam mount, chain mount or yoke mount; others available on request

Remotely mounted speed controller with on/off function and 10 speeds

### Accessories

<b>Oscillating kit</b>	Wall column mount, yoke mount or pedestal
<b>Misting kit</b>	Portable base with 18- or 36-inch pedestals only

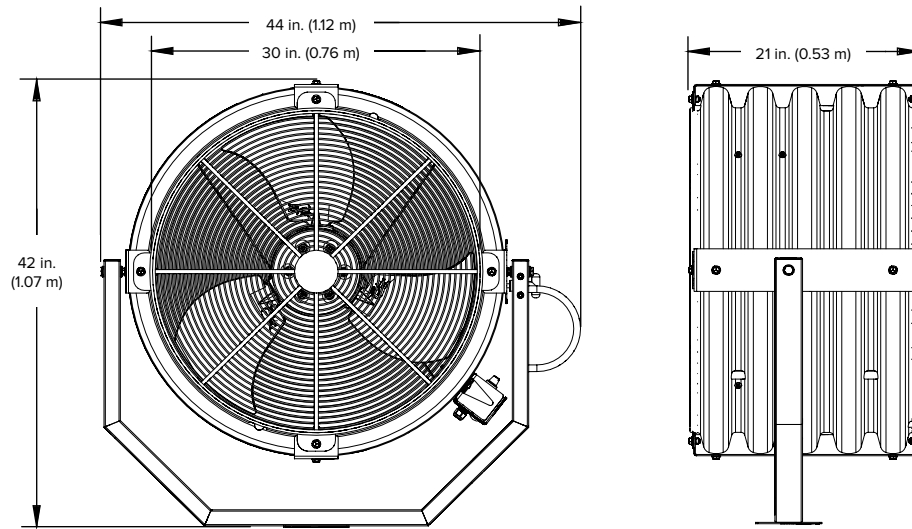


**BIG ASS**  
FANS

Accessory:

# Yellow Jacket Oscillating Kit

## TECHNICAL SPECIFICATIONS



### Technical Specifications

<b>Model</b>	Yellow Jacket Oscillator
<b>Switch</b>	On/Off control
<b>Motor</b>	0.05 HP (0.0372 kw)
<b>Oscillations per minute</b>	2.5 OPM @ 110 - 120 VAC 2.1 OPM @ 220 - 240 VAC
<b>Current</b>	0.33 A @ 110 - 120 VAC 0.19 A @ 220 - 240 VAC
<b>Angle adjustment</b>	45, 60 and 90 degrees; user adjustable

### Kit Components

Fully enclosed oscillator assembly for user safety and product durability  
Includes single power cord for fan and oscillator

### Mounting Options

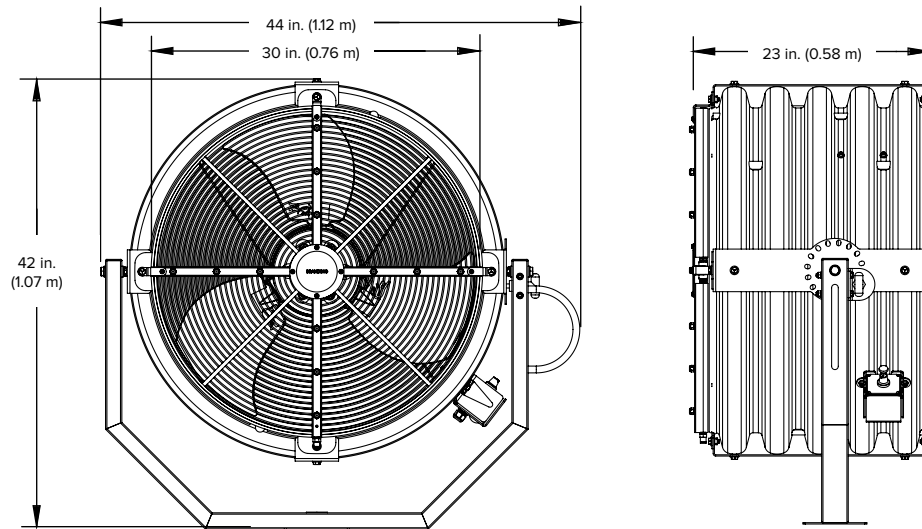
Wall column mount  
Yoke mount



Accessory:

# Yellow Jacket Misting Kit

## TECHNICAL SPECIFICATIONS



### Misting Pump

<b>Maximum pressure</b>	1000 PSI; high pressure
<b>Maximum flow</b>	0.25 GPM
<b>Voltage</b>	110–120 VAC, 60 Hz, 5.0 A
<b>Horsepower</b>	0.5 HP (0.372 kW)
<b>Filter</b>	Water supply in-line, 5-micron filter
<b>Equipment safety</b>	Low-pressure water sensor protects pump if water source is turned off

### Accessories

<b>Material</b>	Aluminum
<b>Nozzle size</b>	0.008 in. (0.2 mm) nozzles
<b>Misting Rails</b>	14-in. (355.6-mm) rail with 3 nozzles
<b>Water source</b>	Accepts standard garden hose

### Kit Components

Includes 8-ft (2.4-m) outdoor-rated power cord with integrated GFCI



**BIG ASS**  
FANS