

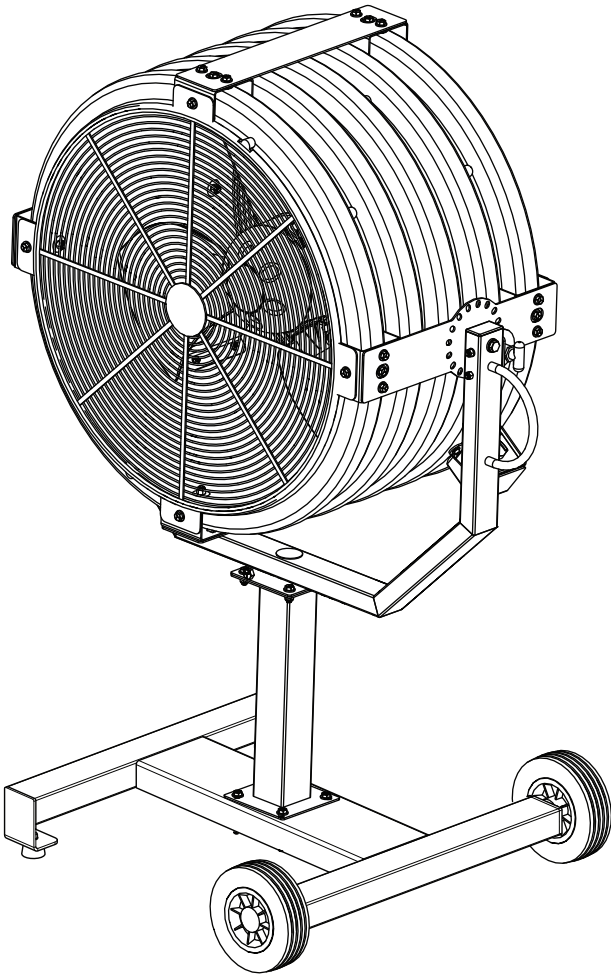


BIGASS[®]
FANS

No Equal[™]

INSTALLATION GUIDE

Yellow Jacket[®]



For help, call 1-877-BIG-FANS
or visit www.bigassfans.com

Installation Checklist

Do you have the correct power circuit for the fan speed control? (See p. 38 for information on selecting the correct circuit/fuse for the fan speed control.)

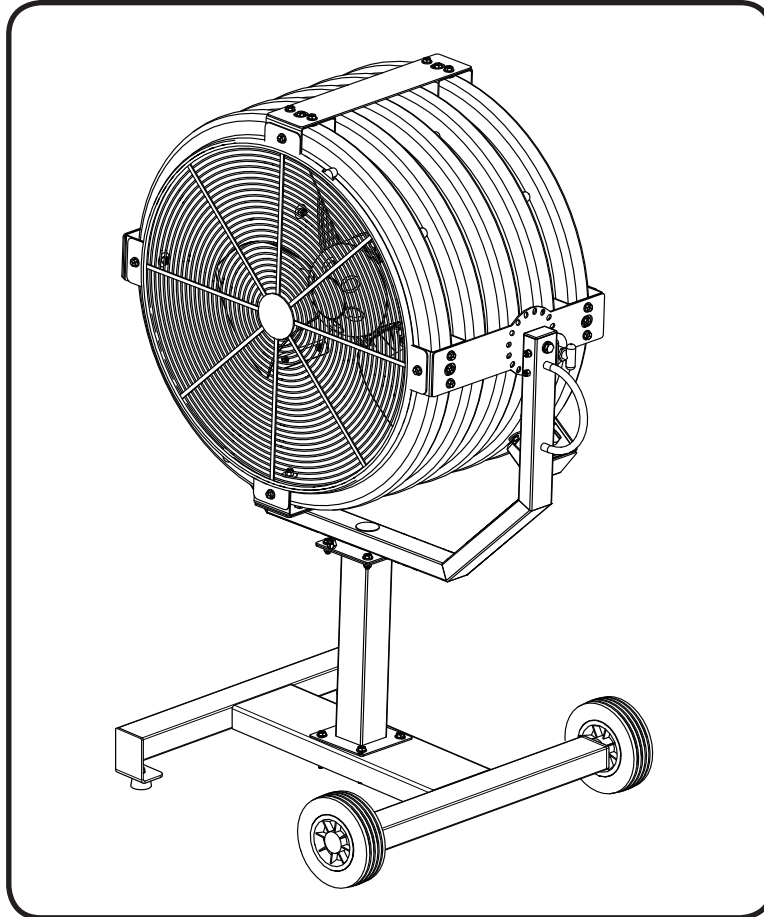
Did a structural engineer approve the mounting structure? See p. 7 for mounting information.

If you ordered multiple fans, did you keep the parts for each fan together?

Customer Service: 1-877-BIG-FANS
(International: +1 859 233 1271)

Installation Guide

Yellow Jacket®



Installation Guide:
Apr. 2015
Rev. O



This product was manufactured in a plant whose Management System is certified as being in conformity with ISO 9001:2008.

Contact Information

Manufacturing
2425 Merchant Street
Lexington, KY 40511
1-877-BIG-FANS
www.bigassfans.com

Customer Service
2348 Innovation Drive
Lexington, KY 40511
1-877-BIG-FANS
www.bigassfans.com

Warranty Returns
800 Winchester Road
Lexington, KY 40505
1-877-BIG-FANS
www.bigassfans.com

Australia Office
Unit 22, 1029 Manly Road
Tingalpa QLD 4173, Australia
(07) 3292 0100
www.bigassfans.com/au

Yellow Jacket and the Yellow Jacket logo are trademarks of Delta T Corporation, registered in the United States and/or other countries. All other trademarks used herein are the properties of their respective owners. No part of this document may be reproduced or translated into a different language without the prior written consent of Big Ass Fan Company. The information contained in this document is subject to change without notice. For the most up-to-date information, see the online Yellow Jacket Installation Guide at www.bigassfans.com.

www.bigasssolutions.com/patents



IMPORTANT SAFETY INSTRUCTIONS READ AND SAVE THESE INSTRUCTIONS

WARNING—TO REDUCE THE RISK OF FIRE, ELECTRIC SHOCK, OR INJURY TO PERSONS, OBSERVE THE FOLLOWING:

- a. The fan must be installed with hardware that is marked to indicate suitability with this model. Other hardware cannot be substituted.
- b. Electrical wiring must be done by qualified person(s) in accordance with all applicable codes and standards.
- c. Use this unit only in the manner intended by the manufacturer. If you have questions, contact the manufacturer.
- d. Before servicing or cleaning unit, unplug the fan and lock the service disconnecting means to prevent power from being switched on accidentally. When the service disconnecting means cannot be locked, securely fasten a prominent warning device, such as a tag, to the service panel.

CAUTION: The installation of a Big Ass Fan must be in accordance with the requirements specified in this installation manual and with any additional requirements set forth by the national electric code (NEC) and all local codes. Code compliance is ultimately YOUR responsibility!

CAUTION: Exercise caution and common sense when powering the fan. Do not connect the fan to a damaged or hazardous power source. Do not attempt to resolve electrical malfunctions or failures on your own. Contact Big Ass Fans if you have any questions regarding the use of this fan.

CAUTION: When service or replacement of a component in the fan requires the removal or disconnection of a safety device, the safety device is to be reinstalled or remounted as previously installed.

WARNING: Risk of fire, electric shock, or injury to persons during cleaning and user-maintenance! Disconnect the fan from the power supply before servicing.

CAUTION: Do not bend the blades when installing, adjusting, or cleaning the fan. Do not insert foreign objects between rotating fan blades.

WARNING: Stay alert, watch what you are doing, and use common sense when installing fans. Do not assemble fans if tired or under the influence of drugs, alcohol, or medication. A moment of inattention while installing fans may result in serious personal injury.

CAUTION: Do not operate fan with a damaged cord or plug. Return fan to an authorized service facility for examination or repair.

CAUTION: Do not run cord under carpeting. Do not cover cord with throw rugs, runners, or similar coverings. Do not route cord under furniture or appliances. Arrange cord away from traffic area where it will not be tripped over.

WARNING: Do NOT install the fan where it may come into direct contact with water unless the fan is labeled, "Suitable for use in wet locations."

Contents

Introduction	Safety Instructions.....	ii
	Thank You.....	1
	About Big Ass Fans.....	1
	About this Fan.....	2
Pre-Installation	What's in the Box.....	3
	Parts and Hardware.....	4
	Fan Diagram.....	6
	Preparing the Work Site.....	7
	Mounting Overview.....	7
Mounting Method: Portable Base	1. Attach Wheels (to Portable Base).....	9
	2a. Attach Fan (to Portable Base).....	10
	2b. Attach Pedestal (to Portable Base).....	11
	3. Attach Second Pedestal (to Pedestal).....	12
	4. Attach Yoke (to Pedestal).....	13
Mounting Structure: Wall	1. Attach Supports (to Wall).....	14
	2. Secure Yoke (to Supports).....	15
Mounting Structure: Column	1. Prepare Angle Irons.....	16
	2. Attach Supports (to Column).....	17
	3. Secure Yoke (to Supports).....	19
	4. Secure Safety Cable.....	19
Mounting Structure: I-Beam	1. Attach Upper Yoke (to I-Beam).....	20
	2. Attach Extension Tube (to Upper Yoke).....	21
	3. Secure Safety Cable.....	21
	4a. Attach Lower Yoke Brackets (to Extension Tube, 3 ft or Shorter).....	22
	4b. Attach Lower Yoke Brackets (to Extension Tube, 4 ft or Longer).....	22
	5. Attach Beam Clamp.....	23
	6. Route Guy Wire Through Gripple®.....	23
	7. Install Remaining Guy Wires.....	24
8. Attach Fan (to Lower Yoke).....	24	
Mounting Structure: Bar Joists	1. Select Proper Angle Irons.....	25
	2. Pre-drill Angle Irons.....	26
	3. Fasten Angle Irons (if span is longer than 8 ft).....	26
	4a. Fasten Single Angle Irons to Roof Structure Mounting Points.....	27
	4b. Fasten Double Angle Irons to Roof Structure Mounting Points.....	27
	5. Attach Upper Yoke (to Angle Irons).....	28
	6. Attach Extension Tube (to Upper Yoke).....	29
	7. Secure Safety Cable.....	29
	8a. Attach Lower Yoke Brackets (to Extension Tube, 3 ft or Shorter).....	30
	8b. Attach Lower Yoke Brackets (to Extension Tube, 4 ft or Longer).....	30
	9. Attach Beam Clamp.....	31
	10. Route Guy Wire Through Gripple®.....	31
11. Install Remaining Guy Wires.....	32	
12. Attach Fan (to Lower Yoke).....	32	
Mounting Structure: Wood or Metal Superstructure	1. Attach Chain or Cable.....	33
	2. Secure Guy Wires.....	33
Mounting Structure: Concrete	1. Prepare Angle Iron Brackets.....	34
	2. Prepare Concrete Structure.....	35
	3. Attach Angle Iron Brackets (to Concrete).....	35
	4. Attach Chain or Cable.....	36
	5. Secure Guy Wires.....	36
Positioning the Fan	Setting the Fan's Position.....	37
Electrical Installation	Electrical Installation Safety.....	38
	Power Requirements.....	38

Contents

Fan Speed Control Operation	Starting, Stopping, and Speed Control.....	39
Remotely Mounted Speed Control (Optional)	Remotely Mounted Speed Control Dimensions.....	40
	Installing the Remotely Mounted Speed Control.....	40
	Remotely Mounted Speed Control Wiring: 10 Lead SNTech Motors.....	41
	Remotely Mounted Speed Control Wiring: 6 Lead Genteq® Motors.....	42
User Servicing	Annual Preventive Maintenance.....	43
	General Troubleshooting.....	43
	Annual Maintenance Checklist.....	45
Optional Parts Order Form	Optional Parts Order Form.....	47
Warranty Return Instructions	Acknowledgment & Return Instructions.....	49
	Warranty Claim Form Instructions.....	50
	Warranty Claim Form.....	51
	Responsibility Agreement.....	52
Big Ass Fan Certified Installers	Check-In Procedure.....	53
	Close-Out Procedure.....	55

Introduction

1

Thank you and congratulations on your purchase of a Big Ass Fan, an efficient and cost-effective way to stay cool in the summer and warm in the winter. The revolutionary design of our fans combines the best of both form and function to bring power performance and a sleek look to any setting. More importantly, you have purchased a product that is backed by extensive research, thorough testing, and quality manufacturing. We're ready to answer any questions or comments at 1-877-BIG-FANS or visit our Web site at www.bigassfans.com.

Who we are and what we do

Big Ass Fans has been the preeminent manufacturer of large-diameter, low-speed fans since 1999. With a worldwide presence and located in beautiful Lexington, KY, we research, design, and manufacture the most effective air movement solutions on the market. Our never-ending commitment to quality and innovation keeps us at the leading edge of a burgeoning industry. With an eye to helping customers satisfy their needs, and a strong sense of corporate responsibility to the community, Big Ass Fans has redefined the way business is done.

2

Introduction (cont.)

About this fan

Yellow Jacket® is a durable, portable fan that incorporates all of the heavy-duty characteristics expected of a Big Ass Fan with the flexible mounting capabilities perfect for spaces requiring localized or additional air movement.

Technical Specifications

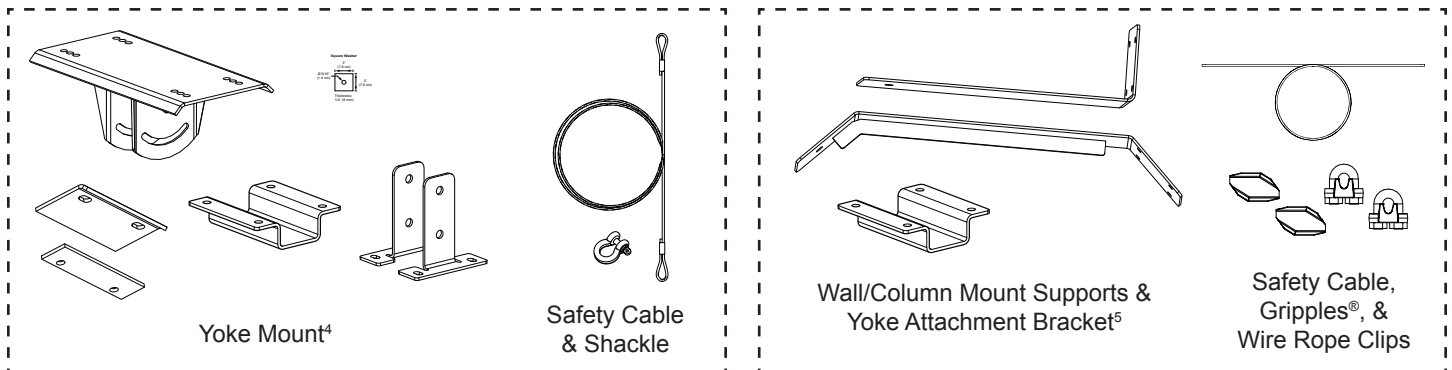
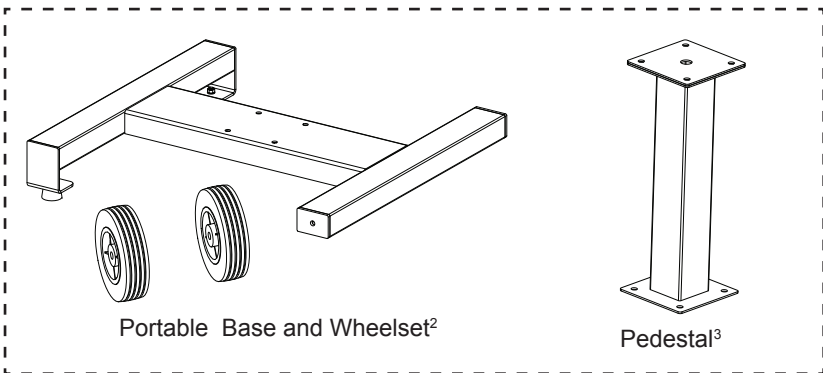
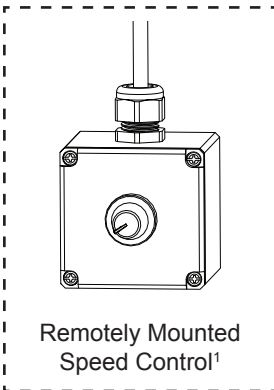
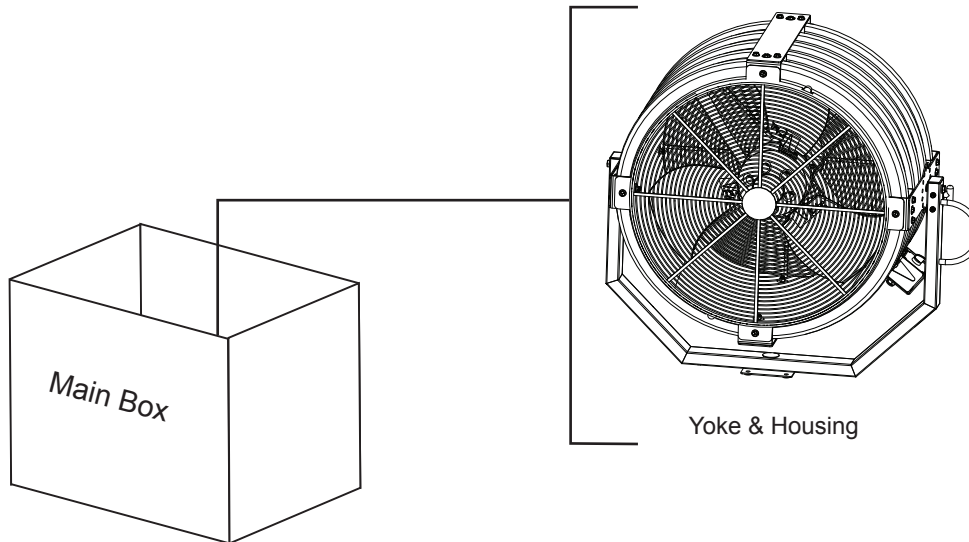
FAN WEIGHT (FAN & YOKE)	105 lbs (47.6 kg)
PORTABLE BASE, WHEELS, & PEDESTAL	37 lbs (16.7 kg)
MOTOR SIZE	0.5 HP (0.37 kW)
MINIMUM REQUIRED SUPPLY CIRCUIT SIZE	15A @ 100-125V, 1Φ 50/60 Hz
MAX INPUT CURRENT AT FULL RPM	8.5A @ 100-125VAC, 1Φ 50/60 Hz
ACTUAL CURRENT AT FULL RPM	6.5A @ 200-250VAC, 1Φ 50/60 Hz
POWER CONSUMPTION @ MIN SPEED	20 Watts; PF = 0.5
POWER CONSUMPTION @ MAX SPEED	600 Watts; PF = 0.7
SPEED RANGE	300-1300 RPM
OPERATIONAL TEMPERATURE RANGE	-40° F (-40° C) to 122° F (50° C)

Pre-Installation

What's in the box

The fan housing and motor are shipped in the main box. Depending on the mounting method, the appropriate parts will be shipped in a separate box within the main box. Refer to the illustrations below. If you are missing any components required for fan assembly or operation, contact Big Ass Fans Customer Service.

Note: Drawings below are not to scale. Dashed lines indicate internal boxes.



1. Optional. The remotely mounted speed control and cable are only included if ordered.
2. Optional. The portable base and wheelset are only included if ordered.
3. Optional. A pedestal is only included if ordered. Up to two (2) pedestals can be installed.
4. Optional. Yoke mount parts and hardware are only included if ordered.
5. Optional. Wall/Column mount parts and hardware are only included if ordered.


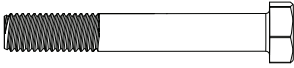
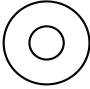

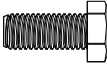
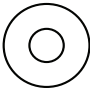

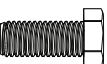
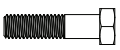

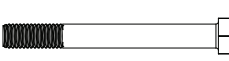



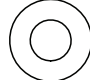

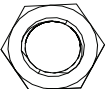
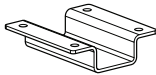
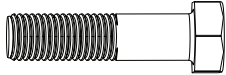
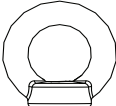

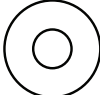
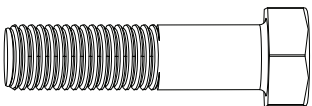
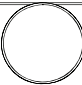

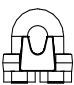

4

Pre-Installation (cont.)

Parts and hardware

You will only receive the hardware that will be installed with your selected mounting method. If you are mounting the fan to a wall, column, metal or wood superstructure, or concrete ceiling, some hardware used to secure the fan is customer-supplied. Big Ass Fans cannot provide specific installation details because of the wide variability of mounting surfaces, conditions, and fastening methods. Consult a structural engineer to determine the required hardware.

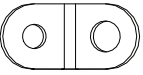
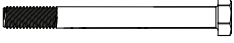
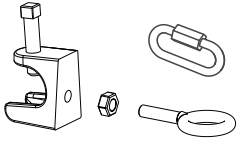
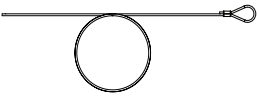


Note: Drawings below are not to scale.

Wheel Hardware							
	(2) 1/2-13 Hex Nut		(2) 1/2-13 x 3-1/2" Hex Bolt				
Base Hardware							
	(8) 3/8" Flat Washer	(4) 3/8-16 Nylock Nut	(4) 3/8-16 x 1" Hex Bolt				
Pedestal Hardware ¹							
	3/8" Flat Washer	3/8-16 Nylock Nut	3/8-16 x 1" Hex Bolt				
Yoke Mount Hardware							
	(4) 1/2-13 x 2" Hex Head Screw	(4) 3/8-16 x 1-1/4" Hex Head Screw	(4) 1/2-13 x 4-1/2" Hex Head Cap Screw	(4) 3/8-16 Nylock Nut	(8) 1/2-13 Nylock Nut	(8) 3/8" Flat Washer	(16) 1/2" Flat Washer
Wall/Column Mount Hardware							
	(2) 3/4" Flat Washer	3/4-10 Nut	Yoke Attachment Bracket		3/4-10 x 3-1/2" Hex Bolt		
Yoke Washer Assy Kit							
	3/4" Eyenut	Yoke Washer	3/4" Flat Washer	3/4-10 x 3" Hex Bolt			
Safety Cable Hardware ²							
	Safety Cable	(2) Grippler® & (2) Wire Rope Clip OR Shackle					

1. Quantities of the Pedestal Hardware vary depending on whether one or two pedestals will be attached.

2. The safety cable components are included only if you are mounting the fan with the Yoke Mount or Wall/Column Mount. For Yoke Mount installations, the safety cable will have two looped ends. Gripplers and wire rope clips are included with the Column Mount only. Shackles are included with the Yoke Mount only.

Parts and hardware (cont.)

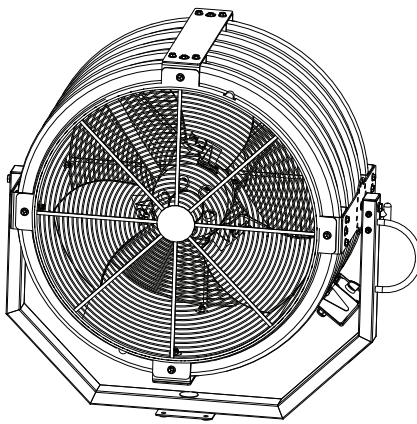
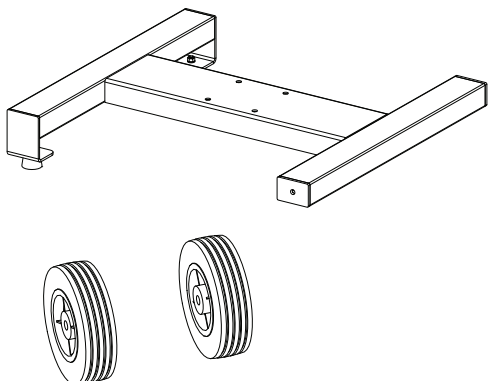
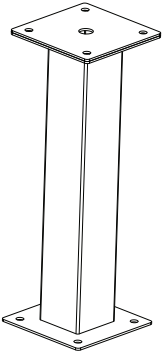
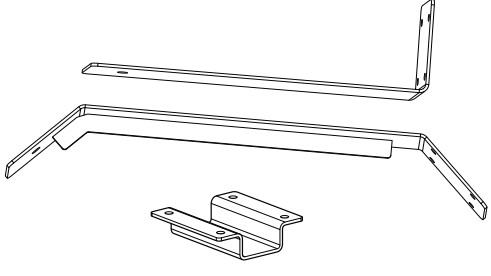
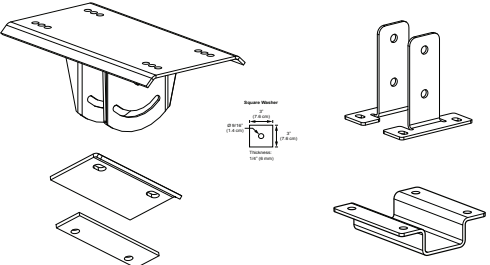
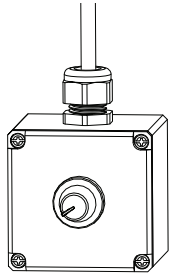
Guy Wire Hardware ¹			
	(4) Guy Wire Clip ²	(2) 1/2-13 x 5" GR 8 Bolt ²	(4) 1/4" Beam Clamp (4) 1/4-20 Hex Nut (4) 1/4-20 x 1" Eyebolt (4) Locking Carabiner
			
	(4) Guy Wire	(4) Gripple®	(8) Wire Rope Clip

- Guy wires are designed to constrain the fan's lateral movement. Guy wire hardware is packed separately from the fan hardware. Big Ass Fans recommends using guy wires if the fan's extension tube is 4 ft or longer; therefore, guy wires are included in all fan packages with 4 ft or longer extension tubes. Big Ass Fans also recommends using guy wires if the fan is exposed to high winds or similar conditions, or if the fan is close to any building fixtures. If you are installing the fan in any of these conditions and guy wires were not included in your order, contact Customer Service.
- Used only with fans that are mounted from a 4 ft or longer extension tube. These parts are packed separately from the other guy wire hardware.

Fan and mounting parts

You will only receive the mounting hardware that will be installed with your selected mounting method. If you are mounting the fan to a wall, column, metal or wood superstructure, or concrete, some hardware used to secure the wall/column mount supports is customer-supplied. Big Ass Fans cannot provide specific installation details because of the wide variability of mounting surfaces, conditions, and fastening methods. Consult a structural engineer to determine the required hardware.

Note: Drawings below are not to scale.

		
Fan Cage & Housing	Portable Base with Wheels	Pedestal ¹
		
Wall/Column Mount Supports & Yoke Attachment Bracket ²	Yoke Mount ³	Remotely Mounted Speed Control ⁴

- Optional. Pedestals are only included if ordered. Up to two (2) pedestals can be installed on Yellow Jacket.
- Optional. Wall/Column mount parts and hardware are only included if ordered.
- Optional. Yoke mount parts and hardware are only included if ordered. Square washers are only used if mounting the fan to angle irons.
- Optional. The remotely mounted speed control and cable are only included if ordered.

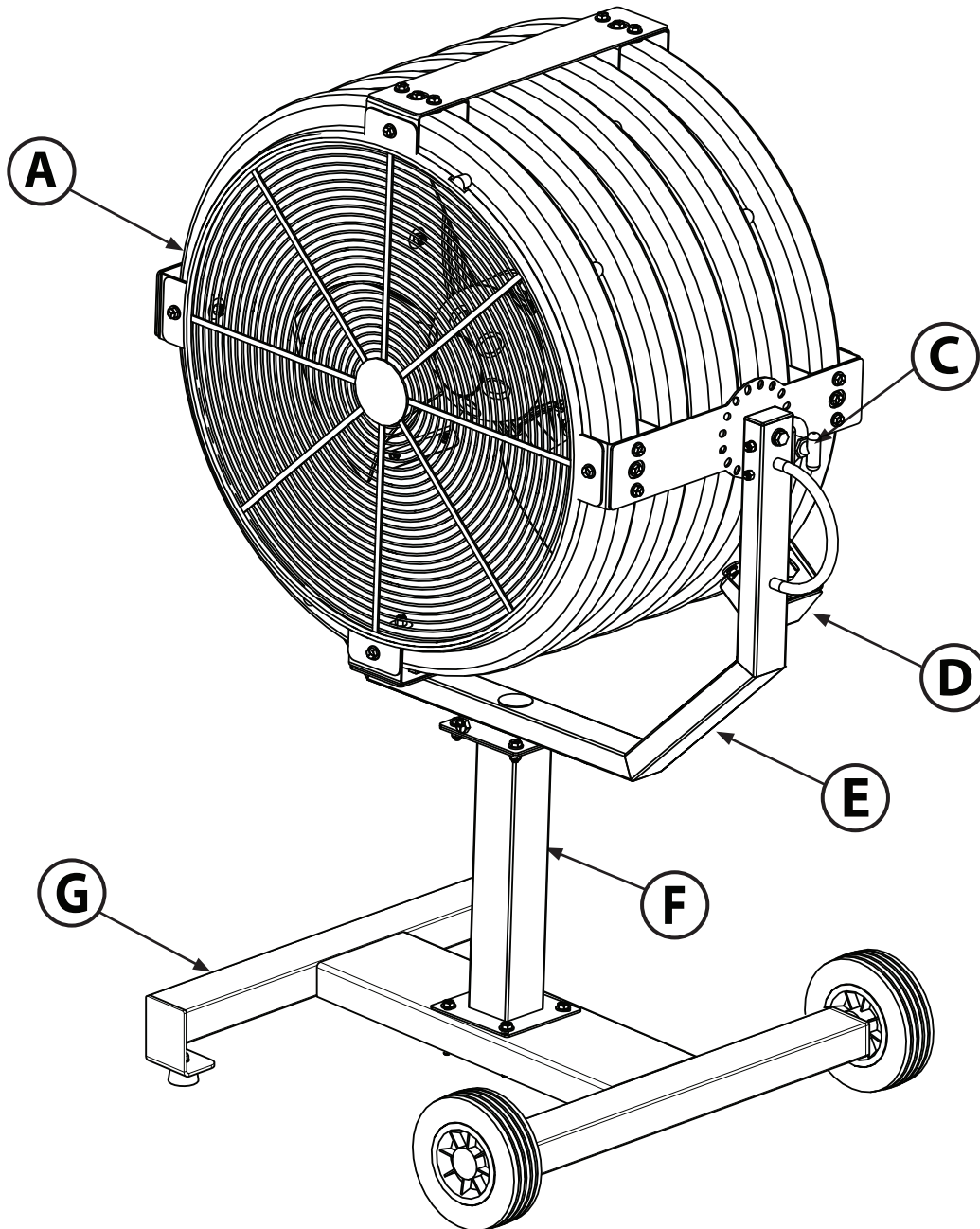
6

Pre-Installation (cont.)

Fan diagram

The diagram below shows a Yellow Jacket with one pedestal and portable base. If you ordered the Wall/Column mount, Yoke mount, Yoke Washer Assembly kit, or an extra pedestal, see the appropriate installation instructions.

- A. Protective Cage and Housing.** The steel cage and housing protect both the fan and users during operation.
- B. Fan Motor (not shown).** The fan motor powers the fan and controls the fan's speed, and is located on the backside of the fan.
- C. Position Locking Mechanism.** The locking mechanism secures the fan in the desired position.
- D. Fan Control.** Turns the fan on or off and controls fan speed.
- E. Yoke.** Supports the fan and includes handle for use when transporting fan.
- F. Pedestal.** Optional. Extends the fan to a higher position. Up to two (2) pedestals can be installed to heighten the fan.
- G. Portable Base.** Optional. Supports the yoke and fan. Wheels allow the fan to be easily transported around workspace.



Note: Fan setup may differ from the illustration.

Preparing the work site

When surveying the work site, keep the following guidelines in mind.

Mechanical Installation

- The Yellow Jacket weighs, at maximum, 105 lbs (48 kg). Practice proper lifting techniques when assembling the fan.
- If mounting the fan to an I-beam, the I-beam must have at least 65" (165 cm) of clearance below.
- The fan installation area must be clear of obstructions such as lights, cables, sprinklers, or other building structure parts.
- Consult a structural engineer for installation methods not covered in this manual.
- If mounting the fan in the vicinity of an infrared/radiant heater, it is recommended that the fan be mounted outside of the clearances recommended by the manufacturer of the heater and at a height equal to or above the shielding on the heating element with the controller on the opposite side of the heater. If mounting the fan below the heater shielding, all fan elements must be outside of the clearances recommended by the heater manufacturer and the VFD must be remotely mounted. The installation manual for the specific model of heater will typically provide the minimum clearance to combustibles (MCC).

Electrical Installation

- The installation of a Big Ass Fan must be in accordance with the National Electrical Code, ANSI/NFPA 70-2011, and all local codes.
- Refer to specifications on p. 38 for appropriate circuit requirements.
- The fan may begin to operate upon connection to power source. Do not apply AC supply power to fan until it is fully assembled and in an acceptable upright position.

Mounting overview

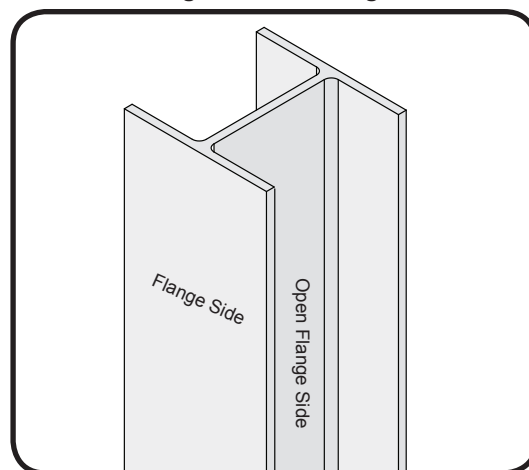
⚠ CAUTION: It is your responsibility to comply with all local and national codes and regulations regarding mounting procedures!

Before mounting the fan, ensure you have the proper mounting equipment for your mounting location. Depending on your airflow needs and your building structure, the Yellow Jacket can be mounted using one of the following methods:

- **Portable Base.** The portable base allows Yellow Jacket mobility around a workspace to create airflow where it is needed most. Up to two pedestals can be installed to heighten the range of airflow.
- **Wall/Column.** Yellow Jacket can be mounted to a wall or column using the Wall/Column Mount. The column can be one of a variety of shapes, e.g., round, flanged, square.
- **I-Beam.** Yellow Jacket can be mounted to an I-beam using the Yoke Mount. *Note: If the distance between the I-beam and obstructions less than 65" (165 cm), the I-Beam Mount must be used. Contact Customer Service for details.*
- **Bar Joists.** Yellow Jacket can be mounted to bar joists using the Yoke Mount.
- **Metal or Wood Superstructure.** Yellow Jacket can be hung from a building structure using chains or cables of rated strength to support the weight of the fan (approximately 105 lbs [48 kg]).
- **Concrete.** Yellow Jacket can be hung from a concrete structure using the Yoke Washer Assembly Kit and customer-supplied hardware.

Note: Consult a structural engineer to determine the required mounting hardware when mounting to a wall, column, metal or wood superstructure, or a concrete ceiling. The hardware must be of sufficient strength to safely support the fan. Big Ass Fans cannot provide specific installation details for these applications because of the wide range of mounting surfaces, conditions, and fastening methods.

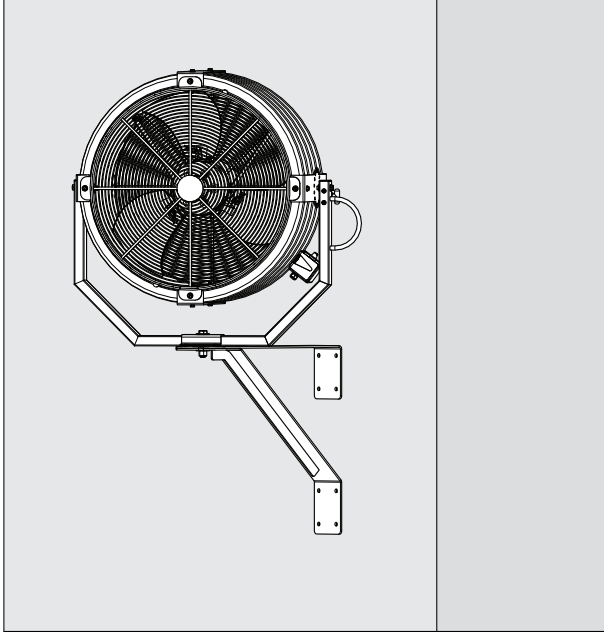
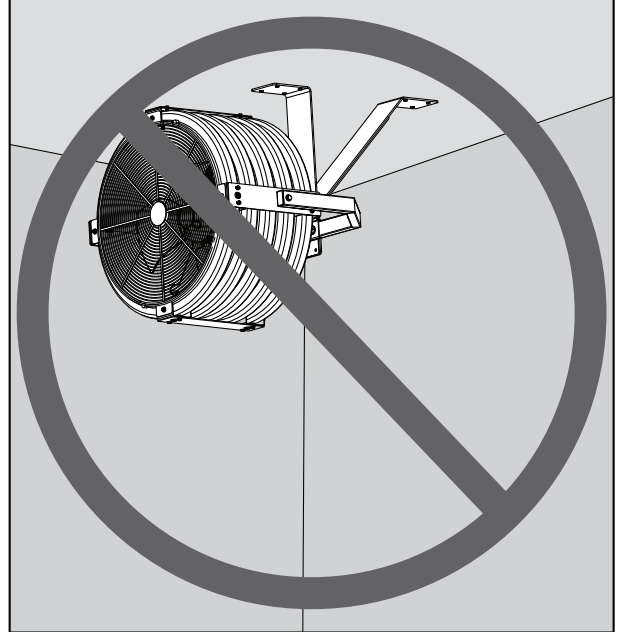
Flanged Column Diagram



Note: Column may differ from the illustration.

Pre-Installation (cont.)

If hanging the fan using the Wall/Column Mount, the brackets must be positioned and mounted as shown below. Do not mount the fan in any other position or orientation without consulting a structural engineer.

Correct Wall/Column Mount Orientation**Incorrect Wall/Column Mount Orientation**

Mounting Method: Portable Base

9

⚠ WARNING: To reduce the risk of fire, electric shock, and injury to persons, the fan must be installed with the supplied mounting hardware. Other mounting hardware cannot be substituted.

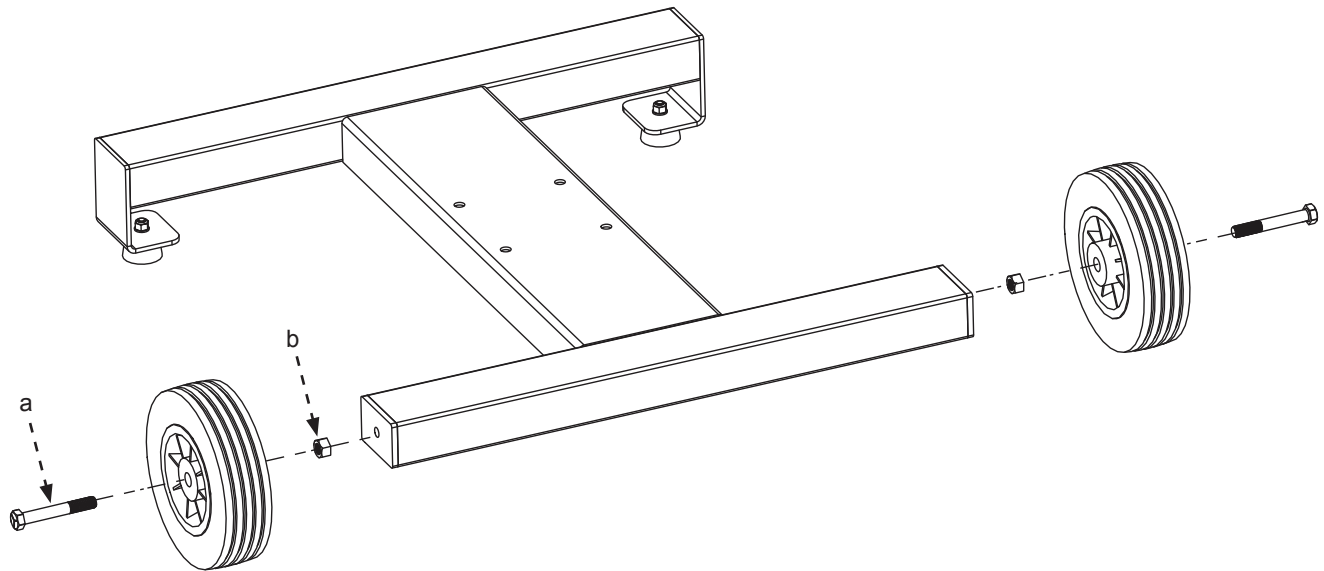
1. Attach wheels (to portable base)

To install the wheels, insert the screw through the center of the wheel. Thread the hex nut onto the screw approximately 1", and then insert the screw (attached to the wheel) into the hole on the fan base until it is tight. Screw the hex nut against the base, but do not overtighten. Repeat on the other wheel. Test the wheels to ensure they rotate freely.

Wheel Hardware (BAF-supplied):

- a. (2) 1/2-13 x 3-1/2" Hex Head Cap Screw
- b. (2) 1/2"-13 Hex Nut

If you are mounting the fan directly to the portable base, continue to step 2. If you are installing pedestal(s), proceed to step 2b.



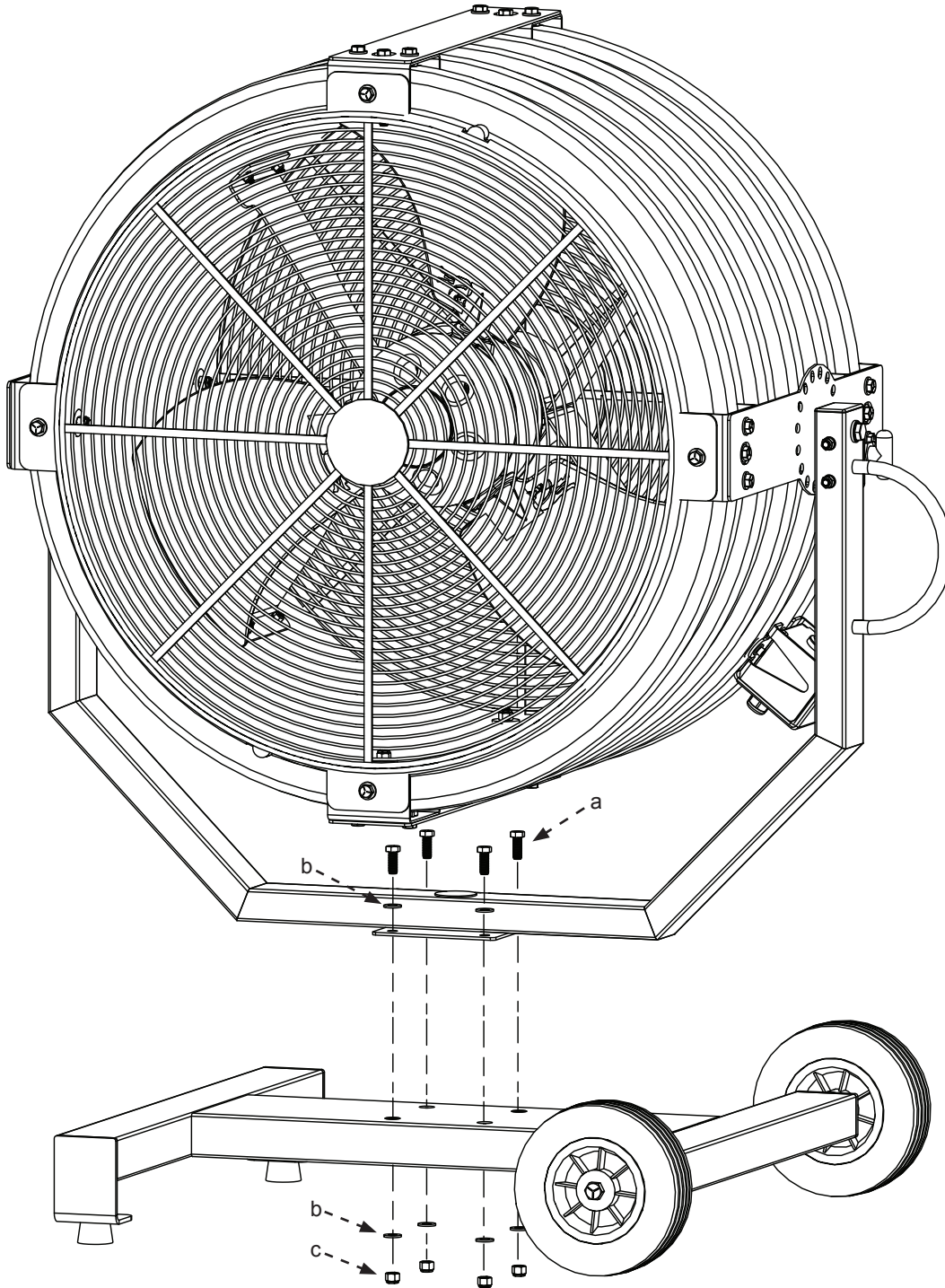
2a. Attach fan (to portable base)

Attach the fan to the portable base with the Base Hardware as shown. Position the yoke so that the handle is on the same side as the wheels.

Proceed to “Electrical Installation” on p. 38.

Base Hardware (BAF-supplied):

- a. (4) 3/8"-16 x 1" Bolt
- b. (8) 3/8" Washer
- c. (4) 3/8"-16 Nylock Nut



2b. Attach pedestal (to portable base)

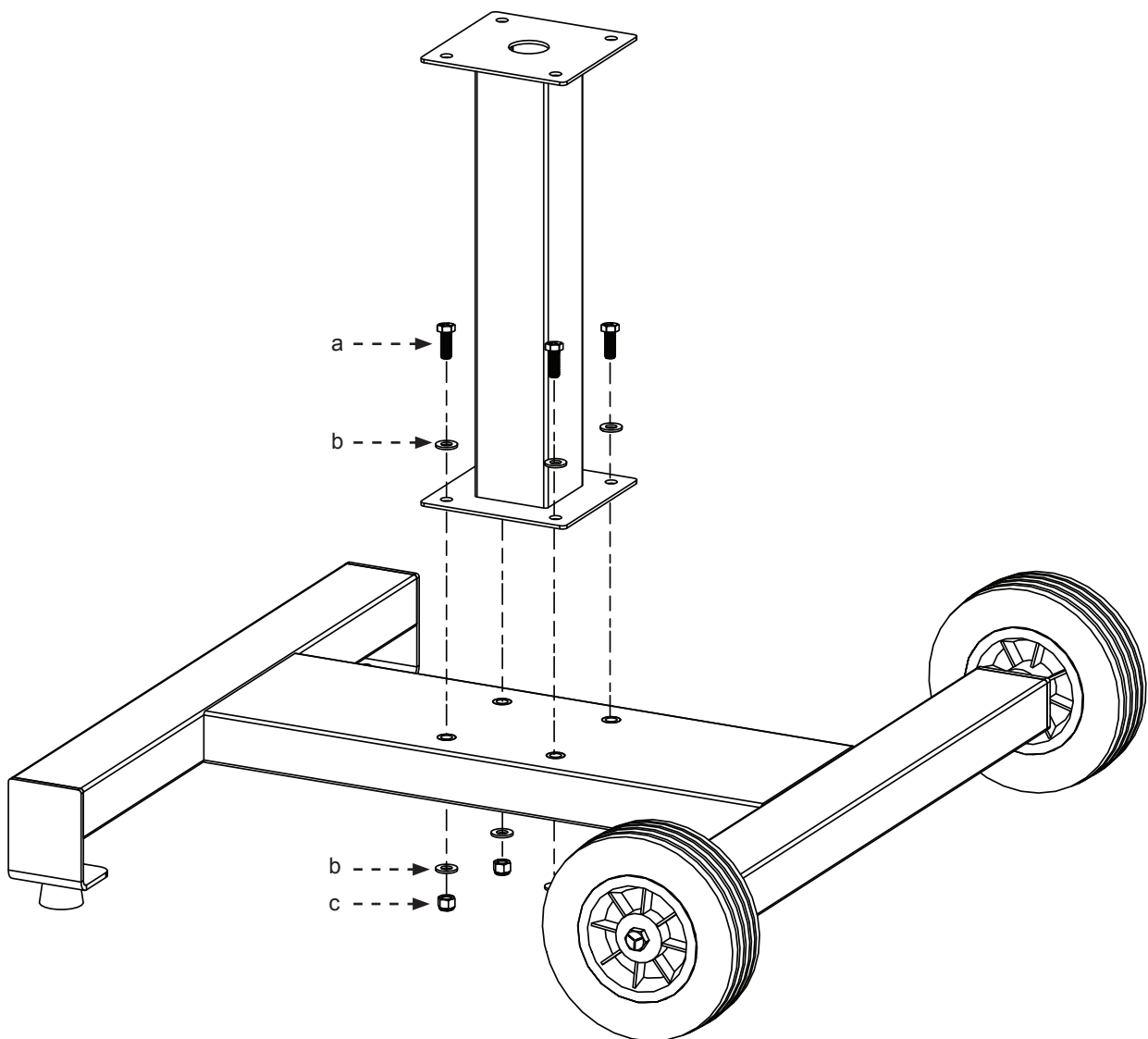
Pedestals are only included if ordered.

Attach the pedestal to the portable base with the Base Hardware as shown.

Proceed to step 4 unless you purchased a second pedestal. If installing a second pedestal, continue to step 3.

Base Hardware (BAF-supplied):

- a. (4) 3/8"-16 x 1" Bolt
- b. (8) 3/8" Washer
- c. (4) 3/8"-16 Nylock Nut



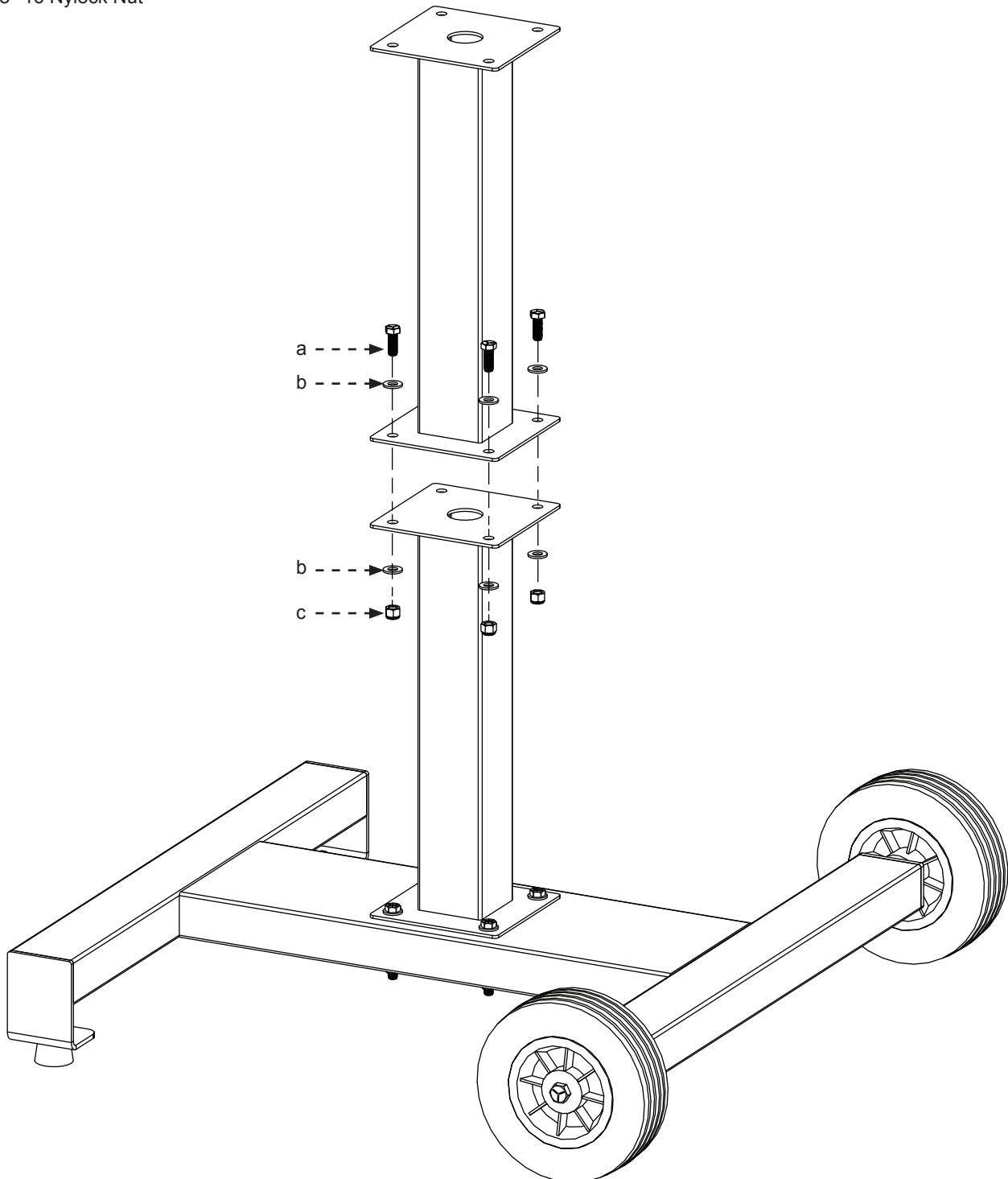
3. Attach second pedestal (to pedestal)

Up to two (2) pedestals can be installed. A second pedestal is only included if ordered. If you did not order a second pedestal, continue to step 4.

After securing the first pedestal to the portable base, attach the pedestal with the Pedestal Hardware as shown.

Pedestal Hardware (BAF-supplied):

- a. (4) 3/8"-16 x 1" Bolt
- b. (8) 3/8" Washer
- c. (4) 3/8"-16 Nylock Nut



4. Attach yoke (to pedestal)

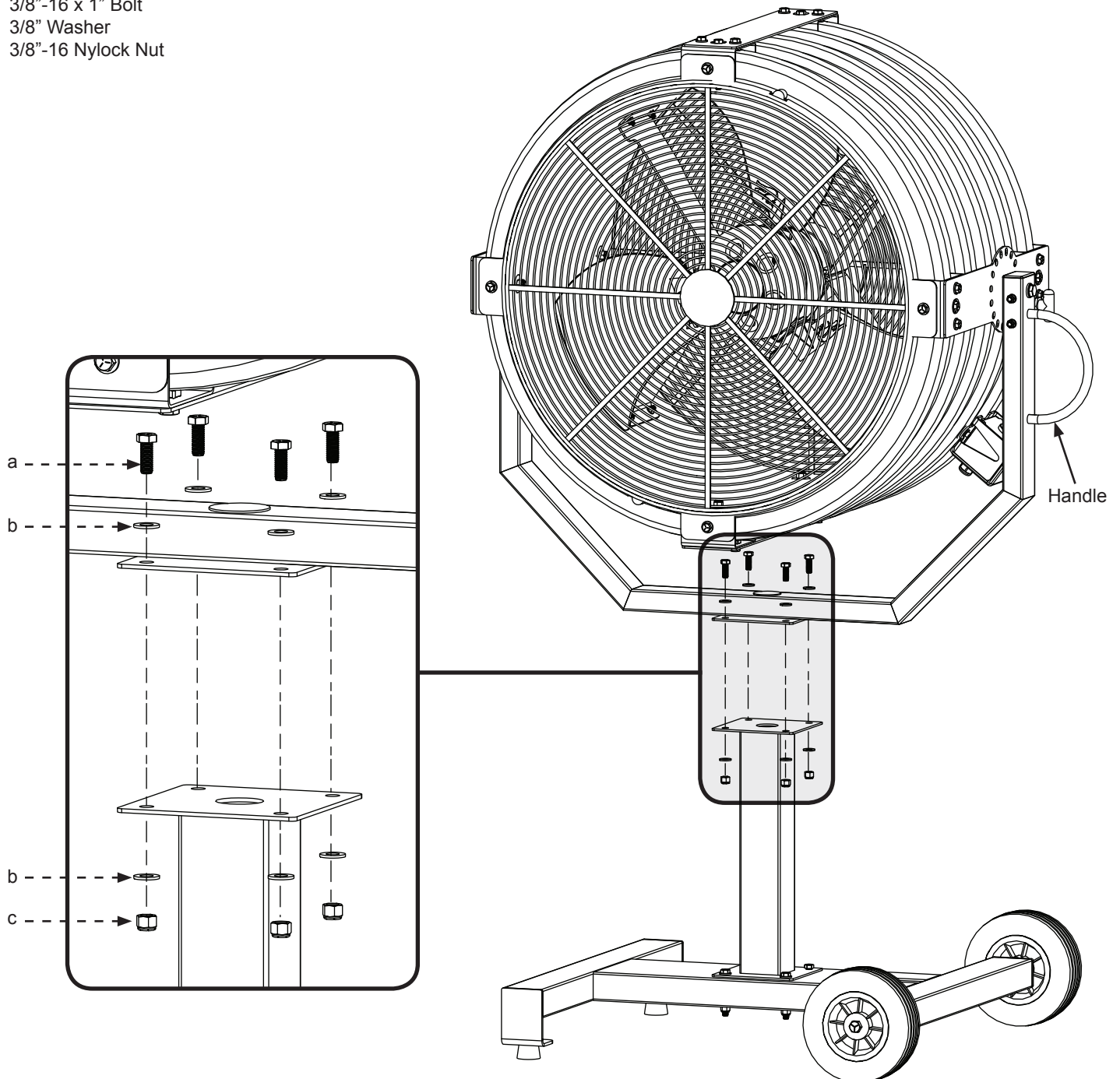
Ensure the position locking pin is secured prior to attaching the yoke to the pedestal.

Attach the fan yoke to the pedestal with the Pedestal Hardware as shown. Position the yoke so that the handle is on the same side as the wheels.

Proceed to “Electrical Installation” on p. 38.

Pedestal Hardware (BAF-supplied):

- a. 3/8”-16 x 1” Bolt
- b. 3/8” Washer
- c. 3/8”-16 Nylock Nut



14 Mounting Structure: Wall

- ⚠ **WARNING:** The fan should not be installed unless the structure on which the fan is to be mounted is of sound construction, undamaged, and capable of supporting the loads of the fan and its method of attachment. Verifying the stability of the mounting structure is the sole responsibility of the customer and/or end user, and Big Ass Fans hereby expressly disclaims any liability arising therefrom, or arising from the use of any materials or hardware other than those supplied by Big Ass Fans or otherwise specified in these installation instructions.
- ⚠ **CAUTION:** It is your responsibility to comply with all local and national codes and regulations regarding mounting procedures and installation height!
- ⚠ **CAUTION:** Do not install the Wall/Column Mount from a ceiling or any other building structure that is not a wall or a column. Consult a structural engineer for mounting conditions that are not covered in this installation manual!
- ⚠ **The safety cable must be installed if mounting the fan to a wall.**

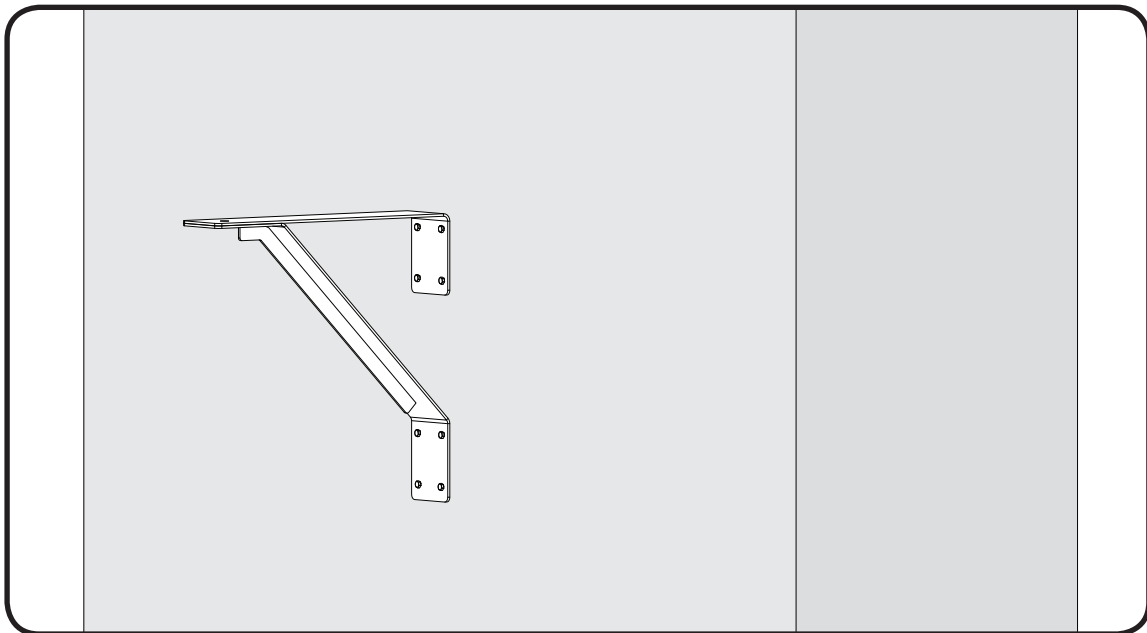
The Yellow Jacket® can be mounted to a wall surface that is free of foreign objects that may interfere with the fan. The following instructions are merely a recommendation for mounting the Yellow Jacket on a wall. Consult a structural engineer to determine the best method for mounting your fan.

1. Attach supports (to wall)

Consult a structural engineer to determine the required hardware, which should be of sufficient strength and quantity to support the weight of the fan and its method of attachment. It is the installer's responsibility to verify the adequacy of the wall and mounting hardware.

Select a mounting location that is free of foreign objects that may obstruct airflow. Attach the supports to a flat wall surface using customer-supplied hardware, orienting the supports as shown below.

Note: All hardware used to mount the supports is customer-supplied. Big Ass Fans cannot provide specific installation details because of the wide variability of mounting surfaces, conditions, and fastening methods. Consult a structural engineer to determine the required hardware.



Attach the supports in the orientation shown above. Do not mount the supports vertically!

2. Secure yoke (to supports)

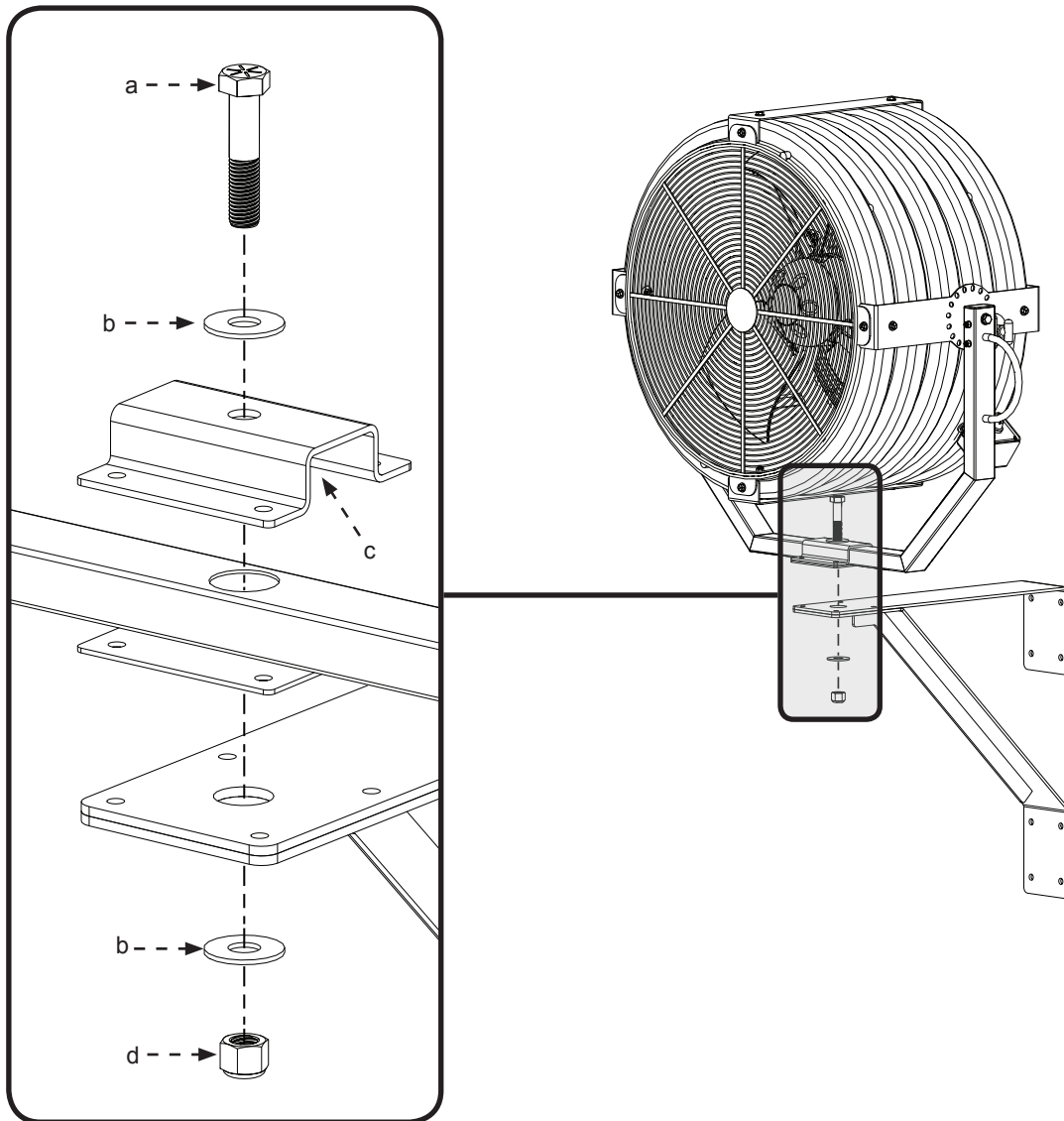
Ensure the position locking pin is secured prior to attaching the fan yoke to the supports.

Secure the fan yoke to the supports with the Wall/Column Mount Hardware as shown. Tighten the nuts.

Proceed to “Electrical Installation” on p. 38.

Wall/Column Mount Hardware (BAF-supplied):

- a. (1) 3/4-10 x 3-1/2" Hex Bolt
- b. (2) 3/4" Flat Washer
- c. (1) Yoke Attachment Bracket
- d. (1) 3/4-10 Nut



16 Mounting Structure: Column

- ⚠ **WARNING:** The fan should not be installed unless the structure on which the fan is to be mounted is of sound construction, undamaged, and capable of supporting the loads of the fan and its method of attachment. Verifying the stability of the mounting structure is the sole responsibility of the customer and/or end user, and Big Ass Fans hereby expressly disclaims any liability arising therefrom, or arising from the use of any materials or hardware other than those supplied by Big Ass Fans or otherwise specified in these installation instructions.
- ⚠ **CAUTION:** It is your responsibility to comply with all local and national codes and regulations regarding mounting procedures and installation height!
- ⚠ **The safety cable must be installed if mounting the fan to a column.**

The Yellow Jacket® can be mounted to a column that is part of the existing building structure. The following instructions are merely a recommendation for mounting the Yellow Jacket on a column. Consult a structural engineer to determine the best method for mounting your fan.

1. Prepare angle irons

Note: All hardware (including angle irons) used to secure the wall/column mount supports is customer-supplied. Big Ass Fans cannot provide specific installation details because of the wide variability of mounting surfaces, conditions, and fastening methods. Consult a structural engineer to determine the required hardware.

Cut each angle iron to the appropriate length using the width of the column, round or flanged (flange or open-flange side), as a reference.

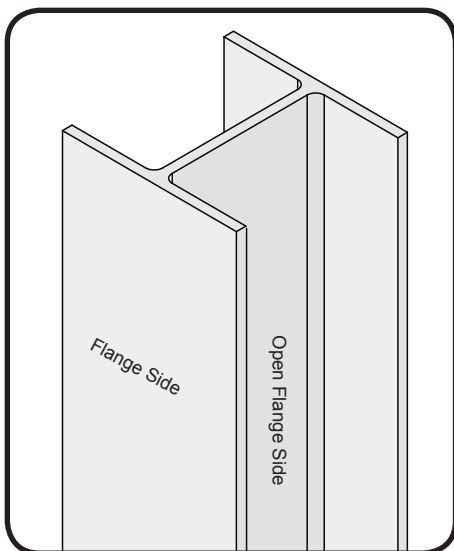
Drill a $\varnothing 9/16$ " hole on each end of the angle iron $3/4$ " (1.9 cm) from the edge of the column. Refer to the table and illustration below. Repeat the above process on all angle irons.

Angle Iron Requirements

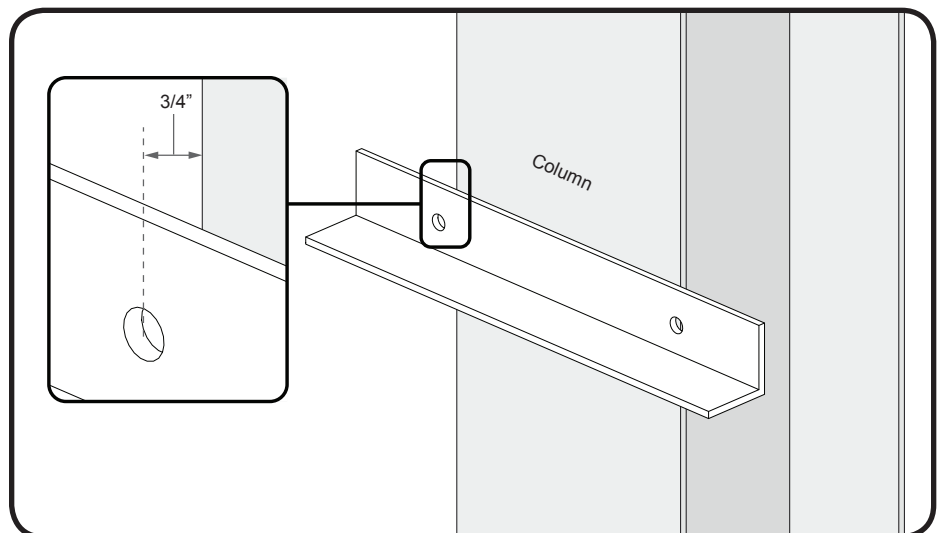
Column mounting application	Minimum angle iron dimensions (W x H x T)	Number of angle irons needed
Flanged Column (Flange Side)*	2.5 x 2.5 x 0.25	4
Flanged Column (Open Flange Side)*	2.5 x 2.5 x 0.25	8
Round Column	2.5 x 2.5 x 0.25	2

*Refer to the diagram below.

Flanged Column Diagram



Angle Iron Diagram



Note: Exact installation may differ from the illustration.

2. Attach supports (to column)

⚠ CAUTION: It is your responsibility to comply with all local and national codes and regulations regarding mounting procedures and installation height!

⚠ CAUTION: The column on which the fan will be mounted must be verified as sufficient to support the weight of the fan.

Secure the wall/column supports to the column with the customer-supplied hardware listed below. Refer to the appropriate illustration on the following page for your column mounting application.

Note: All hardware used to secure the wall/column mount supports is customer-supplied. Big Ass Fans cannot provide specific installation details because of the wide variability of mounting surfaces, conditions, and fastening methods. Consult a structural engineer to determine the required hardware. The table below provides a general description of the hardware recommended for suggested column mounting applications.

Recommended Mounting Hardware

Column mounting application	Required hardware
Flanged Column (Flange Side)*	(4) 1/2" All-thread (8) Grade 5 1/2" Washer (8) Grade 5 1/2-13 Nylock Nut
Flanged Column (Open Flange Side)*	(8) 1/2" All-thread (32) Grade 5 1/2" Washer (24) Grade 5 1/2-13 Nylock Nut (8) 1/2-13 x 1-1/2" Grade 5 Bolt
Round Column**	(2) U-bolt (4) Washer (4) Nylock Nut

*Refer to the Flanged Column Diagram on the previous page.

**Hardware sizes for round column applications is the responsibility of the installer.

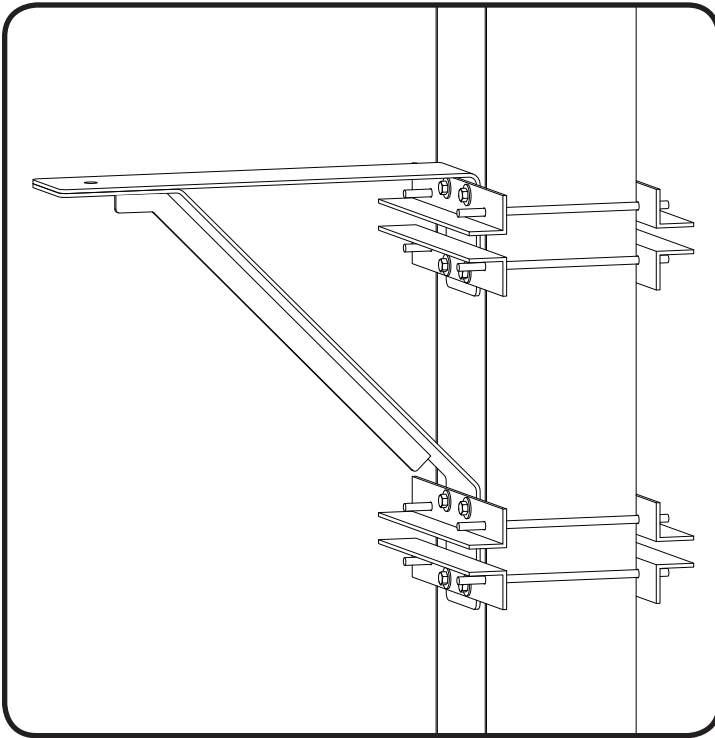
Tighten the hardware to a torque sufficient to support the weight of the fan, being careful not to deform the column. *Note: The torque of the hardware depends on the grade of hardware and size of the fastener. The torque of the nuts on the U-bolt is the responsibility of the installer, as this will vary by U-bolt size.*

Mounting Structure: Column (cont.)

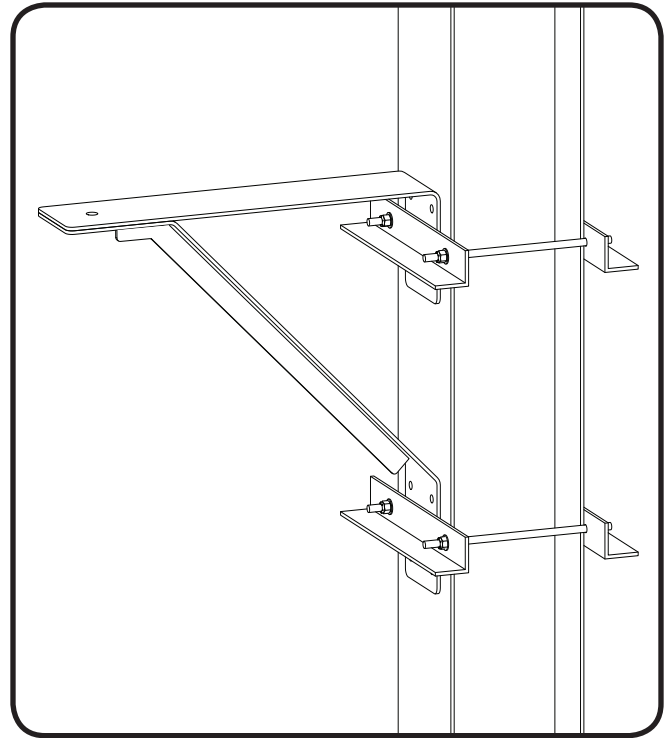
- ⚠ CAUTION: It is your responsibility to comply with all local and national codes and regulations regarding mounting procedures and installation height!
- ⚠ CAUTION: The column on which the fan will be mounted must be verified as sufficient to support the weight of the fan.

Attach the supports in the orientation shown in this installation guide. Do not mount the supports vertically!

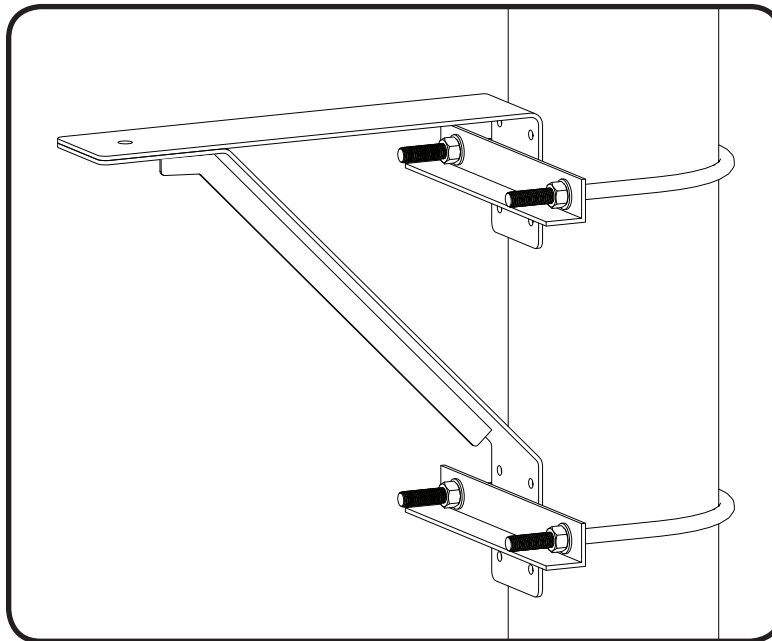
Open-Flange Side Installation



Flange Side Installation



Round Column Installation



3. Secure yoke (to supports)

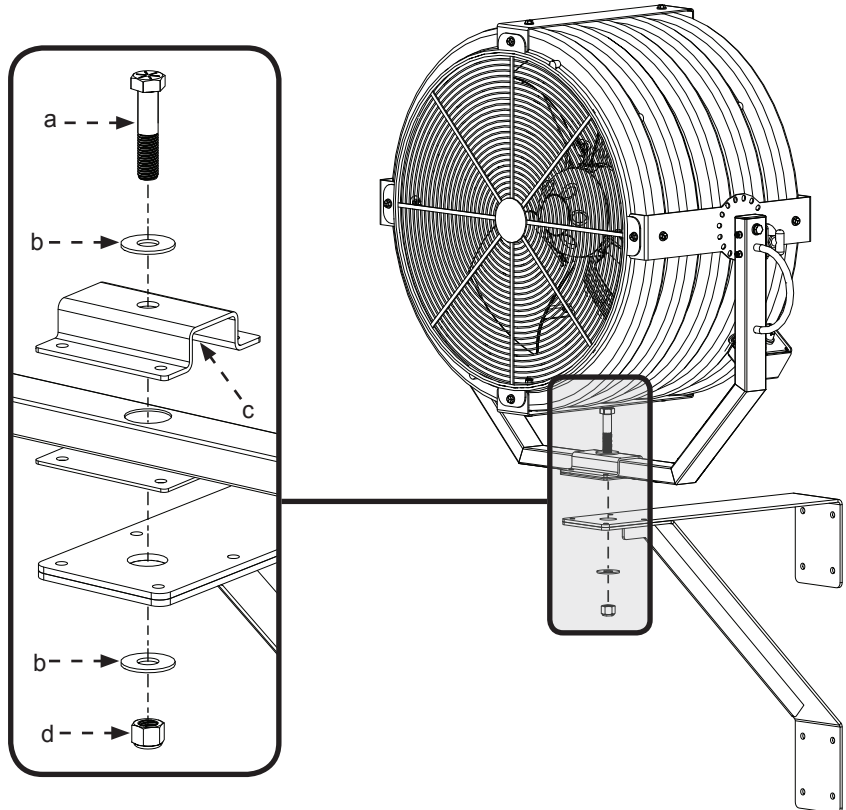
Ensure the position locking pin is secured prior to attaching the fan yoke to the supports.

Attach the fan yoke to the supports with the Wall/Column Mount Hardware as shown. Tighten the nuts.

After installation, the fan must be inspected to verify it is sufficiently secured to the column. Depending on the size and surface of the column, the fan may be more prone to rotate if subjected to a lateral force.

Wall/Column Mount Hardware (BAF-supplied):

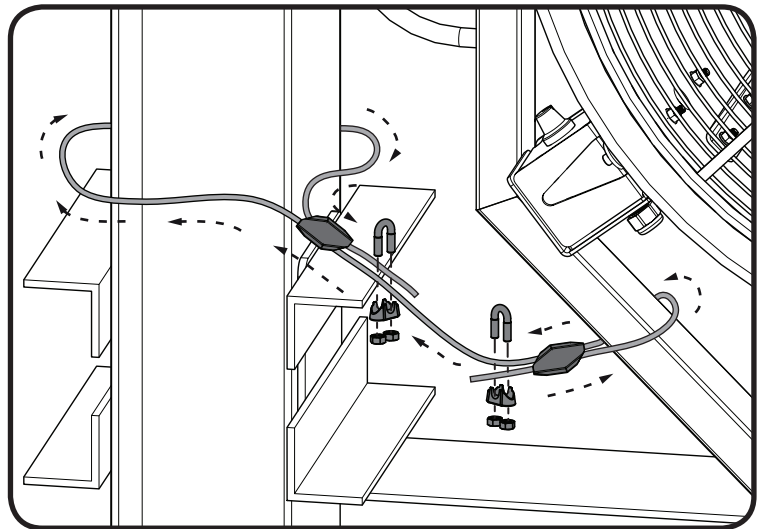
- a. (1) 3/4-10 x 3-1/2" Hex Bolt
- b. (2) 3/4" Flat Washer
- c. (1) Yoke Attachment Bracket
- d. (1) 3/4-10 Nut



4. Secure safety cable

⚠ WARNING: The safety cable is a crucial part of the fan and must be installed correctly. If you have any questions, call Customer Service.

1. Route one end of the safety cable through a Gripple®, and then loop the cable around the fan yoke and back through the Gripple as shown.
2. Route the cable through the second Gripple, around the column, and then back through the second Gripple as shown.
3. Pull the loose ends of the cable through the Gripples until the cable is drawn tightly around the column and fan yoke.
4. Secure the loose ends of the cable with the two (2) wire rope clips and torque to **4.5 ft·lb (6.1 N·m)**.



Note: To back the safety cable out of the Gripple, insert a 1/16" (1.5 mm) Allen wrench into the small hole on the Gripple.

Proceed to "Electrical Installation" on p. 38.

20

Mounting Structure: I-Beam

⚠ WARNING: The fan should not be installed unless the structure on which the fan is to be mounted is of sound construction, undamaged, and capable of supporting the loads of the fan and its method of attachment. Verifying the stability of the mounting structure is the sole responsibility of the customer and/or end user, and Big Ass Fans hereby expressly disclaims any liability arising therefrom, or arising from the use of any materials or hardware other than those supplied by Big Ass Fans or otherwise specified in these installation instructions.

⚠ CAUTION: Do not fasten the I-Beam mount to vertical I-beams, i.e., I-beams serving as columns.

Depending on the size of the I-beam, the Yoke Mount kit comes with either a small or large upper yoke.

1. Attach upper yoke (to I-beam)

Measure the flange width of the I-beam. Consult the tables and diagram below. Select the upper yoke mounting holes that match the flange width of the I-beam.

Secure the upper yoke to the I-beam with the Yoke Hardware as shown. Tighten the bolts to **40 ft·lb (54.2 N·m)**.

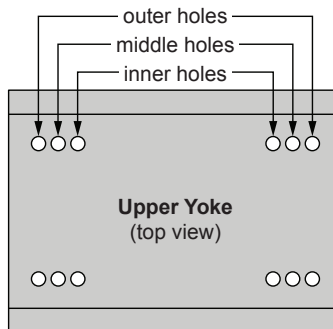
Upper Yoke Hardware (BAF-Supplied):

- (4) 1/2-13 x 2" Bolt
- (8) 1/2" Flat Washer
- (4) 1/2-13 Nylock Nut
- (2) Beam Clamp
- (2) Spacer

Small Upper Yoke

13-3/4" (349 mm) x 10" (258 mm)

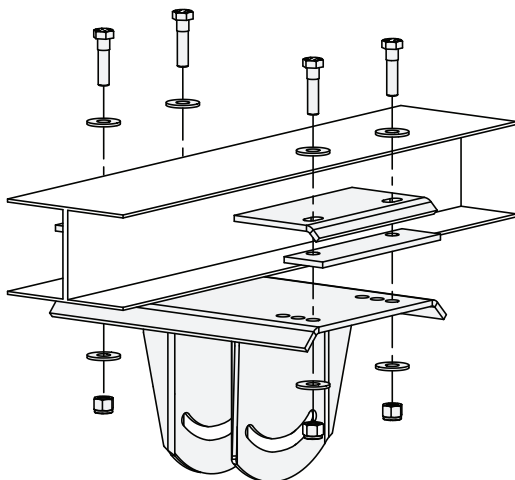
I-beam flange width	Upper yoke mounting holes
5" (127 mm) to 6-5/8" (168 mm)	Inner holes
>6-5/8" (168 mm) to 8-1/4" (210 mm)	Middle holes
>8-1/4" (210 mm) to 9-7/8" (250 mm)	Outer holes



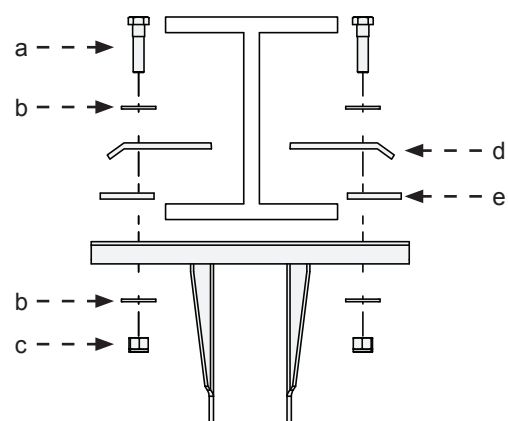
Large Upper Yoke

18-1/2" (470 mm) x 10" (258 mm)

I-beam flange width	Upper yoke mounting holes
9-7/8" (250 mm) to 11-3/8" (289 mm)	Inner holes
>11-3/8" (289 mm) to 13" (330 mm)	Middle holes
>13" (330 mm) to 14-5/8" (371 mm)	Outer holes



Side View

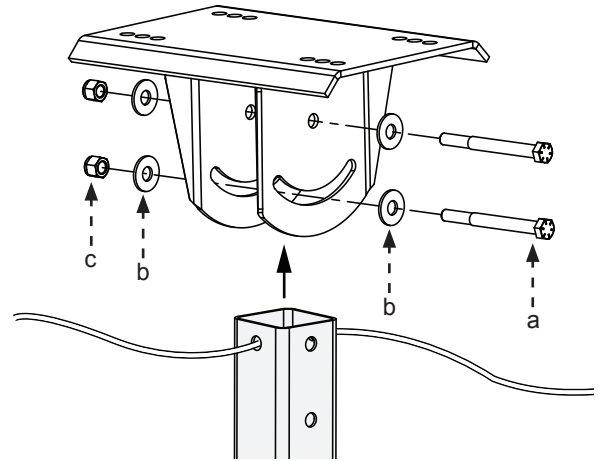


2. Attach extension tube (to upper yoke)

Fasten the extension tube to the upper yoke with the Extension Tube Hardware as shown. Before tightening the bolts, allow the extension tube to hang freely and balance itself. Tighten the bolts to **40 ft·lb (54.2 N·m)**.

Extension Tube Hardware (BAF-Supplied):

- a. (2) 1/2-13 x 4-1/2" Bolt
- b. (4) 1/2" Flat Washer
- c. (2) 1/2-13 Nylock Nut

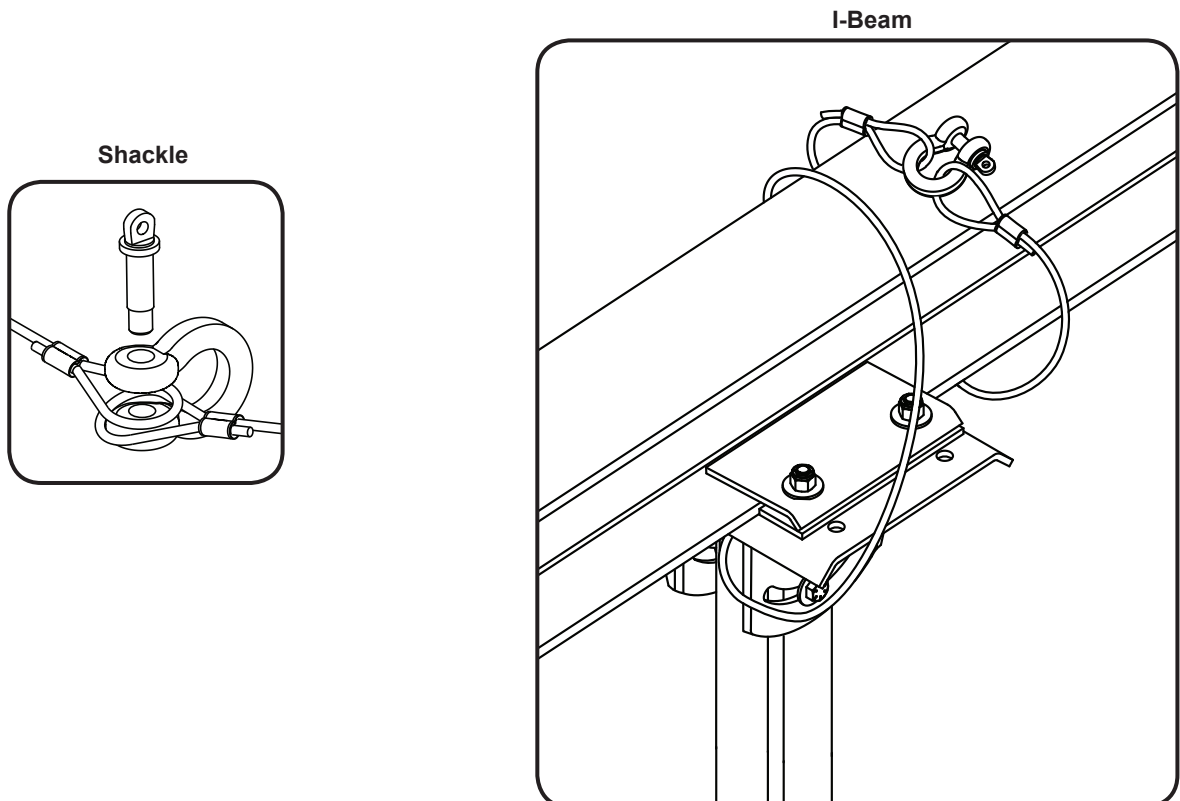


3. Secure safety cable

⚠ WARNING: The safety cable is a crucial part of the fan and must be installed correctly. If you have any questions, please contact Big Ass Fans Customer Service.

The safety cable is already attached to the extension tube.

Secure the safety cable by wrapping it around the I-beam and connecting the looped ends with the shackle as shown. The cable must be drawn tightly around the I-beam, leaving as little slack as possible. If possible, the shackle should be on the topside of the I-beam. Securely tighten the shackle.



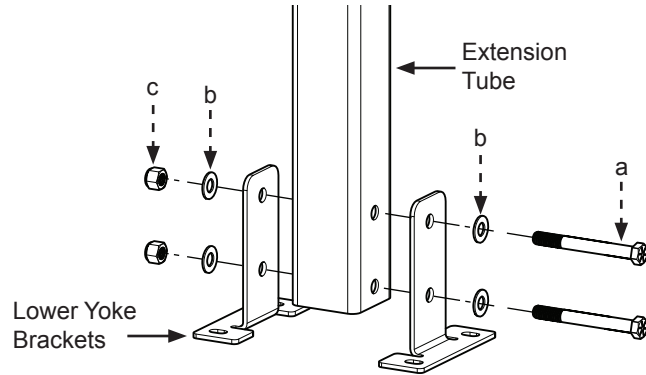
4a. Attach lower yoke brackets (to extension tube, 3 ft or shorter)

Secure the lower yoke brackets to the lower portion of the extension tube with the remaining Extension Tube Hardware. Tighten the bolts until snug, but do not fully tighten.

Proceed to step 8.

Extension Tube Hardware (BAF-Supplied):

- a. (2) 1/2-13 x 4-1/2" GR 8 Bolt
- b. (4) 1/2" Flat Washer
- c. (2) 1/2-13 Nylock Nut



4b. Attach lower yoke brackets (to extension tube, 4 ft or longer)

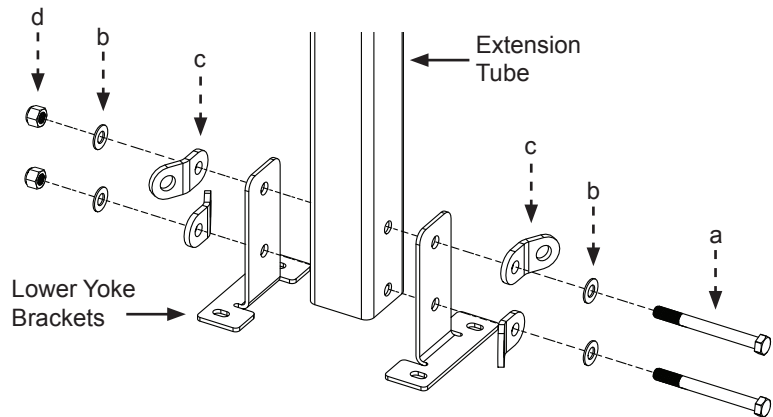
Use the 5" bolts that are packed with the guy wire clips in place of the 4-1/2" bolts included with the fan hardware.

Secure the lower yoke brackets to the lower portion of the extension tube with the remaining Extension Tube Hardware, the 5" bolts, and the guy wire clips. Orient the guy wire clips as shown below. Tighten the bolts until snug, but do not fully tighten.

Proceed to step 5.

Extension Tube Hardware (BAF-Supplied):

- a. (2) 1/2-13 x 5" GR 8 Bolt
- b. (4) 1/2" Flat Washer
- c. (4) Guy Wire Clip
- d. (2) 1/2-13 Nylock Nut



5. Attach beam clamp

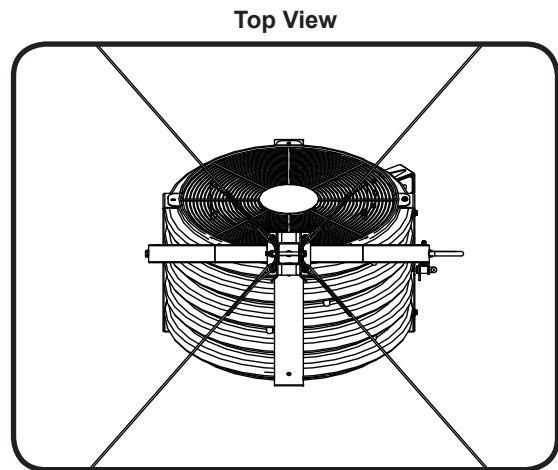
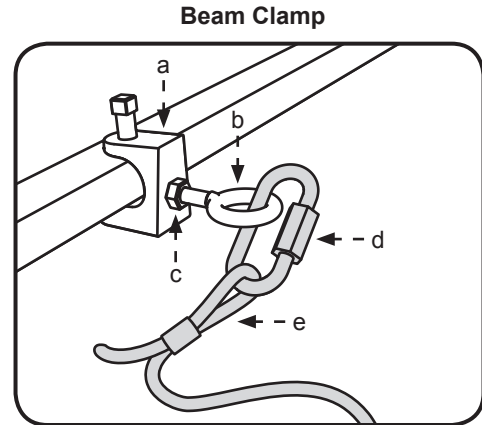
Attach the beam clamp to the I-beam. *The guy wire should be at a 30°–45° angle from the roof to the Yellow Jacket® extension tube. Place the beam clamp accordingly.* Fully tighten the set screw to secure the clamp.

Fasten the small eyebolt and nut onto the beam clamp. The nut will be on the outside of the beam clamp.

Loop the crimped end of the guy wire into the locking carabiner and secure to the eyebolt as shown. Securely tighten the carabiner.

Guy Wire Hardware (BAF-Supplied):

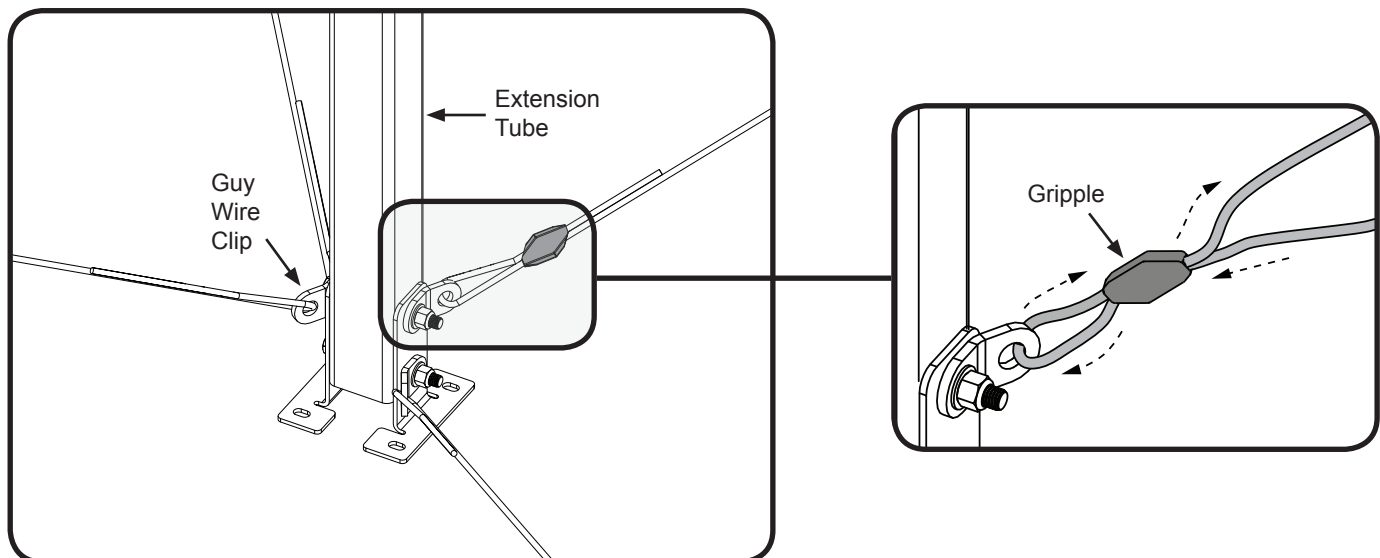
- a. (4) 1/4" Beam Clamp
- b. (4) 1/4-20 x 1" Eyebolt
- c. (4) 1/4-20 Hex Nut
- d. (4) Locking Carabiner
- e. (4) Guy Wire



6. Route guy wire through Gripple®

Route the guy wire through the Gripple, the guy wire clip at the bottom of the extension tube, and back through the Gripple as shown. Do not tighten the Gripple until the remaining guy wires have been installed.

Note: To back the guy wire out of the Gripple, insert a 1/16 (1.5 mm) Allen wrench into the small hole on the Gripple.



7. Install remaining guy wires

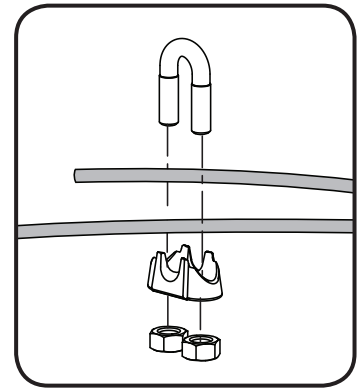
⚠ CAUTION: Over-tightening the guy wires could throw the fan off balance.

Repeat steps 5–6 to install the three remaining guy wires.

Evenly cinch all four guy wires into place using the Gripples®. The guy wires should be taut and evenly spaced around the extension tube.

Once all of the guy wires are taut, secure their loose ends with the wire rope clips and torque to **4.5 ft·lb (6.1 N·m)**. Ensure all electrical cords/cables are unobstructed by the guy wire system.

Wire Rope Clip



8. Attach fan (to lower yoke)

⚠ CAUTION: Ensure the position locking pin is secured prior to attaching the fan to the lower yoke attachment bracket!

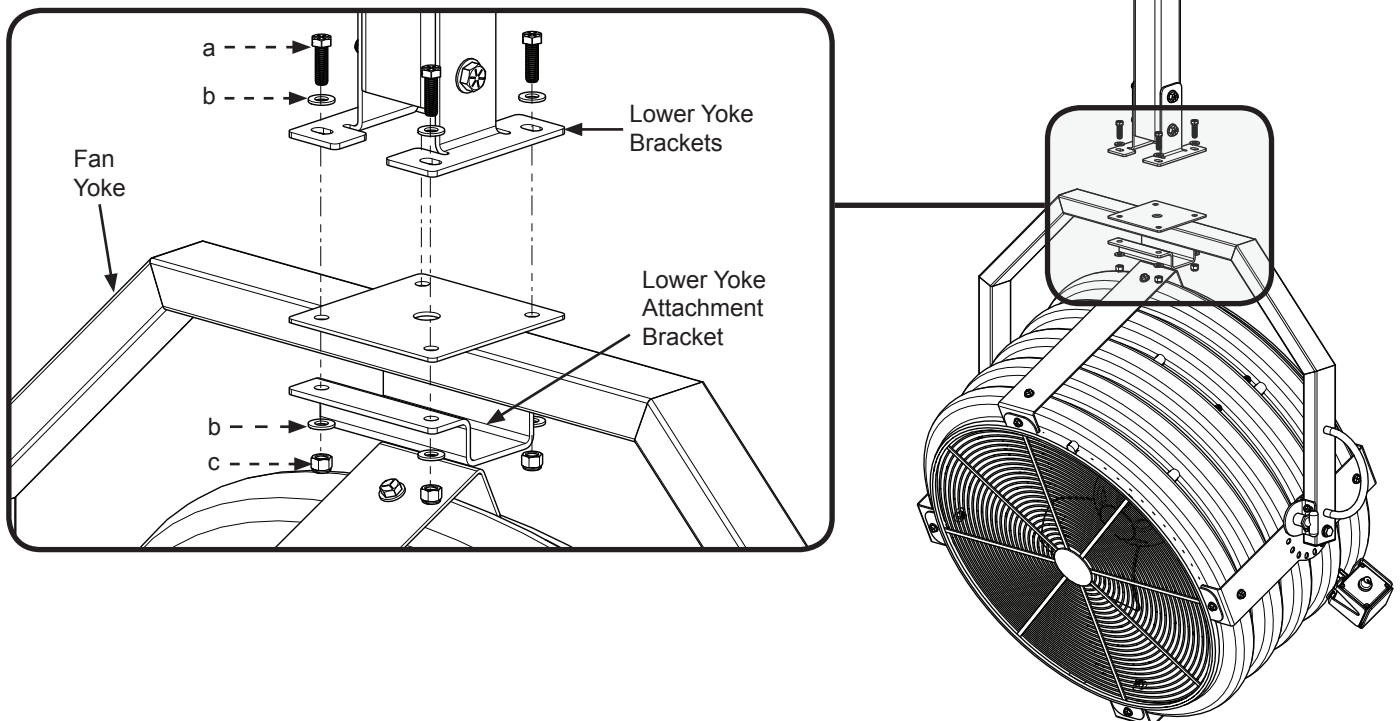
Secure the fan yoke to the lower yoke brackets with the lower yoke attachment bracket and Lower Yoke Hardware as shown below. Fully tighten the bolts to **40 ft·lb (54.2 N·m)**. Allow the fan to hang and balance itself, and then fully tighten the Extension Tube Hardware (securing the lower yoke brackets) to **40 ft·lb (54.2 N·m)**.

Note: Guy wires and Guy Wire Hardware (if used) are not shown in the illustration below. The procedure for attaching the fan to the lower yoke is the same with or without guy wires installed.

Proceed to “Electrical Installation” on p. 38.

Lower Yoke Hardware (BAF-Supplied):

- a. (4) 3/8-16 x 1-1/4” GR 8 Bolt
- b. (8) 3/8” Flat Washer
- c. (4) 3/8-16 Nylock Nut



Mounting Structure: Bar Joists

⚠ WARNING: The fan should not be installed unless the structure on which the fan is to be mounted is of sound construction, undamaged, and capable of supporting the loads of the fan and its method of attachment. Verifying the stability of the mounting structure is the sole responsibility of the customer and/or end user, and Big Ass Fans hereby expressly disclaims any liability arising therefrom, or arising from the use of any materials or hardware other than those supplied by Big Ass Fans or otherwise specified in these installation instructions.

⚠ CAUTION: Unsupported angle iron spans should not exceed 12 ft (3.7 m).

Depending on the angle iron span, the Yoke Mount kit comes with either a small or large upper yoke. Angle irons and angle iron hardware are not included with the Yoke Mount kit.

Never use beam clips when mounting the fan to angle irons! Beam clips are only intended for I-beam installations.

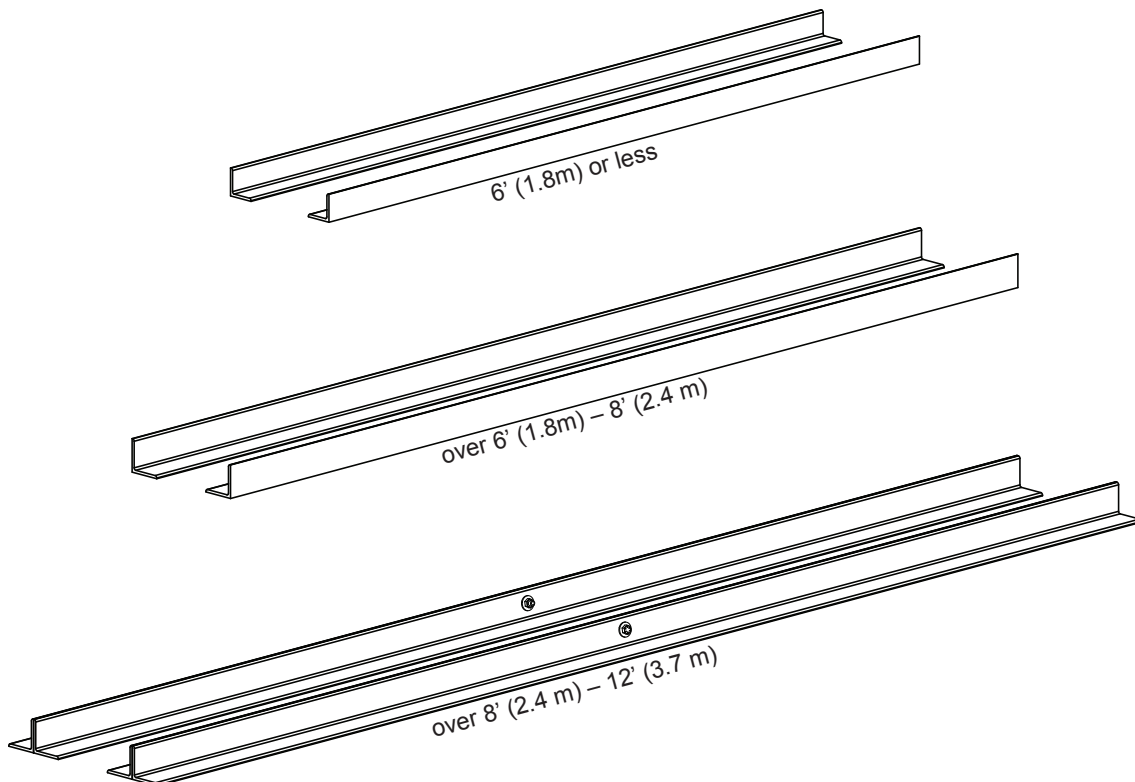
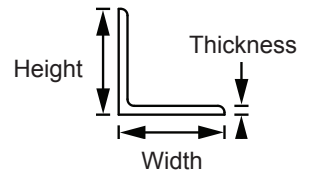
1. Select proper angle irons

Follow the table below when selecting angle irons for fan installation.

Angle iron span (between mounting points)	Minimum angle iron dimensions (W x H x T)	Number of angle irons needed
6 ft (1.8 m) or less	2.5" (6.4 cm) x 2.5" (6.4 cm) x 0.25" (0.6 cm)	2
over 6 ft (1.8 m)-8 ft (2.4 m)	3" (7.6 cm) x 3" (7.6 cm) x 0.25" (0.6 cm)	2
over 8 ft (2.4 m)-12 ft (3.7 m)	3" (7.6 cm) x 3" (7.6 cm) x 0.25" (0.6 cm)	4*

*2 pairs of angle irons. Pairs should be placed back to back and fastened in center (see step 2).

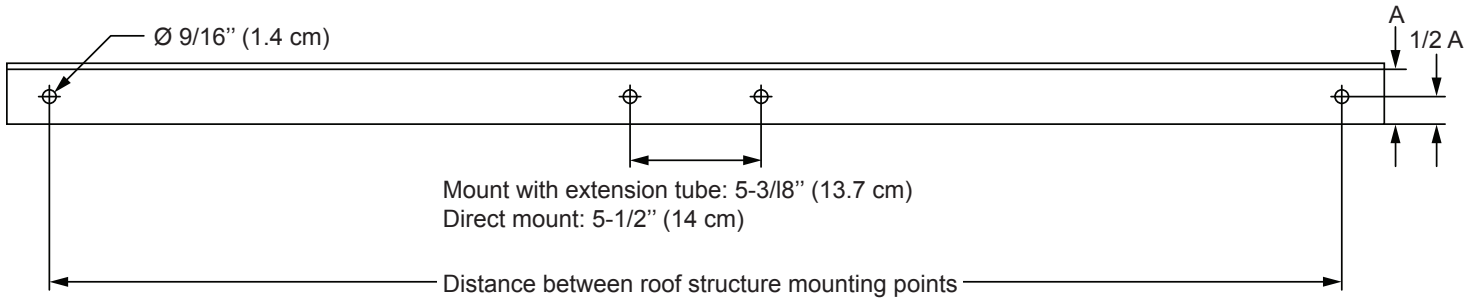
Angle Iron Side View
(see table for dimensions)



2. Pre-drill angle irons

Drill two $\varnothing 9/16"$ (1.4 cm) holes exactly $5-3/8"$ (13.7 cm) apart in the centers of two angle irons. If the motor frame will be mounted directly to the angle irons, drill two $\varnothing 9/16"$ (1.4 cm) holes exactly $5-1/2"$ (14 cm) apart in the centers of two angle irons.

Measure the distance between the mounting points of the roof structure that the angle irons will span. Measure the same distance on the angle irons, and then drill two $\varnothing 9/16"$ (1.4 cm) holes through the ends of the angle irons. If the span is 8 ft (2.4 m) or less, drill holes in the two angle irons. If the span is greater than 8 ft (2.4 m), drill holes in four angle irons.



3. Fasten angle irons (if span is longer than 8 ft)

If the angle iron span is 8 ft (2.4 m) or less, proceed to step 4a on the following page.

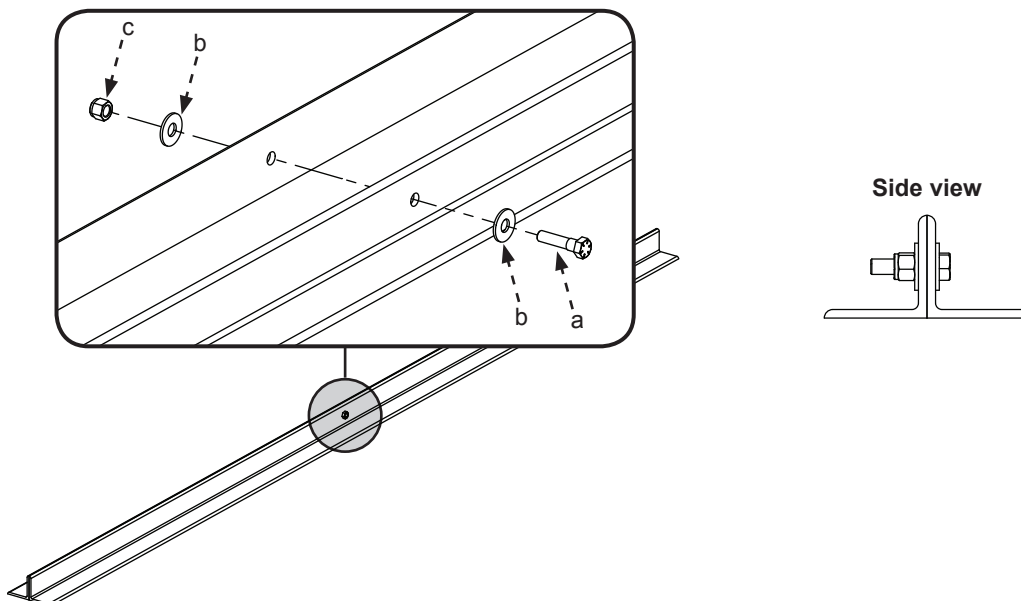
If the angle iron span is greater than 8 ft (2.4 m), it is necessary to use double angle irons (total of four).

Locate the center of the angle iron length. Drill a $\varnothing 9/16"$ (1.4 cm) hole through the centers of the vertical walls of four angle irons. Place two drilled angle irons back-to-back. Fasten the angle irons together with customer-supplied Grade 8 hardware. Align the angle irons to each other and tighten the bolts to **40 ft·lb (54.2 N·m)**.

Repeat this step for the remaining two angle irons. **Proceed to step 4b.**

Customer-Supplied Hardware (Grade 8):

- (2) 1/2-13 Bolt
- (4) 1/2" Flat Washer
- (2) 1/2" Nut



4a. Fasten single angle irons to roof structure mounting points

If installation requires double angle irons (span is greater than 8 ft), proceed to step 4b.

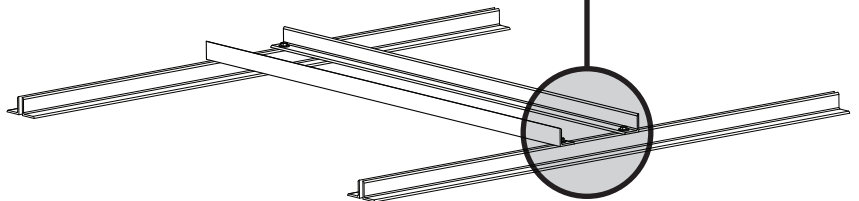
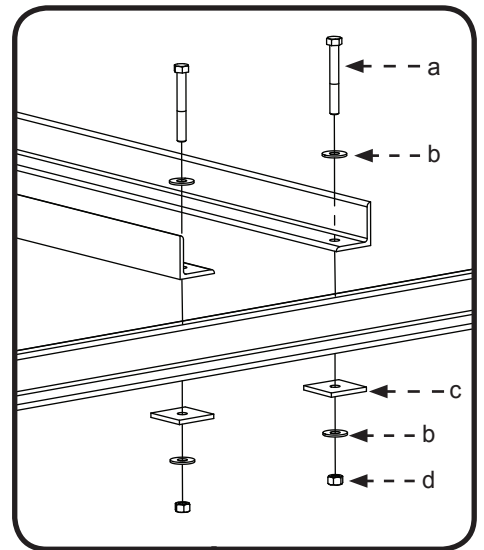
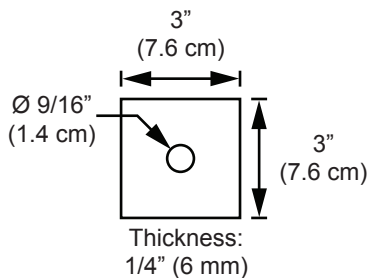
Fasten the angle irons to the roof structure mounting points at each end with customer-supplied Grade 8 hardware. **Do not tighten the angle iron hardware until the fan has been mounted to the angle irons.** Note: Big Ass Fans recommends orienting the angle irons so that the horizontal legs are facing each other. Refer to the illustration.

Customer-Supplied Hardware (Grade 8):

- a. (4) 1/2-13 Bolt
- b. (8) 1/2" Flat Washer
- c. (4) 3" Square Washer (BAF-supplied)
- d. (4) 1/2" Nut

Proceed to step 5.

Square Washer



4b. Fasten double angle irons to roof structure mounting points

If installation requires double angle irons (span is greater than 8 ft), proceed to step 4b.

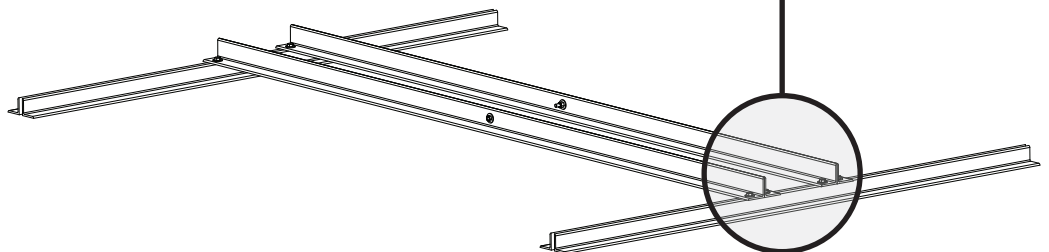
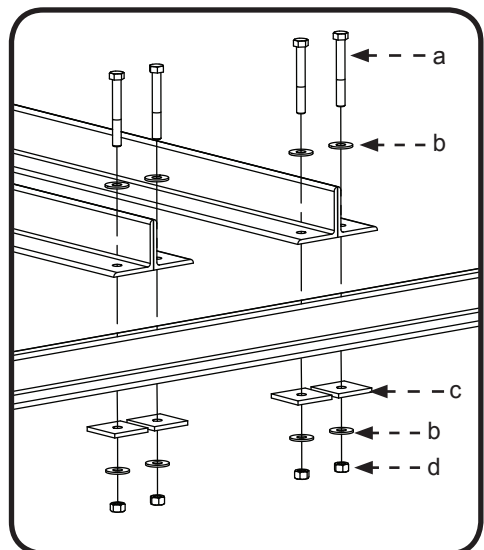
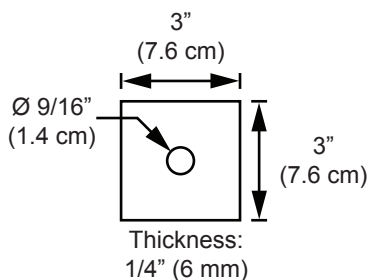
Fasten the angle irons to the roof structure mounting points at each end with customer-supplied Grade 8 hardware. **Do not tighten the angle iron hardware until the fan has been mounted to the angle irons.**

Customer-Supplied Hardware (Grade 8):

- a. (8) 1/2-13 Bolt
- b. (16) 1/2" Flat Washer
- c. (8) 3" Square Washer (BAF-supplied)
- d. (8) 1/2" Nut

Proceed to step 5.

Square Washer



5. Attach upper yoke (to angle irons)

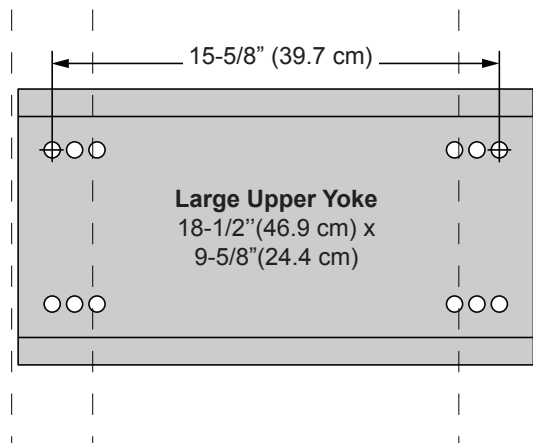
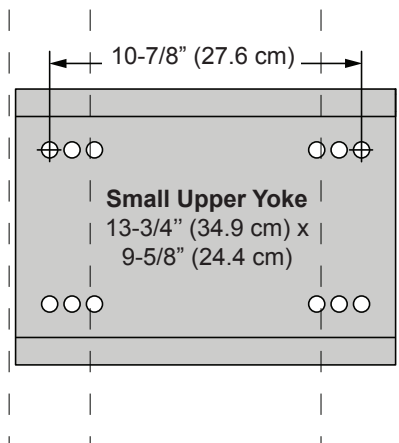
⚠ CAUTION: Beam clips and spacers are never used when mounting the fan to angle irons!

The angle irons should be aligned with the outermost holes in the upper yoke.

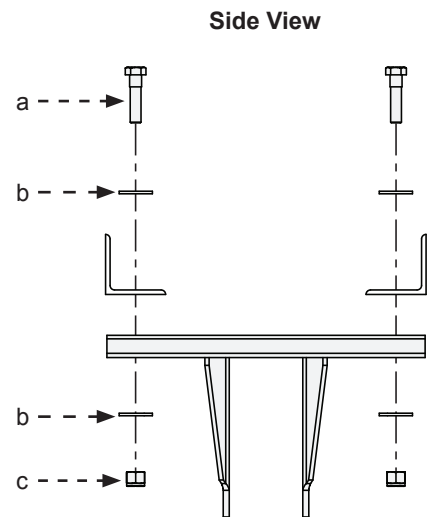
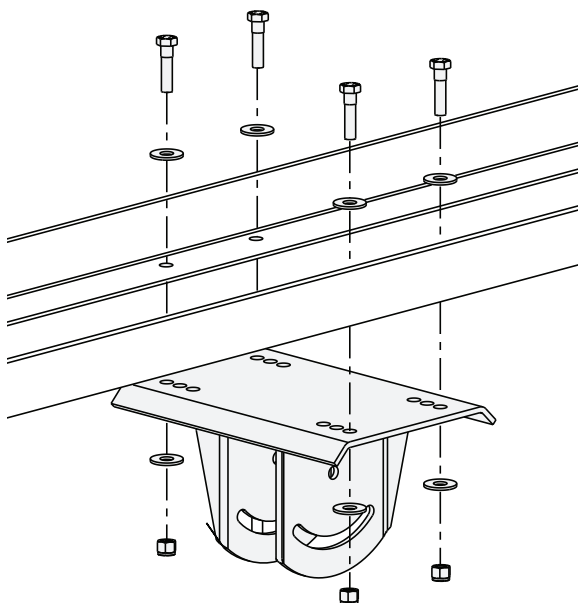
Secure the upper yoke directly to the angle irons with the Upper Yoke Hardware. Consult the diagrams below for distances between the angle irons. Tighten the bolts to **40 ft·lb (54.2 N·m)**.

Upper Yoke Hardware (BAF-supplied):

- (4) 1/2-13 x 2" GR 8 Bolt
- (8) 1/2" Flat Washer
- (4) 1/2-13 Nylock Nut



Note: Dashed lines represent angle irons.

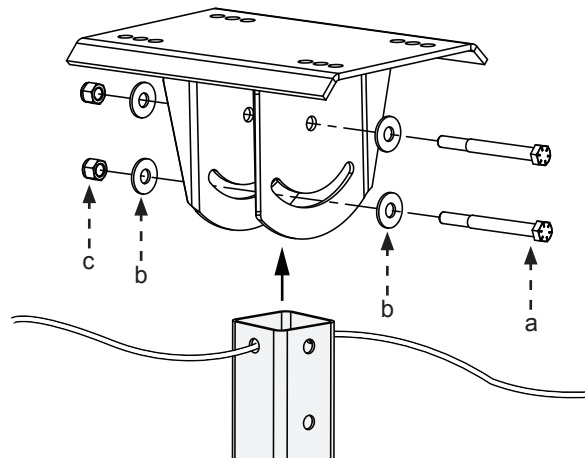


6. Attach extension tube (to upper yoke)

Fasten the extension tube to the upper yoke with the Extension Tube Hardware as shown. Before tightening the bolts, allow the extension tube to hang freely and balance itself. Tighten the bolts to **40 ft·lb (54.2 N·m)**.

Extension Tube Hardware (BAF-Supplied):

- a. (2) 1/2-13 x 4-1/2" Bolt
- b. (4) 1/2" Flat Washer
- c. (2) 1/2-13 Nylock Nut

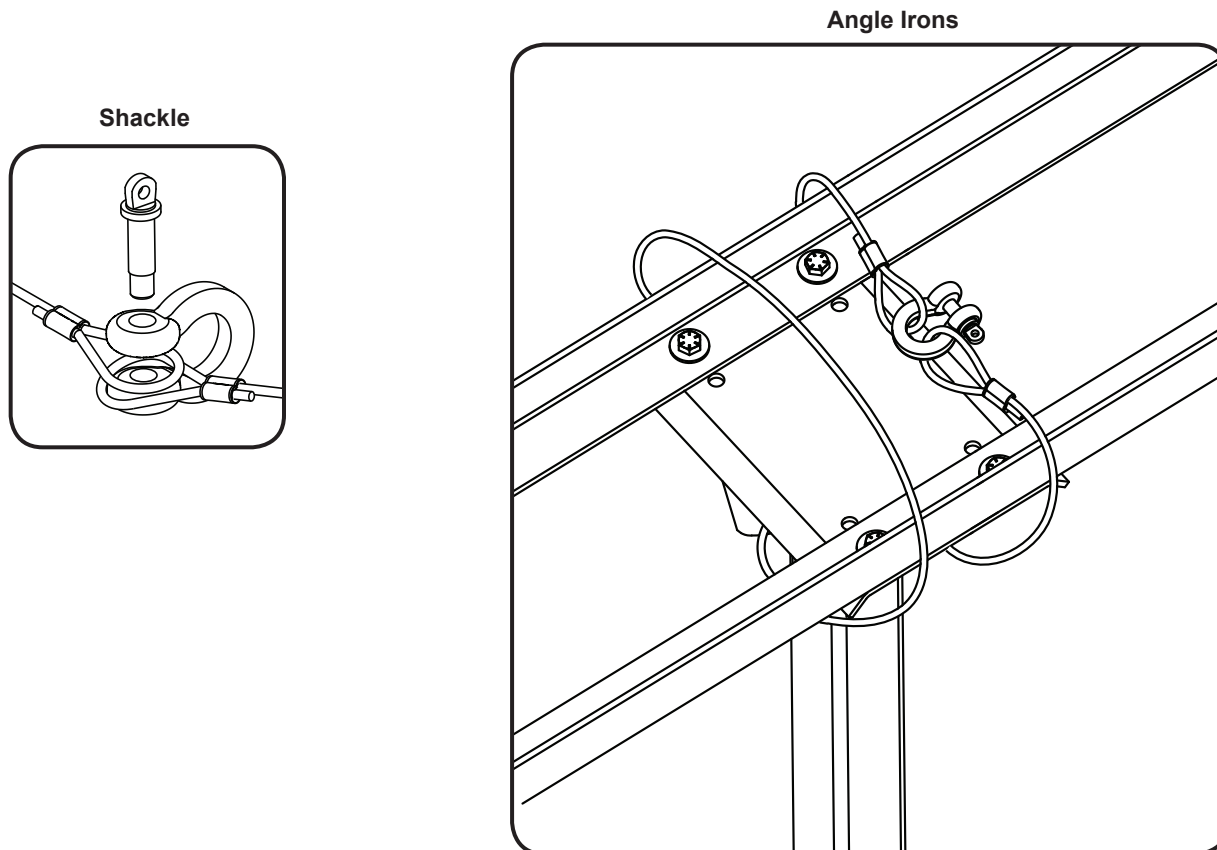


7. Secure safety cable

⚠ WARNING: The safety cable is a crucial part of the fan and must be installed correctly. If you have any questions, please contact Big Ass Fans Customer Service.

The safety cable is already attached to the extension tube.

Secure the safety cable by wrapping it around the angle irons and connecting the looped ends with the shackle as shown. The cable must be drawn tightly around the angle irons, leaving as little slack as possible. The shackle should be on the topside of the angle irons if possible. Securely tighten the shackle.



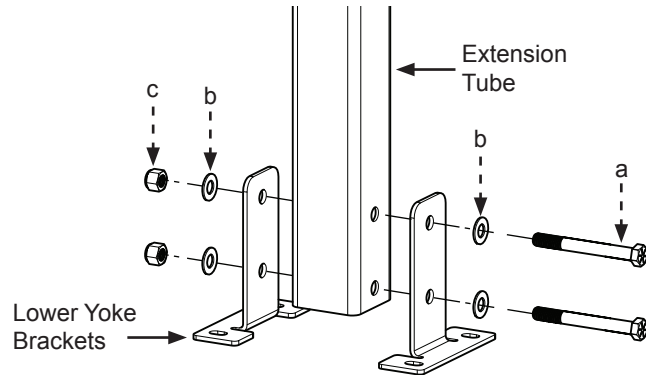
8a. Attach lower yoke brackets (to extension tube, 3 ft or shorter)

Secure the lower yoke brackets to the lower portion of the extension tube with the remaining Extension Tube Hardware. Tighten the bolts until snug, but do not fully tighten.

Proceed to step 12.

Extension Tube Hardware (BAF-Supplied):

- a. (2) 1/2-13 x 4-1/2" GR 8 Bolt
- b. (4) 1/2" Flat Washer
- c. (2) 1/2-13 Nylock Nut

**8b. Attach lower yoke brackets (to extension tube, 4 ft or longer)**

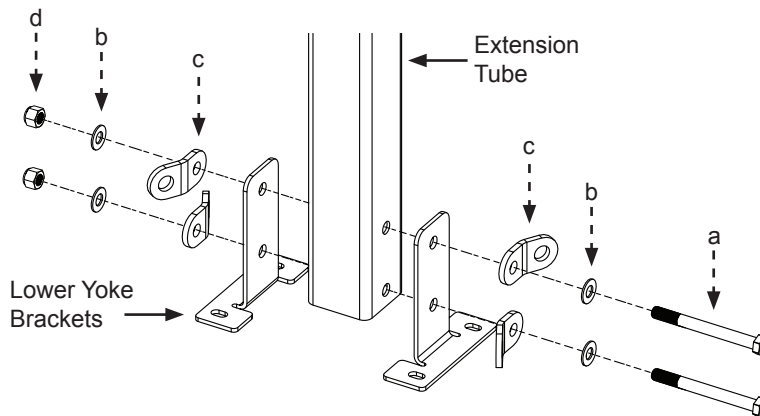
Use the 5" bolts that are packed with the guy wire clips in place of the 4-1/2" bolts included with the fan hardware.

Secure the lower yoke brackets to the lower portion of the extension tube with the remaining Extension Tube Hardware, the 5" bolts, and the guy wire clips. Orient the guy wire clips as shown below. Tighten the bolts until snug, but do not fully tighten.

Proceed to step 9.

Extension Tube Hardware (BAF-Supplied):

- a. (2) 1/2-13 x 5" GR 8 Bolt
- b. (4) 1/2" Flat Washer
- c. (4) Guy Wire Clip
- d. (2) 1/2-13 Nylock Nut



9. Attach beam clamp

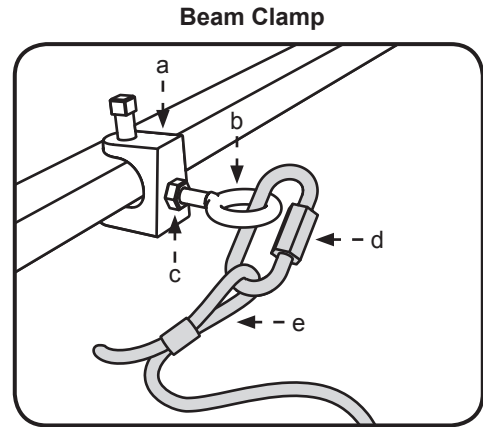
Attach the beam clamp to the mounting structure. *The guy wire should be at a 30°–45° angle from the roof to the extension tube. Place the beam clamp accordingly. Fully tighten the set screw to secure the clamp.*

Fasten the small eyebolt and nut onto the beam clamp. The nut will be on the outside of the beam clamp.

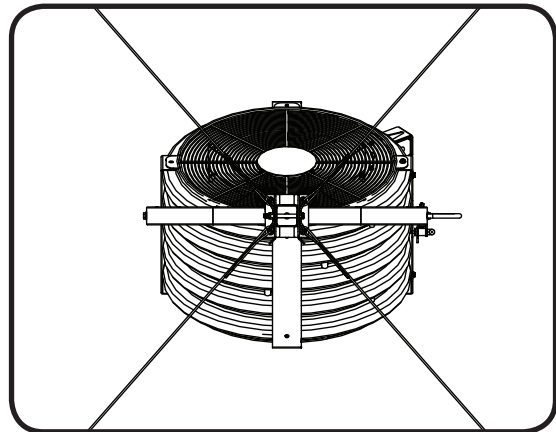
Loop the crimped end of the guy wire into the locking carabiner and secure to the eyebolt as shown. Securely tighten the carabiner.

Guy Wire Hardware (BAF-Supplied):

- a. (4) 1/4" Beam Clamp
- b. (4) 1/4-20 x 1" Eyebolt
- c. (4) 1/4-20 Hex Nut
- d. (4) Locking Carabiner
- e. (4) Guy Wire



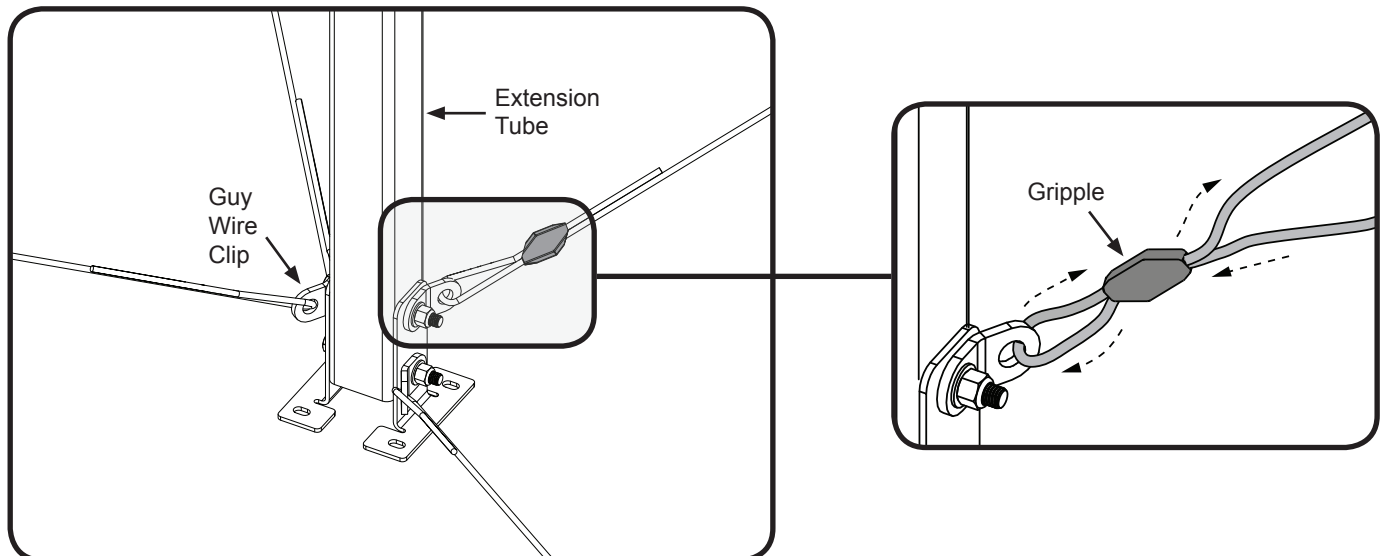
Top View



10. Route guy wire through Gripple®

Route the guy wire through the Gripple, the guy wire clip at the bottom of the extension tube, and back through the Gripple as shown. Do not tighten the Gripple until the remaining guy wires have been installed.

Note: To back the guy wire out of the Gripple, insert a 1/16 (1.5 mm) Allen wrench into the small hole on the Gripple.



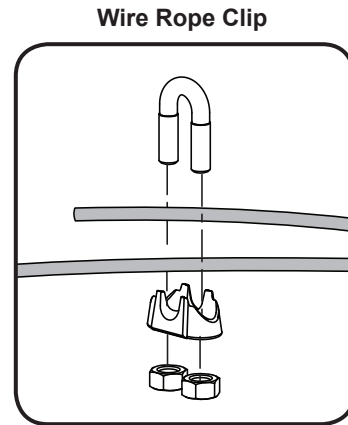
11. Install remaining guy wires

⚠ CAUTION: Over-tightening the guy wires could throw the fan off balance.

Repeat steps 9–10 to install the three remaining guy wires.

Evenly cinch all four guy wires into place using the Gripples®. The guy wires should be taut and evenly spaced around the extension tube.

Once all of the guy wires are taut, secure their loose ends with the wire rope clips and torque to **4.5 ft·lb (6.1 N·m)**. Ensure all electrical cords/cables are unobstructed by the guy wire system.



12. Attach fan (to lower yoke)

⚠ CAUTION: Ensure the position locking pin is secured prior to attaching the fan to the lower yoke attachment bracket!

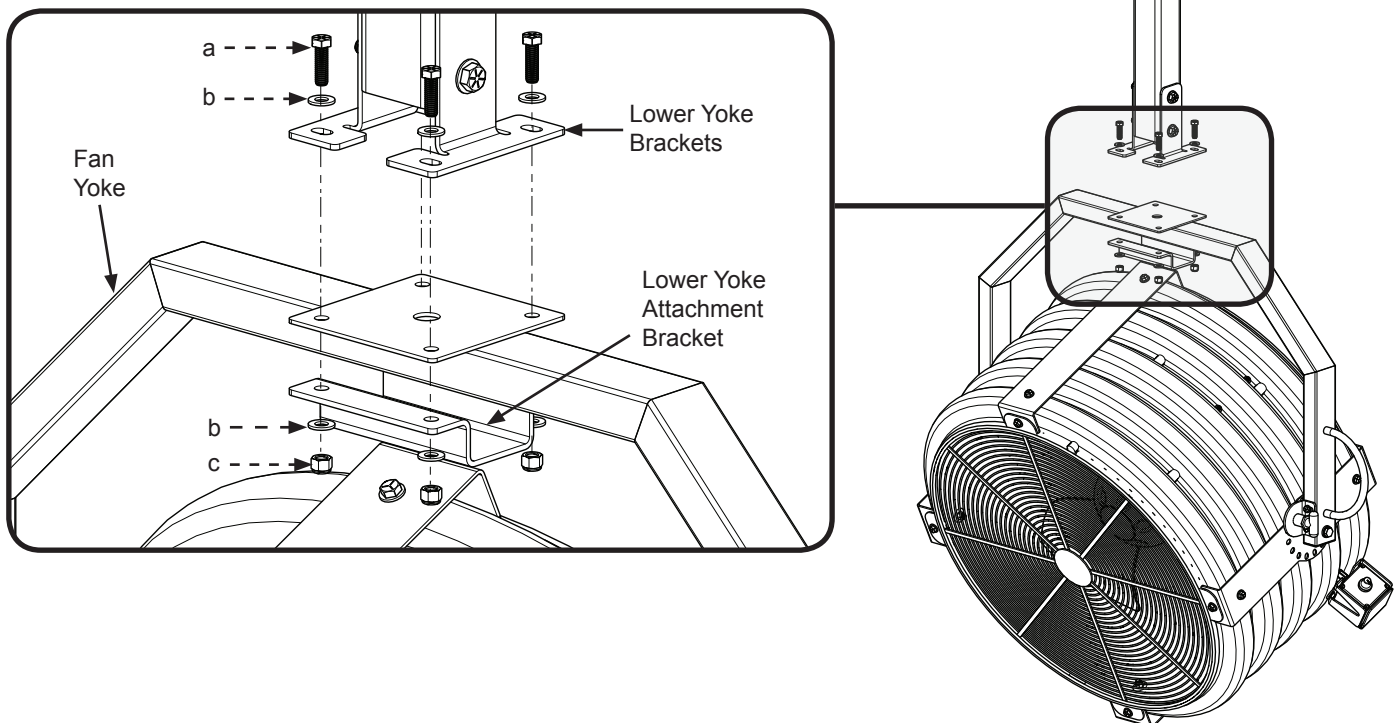
Secure the fan yoke to the lower yoke brackets with the lower yoke attachment bracket and Lower Yoke Hardware as shown below. Fully tighten the bolts to **40 ft·lb (54.2 N·m)**. Allow the fan to hang and balance itself, and then fully tighten the Extension Tube Hardware (securing the lower yoke brackets) to **40 ft·lb (54.2 N·m)**.

Note: Guy wires and Guy Wire Hardware (if used) are not shown in the illustration below. The procedure for attaching the fan to the lower yoke is the same with or without guy wires installed.

Proceed to “Electrical Installation” on p. 38.

Lower Yoke Hardware (BAF-Supplied):

- a. (4) 3/8-16 x 1-1/4” GR 8 Bolt
- b. (8) 3/8” Flat Washer
- c. (4) 3/8-16 Nylock Nut



Mounting Structure: Wood or Metal Superstructure 33

- ⚠ **WARNING:** The fan should not be installed unless the structure on which the fan is to be mounted is of sound construction, undamaged, and capable of supporting the loads of the fan and its method of attachment. Verifying the stability of the mounting structure is the sole responsibility of the customer and/or end user, and Big Ass Fans hereby expressly disclaims any liability arising therefrom, or arising from the use of any materials or hardware other than those supplied by Big Ass Fans or otherwise specified in these installation instructions.
- ⚠ **CAUTION:** It is your responsibility to comply with all local and national codes and regulations regarding mounting procedures and installation height!

Yellow Jacket® can be hung from the existing building structure using a chain or cable of rated strength to support the weight of the fan (approximately 105 lbs [47.6 kg]). The following instructions are merely a recommendation for hanging the Yellow Jacket from the building structure. Consult a structural engineer to determine the best method for mounting your fan. If mounting the fan to a concrete ceiling, see “Mounting Structure: Concrete.”

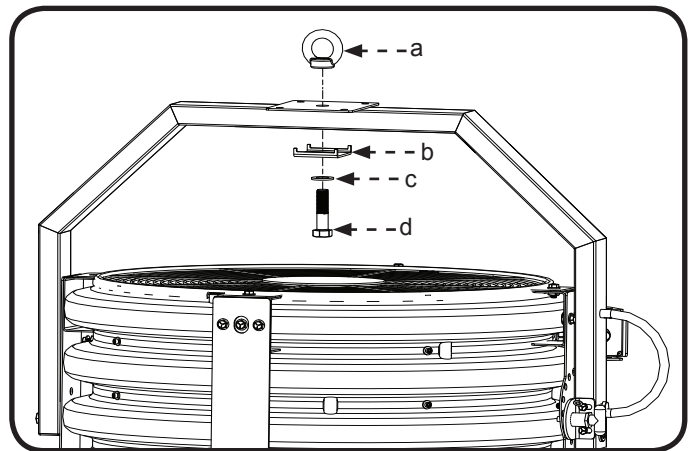
1. Attach chain or cable

Special consideration must be given to any external air influences such as HVAC discharge units, exhaust fans, open doors, other fans, etc.

Install the eyenut on the fan yoke with the Yoke Washer Assembly Kit as shown. Secure the chain or cable to the eyenut, and then secure the other end to the building structure. The chain or cable must be capable of supporting the weight of the fan (105 lbs [47.6 kg]).

Yoke Washer Assembly Kit (BAF-Supplied):

- a. (1) 3/4" Eyenut
- b. (1) Inverted Yoke Washer
- c. (1) 3/4" Washer
- d. (1) 3/4-10 x 3" Bolt

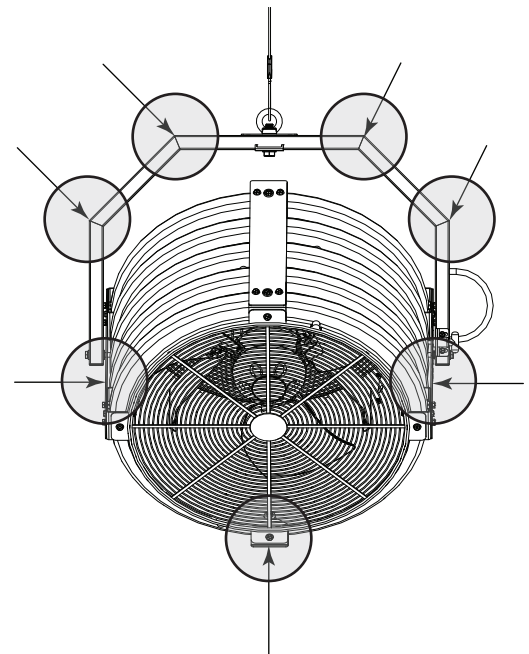


2. Secure guy wires

At least two guy wires must be used to prevent the fan from rotating or moving during operation!

Secure the fan's position by attaching guy wires to the fan yoke. The diagram on the right shows typical guy wire attachment points. *Note: Guy wires are only included if purchased.*

Proceed to “Electrical Installation” on p. 38.



34 Mounting Structure: Concrete

- ⚠ **WARNING:** The fan should not be installed unless the structure on which the fan is to be mounted is of sound construction, undamaged, and capable of supporting the loads of the fan and its method of attachment. Verifying the stability of the mounting structure is the sole responsibility of the customer and/or end user, and Big Ass Fans hereby expressly disclaims any liability arising therefrom, or arising from the use of any materials or hardware other than those supplied by Big Ass Fans or otherwise specified in these installation instructions.
- ⚠ **CAUTION:** It is your responsibility to comply with all local and national codes and regulations regarding mounting procedures and installation height!

The following instructions are merely a recommendation for hanging the Yellow Jacket® from the building structure. You must consult a structural engineer to determine the best method for mounting your fan. Big Ass Fans is not responsible for installing the fan in concrete or to a flat surface. Consult a structural engineer to determine if the flat surface is suitable for mounting the fan.

Yellow Jacket can be hung from a concrete ceiling using the Yoke Washer Assembly Kit.

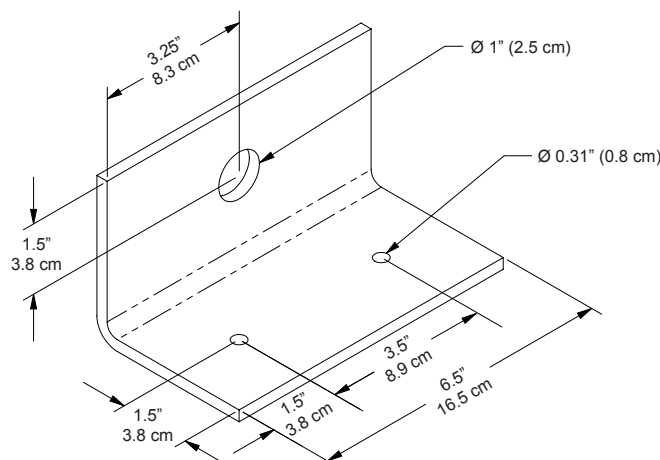
Adhere to the below recommendations and guidelines when mounting Yellow Jacket to concrete.

- Big Ass Fans does not supply angle irons or anchor bolts. Select mounting hardware that is of sufficient strength to support the weight of the fan. Big Ass Fans recommends using 1/4" Dia. Hilti Kwik Bolt 3 Mechanical Anchors with a minimum embedment depth of 1-1/8".
- Avoid placing the anchors near concrete edges. Refer to the anchor manufacturer's specifications for strength reduction guidelines near edges.
- Ensure anchor spacing satisfies the anchor manufacturer's specifications. If there are existing anchors in close proximity to the new anchors, ensure that the spacing requirements of the existing anchors are satisfied.
- If anchoring the fan to reinforced concrete beams, verify the location and depth of the reinforcing steel by using a non-destructive testing method, such as using the HILTI Ferrodetecter, to avoid damaging the steel.
- If anchoring the fan to a concrete slab through fluted metal decking, check the anchor manufacturer's specifications for anchor placement limitations. Flute spacing may require a longer angle iron bracket to span across the flute spacing. Do not connect all the anchors to one flute. A minimum of two flutes must be used.
- Verify that the concrete is at least the minimum thickness required by the anchor manufacturer.
- Avoid installing the fan in locations with the following characteristics: Exposed reinforcing steel; spalling or chipping; cracks; or discoloration of concrete (i.e., rust stains) or efflorescence. Also avoid locations that have a hollow sounding response if tapped lightly with a hammer.

1. Prepare angle iron brackets

All hardware, including angle irons, is customer-supplied. Select mounting hardware that is of sufficient strength to support the weight of the fan. Big Ass Fans recommends using (4) 1/4" Dia. Hilti Kwik Bolt 3 Mechanical Anchor with a minimum embedment depth of 1-1/8" to secure the angle iron to the concrete; however, you must consult a structural engineer to determine the best method of attachment.

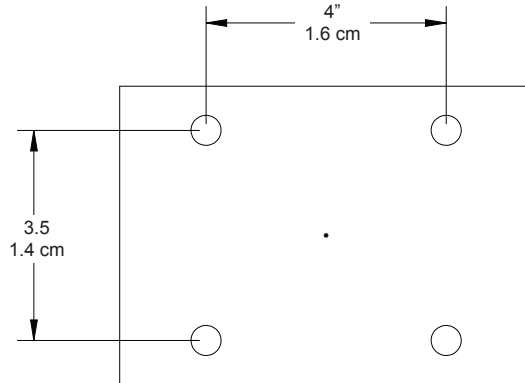
Cut two 3.5" (89 mm) x 3.5" (89 mm) x 0.25" (6.4 mm) angle iron pieces to 6.5" (165 mm) in length. In the center of one flange of the bracket, drill a Ø1" (25.4 mm) hole. On the opposite flange, drill two Ø0.31" (7.8 mm) holes exactly 1.5" (38 mm) from the edges. Refer to the illustration below for dimensions. Repeat this on the other angle iron bracket.



2. Prepare concrete structure

⚠ CAUTION: Before drilling, ensure the concrete structure adheres to the guidelines listed on the previous page! Consult a structural engineer to determine the best method for mounting your fan.

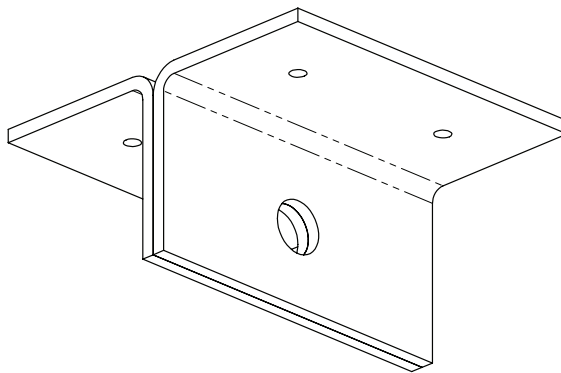
Drill four mounting holes in the concrete structure according to the anchor manufacturer's specifications. Ensure the brackets are aligned before drilling. Refer to the illustration below for mounting hole distances.



3. Attach angle iron brackets (to concrete)

Big Ass Fans does not supply anchor bolts. Select mounting hardware that is of sufficient strength to support the weight of the fan. Big Ass Fans recommends using (4) 1/4" Dia. Hilti Kwik Bolt 3 Mechanical Anchors with a minimum embedment depth of 1-1/8"; however, you must consult a structural engineer to determine the best method of attachment.

Align the angle iron brackets so that the center holes are concentric. Attach the angle iron brackets to the structure with the recommended anchors or anchors of equal strength.



4. Attach chain or cable

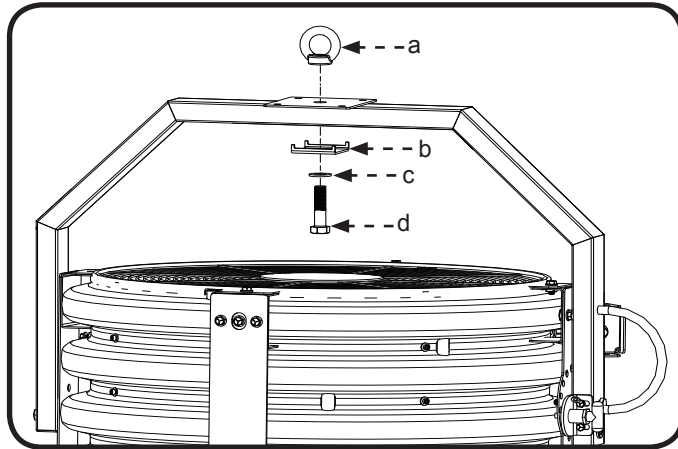
⚠ Ensure the position locking pin is secured prior to attaching the yoke to the chain or cable.

Special consideration must be given to external air influences such as HVAC discharge units, exhaust fans, open doors, other fans, etc.

Install the eyenut on the fan yoke with the Yoke Washer Assembly Kit. Secure the chain or cable to the eyenut, and then secure the other end to the angle iron brackets. The chain or cable must be capable of supporting the weight of the fan (105 lbs [47.6 kg]).

Yoke Washer Assembly Kit (BAF-Supplied):

- a. (1) 3/4" Eyenut
- b. (1) Inverted Yoke Washer
- c. (1) 3/4" Washer
- d. (1) 3/4-10 x 3" Bolt

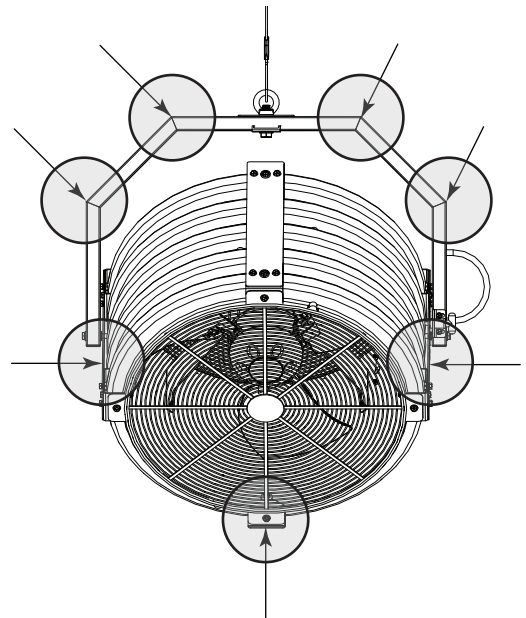
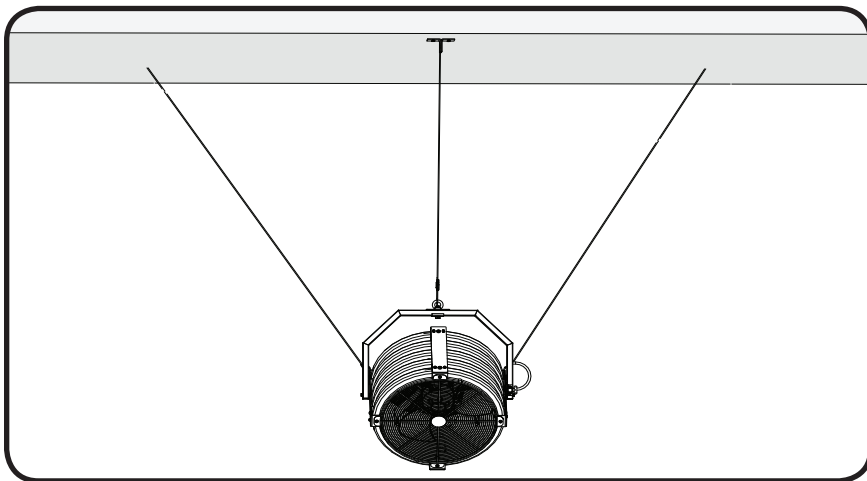


5. Secure guy wires

At least two guy wires must be used to prevent the fan from rotating or moving during operation!

Big Ass Fans does not supply attachment hardware. Select hardware that is of sufficient strength to support the weight of the fan. Big Ass Fans recommends using 1/4" Dia. Hilti Kwik Bolt 3 Mechanical Anchors with a minimum embedment depth of 1-1/8" and an eyenut for each guy wire.

Using the recommended hardware, secure the fan's position by attaching guy wires to the fan yoke as shown. The diagram on the right shows typical guy wire attachment points. *Note: Guy wires are only included if purchased.*



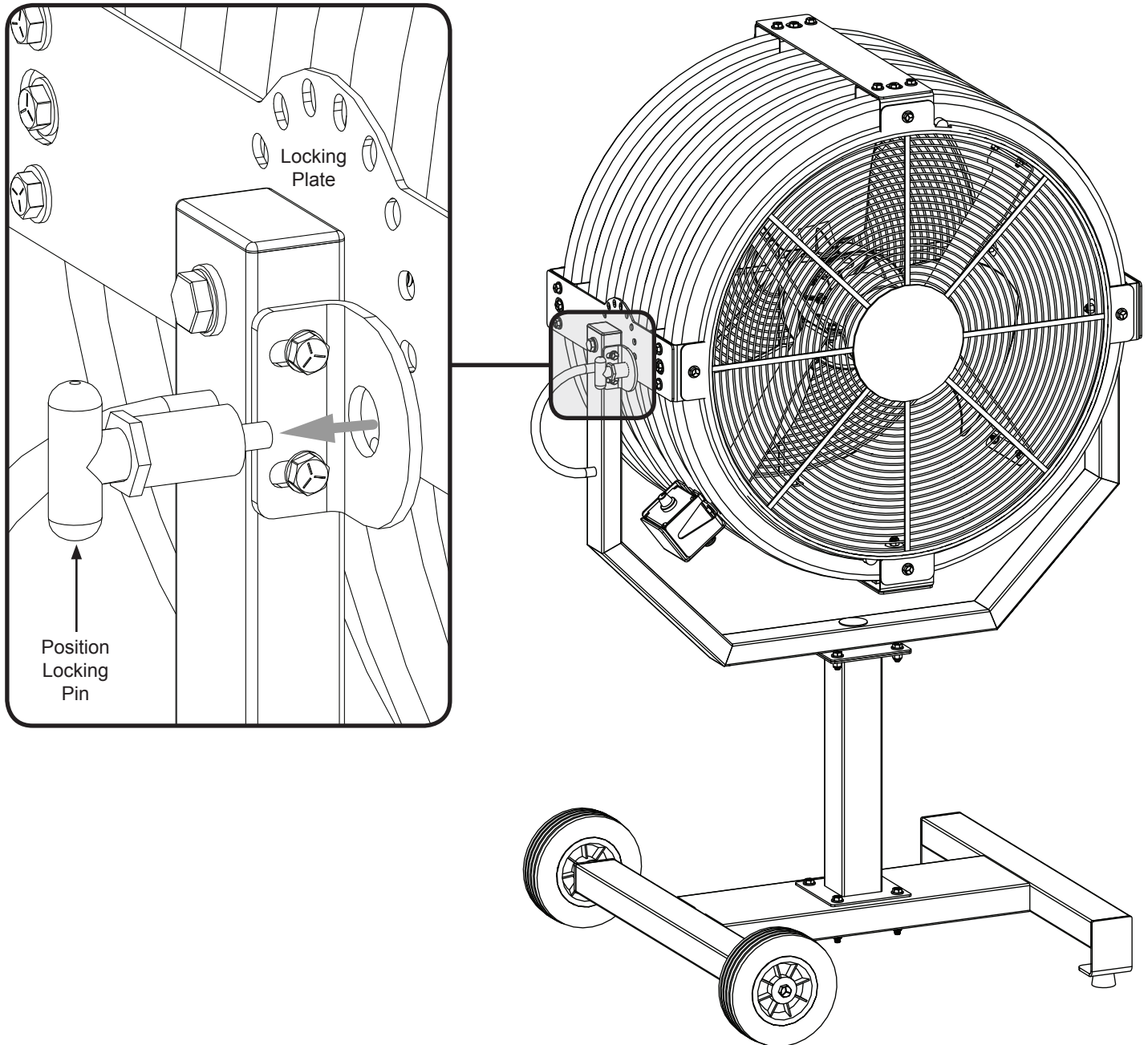
Positioning the Fan

Setting the fan's position

⚠ **CAUTION:** When setting the position, be careful not to pinch hands or fingers between the fan yoke and housing!

Yellow Jacket® can effectively control the direction of airflow by setting the position of the fan cage and housing.

To adjust the position of the fan, pull the position locking pin from the locking plate, tilt the fan to the desired position, and then reinsert the pin into the appropriate notch on the locking plate. *Note: The position locking pin can be secured in the disengaged position by rotating it 90° when retracted; however, do not operate the fan with the position locking pin disengaged.*



Note: Fan setup may differ from the illustration.

Electrical Installation



WARNING: To reduce the risk of electric shock, wiring should be performed by a qualified electrician! Incorrect assembly can cause electric shock or damage the motor and the controller! Hazard of electrical shock!

WARNING: The installation and usage of a Big Ass Fan must be in accordance with the requirements specified in this installation manual and with any additional requirements set forth by the national electric code (NEC) and all local codes. Code compliance is ultimately YOUR responsibility! Failure to comply with these codes could result in personal injury or property damage.

WARNING: Exercise caution and common sense when powering the fan. Do not connect the fan to a damaged or hazardous power source. Do not attempt to resolve electrical malfunctions or failures on your own. Contact Big Ass Fans if you have any questions regarding the electrical installation of this fan.

WARNING: Do not operate this fan from an ungrounded receptacle or use any device on the power cord that can defeat proper earth ground such as a plug adapter.

CAUTION: Do not operate the fan with a damaged power cord or plug. Return fan to authorized service facility for examination or repair.

CAUTION: Do not run power cord under carpeting. Do not cover cord with throw rugs, runners, or similar coverings. Do not route cord under furniture or appliances. Place cord away from traffic area and where it will not be tripped over.

ATTENTION: If installing the fan in the United States, the fan must be installed per the following National Fire Protection Association (NFPA) guidelines:

- The fan must be centered approximately between four adjacent sprinklers.
- The vertical distance from the fan to the sprinkler deflector must be at least 3 ft (91.4 cm).

Power requirements

Motor hp (kW)	Minimum required supply circuit size	Max current at full RPM	Actual current at full RPM
0.5 (0.37)	15 A @ 100–125 V, 1 Φ	8.5 A	6.5 A

Fan Speed Control Operation

⚠ CAUTION: The fan may begin to operate upon connection to power source. Do not plug in the fan until it is fully assembled and in an acceptable upright position.

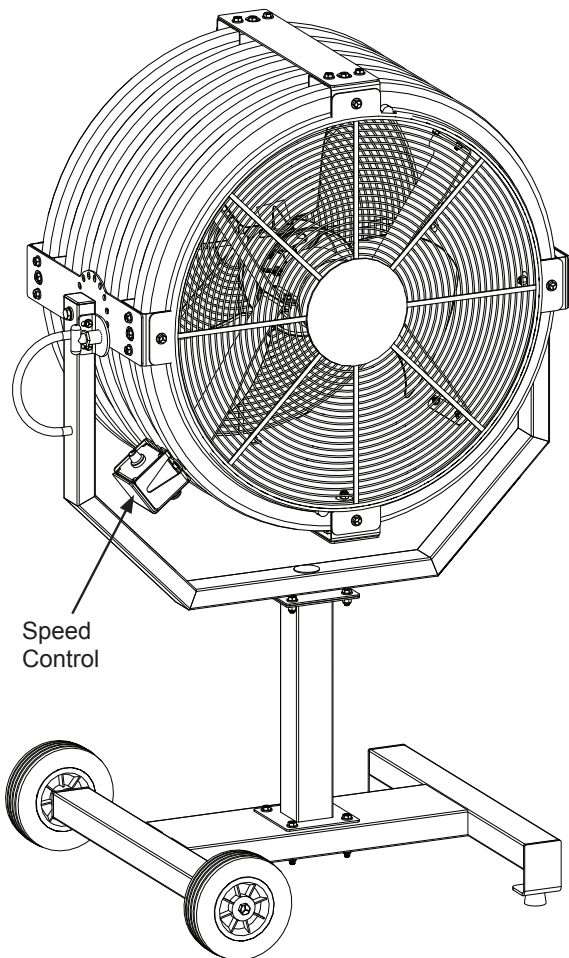
Starting, stopping, and speed control

Ensure the position locking pin is secure in the locking plate prior to fan operation.

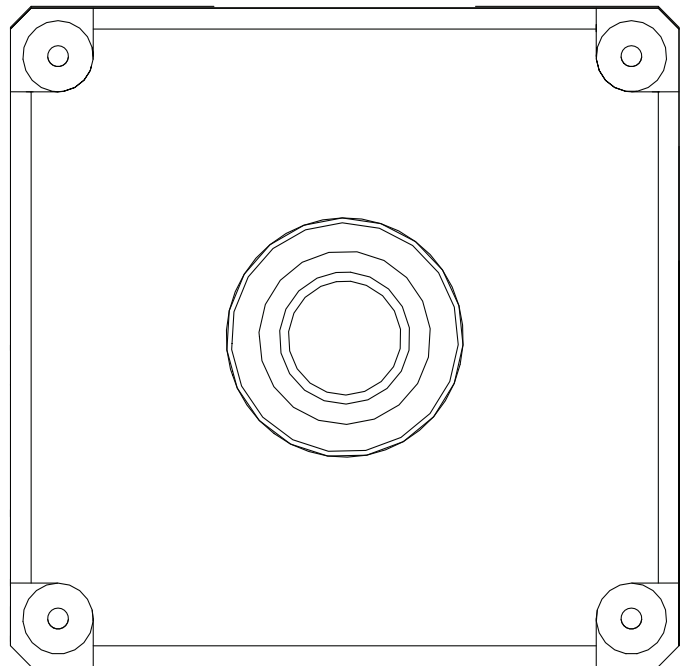
The speed control knob is located on the side of the fan, and turns the fan on/off and controls fan speed. *Note: If you purchased the remotely mounted speed control, see Remotely Mounted Speed Control on the following page for installation instructions before operating the fan. Both the fan-mounted speed control and remotely mounted speed control are operated the same.*

To start the fan, turn the speed control knob to position 1. **To stop the fan,** turn the knob to the OFF position. *Note: There is a 10 second delay after starting or stopping the fan.*

To adjust fan speed, rotate the knob to the desired speed setting (1 to 10).



Speed Control



Note: Fan setup may differ from the illustration.

40 Remotely Mounted Speed Control

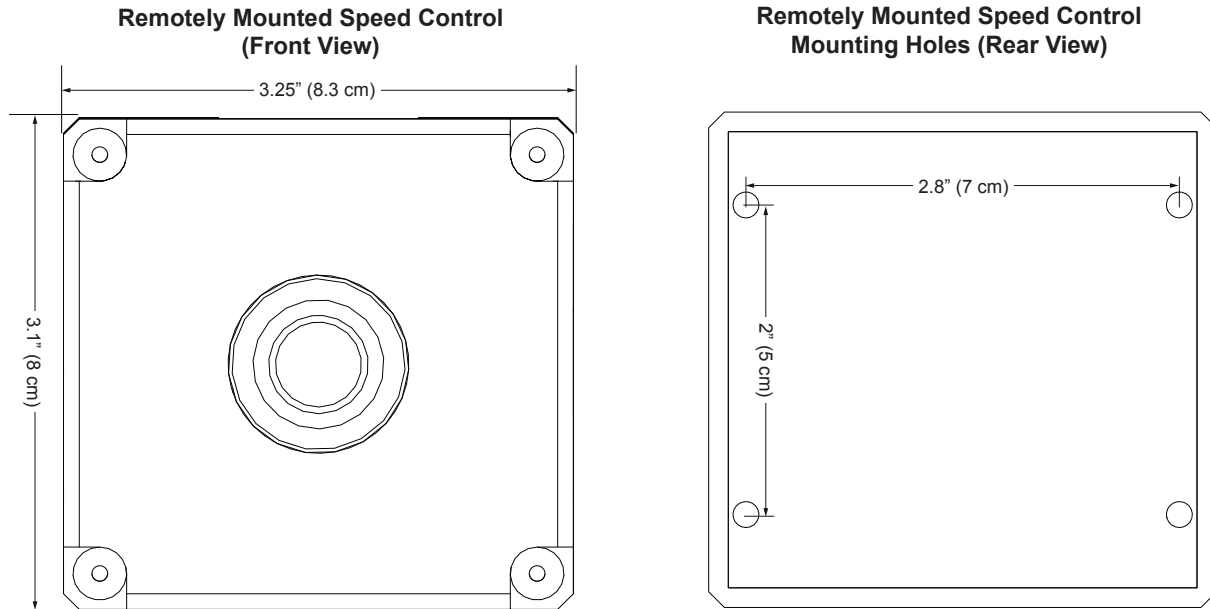
⚠ WARNING: Disconnect power to the fan prior to wiring the remotely mounted speed control.

The remotely mounted speed control is an optional accessory used to operate a fan that is mounted in an inaccessible location. Fifteen (15) feet of cable is provided with the remotely mounted speed control; however, the control can be mounted up to 50 ft from the location of the fan using customer-supplied cable.

For operating instructions, see *Fan Speed Control Operation* on the previous page.

Remotely mounted speed control dimensions

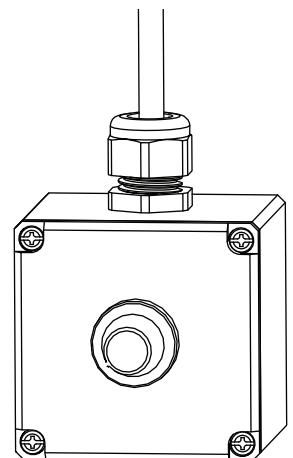
Note: Drawings below are not to scale.



Installing the remotely mounted speed control

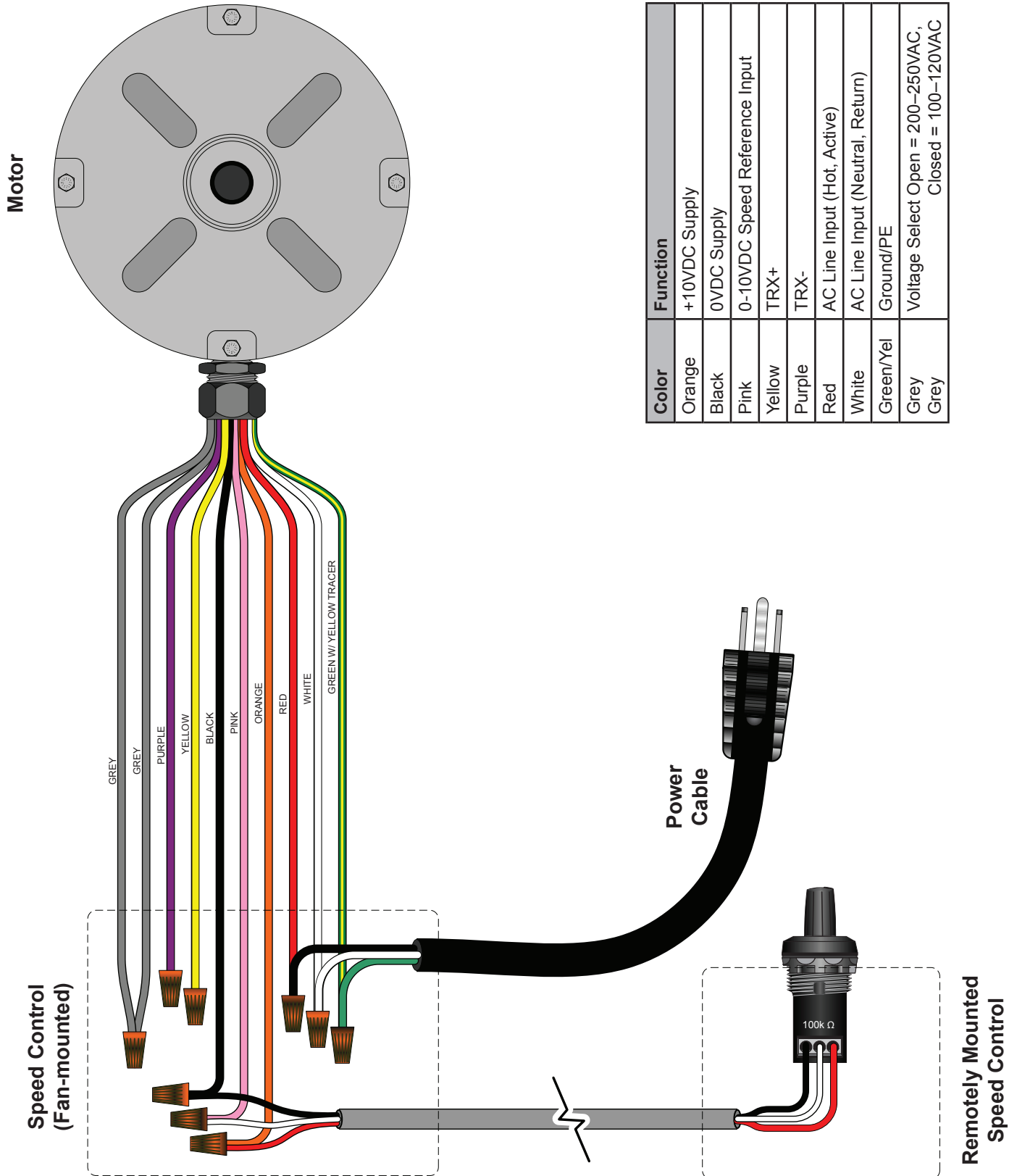
Ensure power is disconnected from the fan prior to installing the remotely mounted speed control. Note: For convenience, wiring should be performed when mounting the fan.

1. Mount the remotely mounted speed control on a wall or column using the four (4) provided mounting screws. Select a mounting location that is 50 ft or less from the fan and from which the fan is visible. The mounting location should also be readily accessible, free from vibration, and an adequate distance from foreign objects or moving equipment. Remove the four (4) screws on the front, and then remove the cover. *Save the cover, which will be switched with the cover on the remotely mounted speed control.*
2. On the fan speed control (located on fan), remove the four (4) screws retaining the cover (with knob). *Set aside the cover (with knob), which will be attached to the remotely mounted speed control.*
3. Remove the rubber grommet from the back of the fan speed control box (located on the fan) to expose an empty knockout. Wire the loose end of the provided cable (attached to remotely mounted fan control) to the fan-mounted fan speed control through the empty knockout. Refer to the appropriate remotely mounted speed control wiring diagram on page 41 or page 42.
4. Replace the cover with the flat cover previously attached to the remotely mounted speed control. Test fan operation. See *Fan Speed Control Operation* on the previous page for operating instructions.



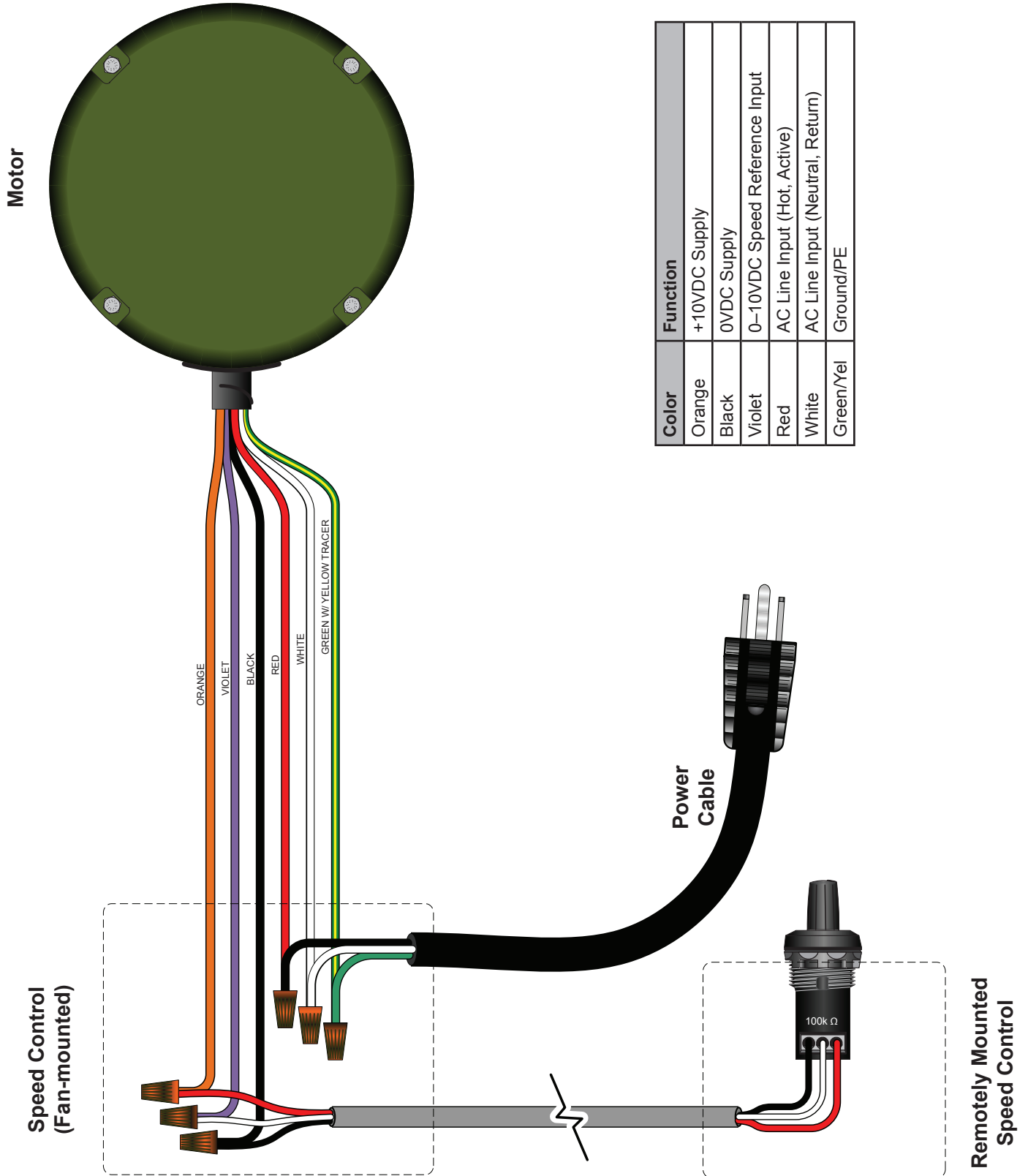
Remotely mounted speed control wiring: 10 lead SNTech motors

If the motor has ten (10) leads, it is an SNTech motor. If the motor has six (6) leads, it is a Genteq® motor. See the following page for 6 lead Genteq wiring instructions.



Remotely mounted speed control wiring: 6 lead Genteq® motors

If the motor has six (6) leads, it is a Genteq® motor. If the motor has ten (10) leads, it is an SNTech motor. See the previous page for 10 lead SNTech wiring instructions.



User Servicing

Please take a few moments each year to perform the following preventive maintenance inspection on your fan to ensure its safe and efficient operation. If you have any questions, please contact Customer Service.

- ⚠ **WARNING: Risk of fire, electric shock, or injury to persons during cleaning and user maintenance! Disconnect the appliance from the power supply before servicing.**
- ⚠ **WARNING: When service or replacement of a component in the fan requires the removal or disconnection of a safety device, the safety device is to be reinstalled or remounted as previously installed.**

For questions about your product or customer service inquiries, please call our toll free number (877-BIG-FANS) or visit www.bigassfans.com/service.

Annual preventive maintenance

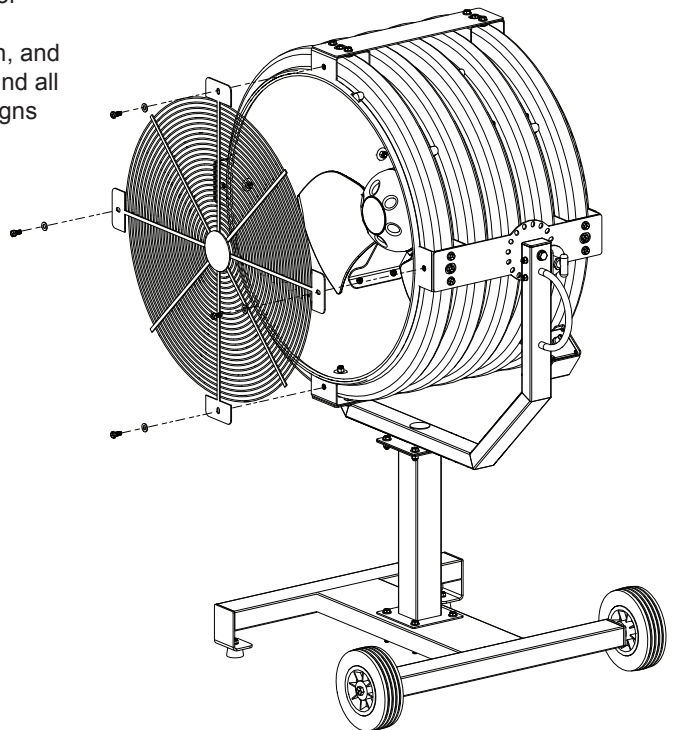
The following are to be performed annually (see “Annual Maintenance Checklist”):

- Check the fan bolts and nuts to make sure they are tight and show no wear.
- Verify all bolts on the fan cage, fan base, and mount are tight and secure.
- Check the power cord and plug for damage. Ensure it is tightly attached with no fraying.
- Check safety cable and mounting system.
- Check guy wires (if installed) for fraying or damage.

Ask about Big Ass Fans preventive maintenance service package by calling Customer Service.

Additional considerations

- Verify proper fan rotation. The fan should be turning counterclockwise when viewed from the front.
- To clean the fan blades and fan cage, remove the four bolts securing the cage to the housing as shown below. Wipe the blades, motor, and motor housing with a soft cloth. If desired, use a gentle cleaner or degreasing agent to polish the blades.
- Check the condition of the rubber bumper feet for abnormal wear or damage. Replace if necessary. Contact Customer Service.
- Special attention should be paid to wall/column, I-beam, angle iron, and concrete mounting applications to ensure the mounting surfaces and all fan components are still in good working order and do not show signs of damage. Perform this check every six months.



General troubleshooting

The fan will not start

- Make sure that all wires are securely connected and the fan is plugged into a 100-125VAC grounded outlet rated for 15 A.
- Make sure the speed control knob is in an ON position.
- Verify that supply power is adequate and functional.
- Verify there are no obstructions in the fan assembly or blades.
- Contact Customer Service.

Optional Parts Order Form

47

Fully complete this form, and then fax to Big Ass Fans at **859-967-1695**. A Big Ass Fans representative will phone or e-mail you with the total cost of part(s) and shipping. Credit card information will also be obtained at that time.

Optional parts

Enter the number in the Quantity column for the requested part.

Quantity	Part Description
	Portable Base Mount
	Pedestal*
	Wall/Column Mount
	I-Beam Mount
	Yoke Mount
	Yoke Washer Assembly Kit
	Remotely Mounted Speed Control
	Guy Wire Kit

*Up to two (2) pedestals can be installed on the Yellow Jacket®.

Shipping information

Enter your shipping address and contact information in the fields below, and then select your preferred shipping method.

Company Name: _____

Contact Name: _____

Shipping Address: _____

City, State, ZIP: _____

Phone Number: _____ Ext: _____

E-mail Address: _____

I prefer UPS Ground Shipping.

I prefer UPS Next Day Air Shipping.

Warranty Return Instructions

49

Replacement of products under warranty acknowledgment & return instructions

We have received your request for replacement of a part that failed during normal use and which you believe to be covered under warranty. We are shipping this replacement part to you pursuant to your notice that you will be replacing the original part within 10 days.

This replacement part is being shipped to you prior to our receipt of the item that failed, and prior to our evaluation of this part to determine the reasons for its failure and whether it is covered under warranty.

In order to evaluate the cause of the product failure, we need you to return the original part to our offices within 10 working days of receipt of the replacement part. Should the part be covered under warranty, you will not be charged for the replacement item. However, you will be charged for the replacement part plus shipping if (1) the part is not under warranty because the source of failure is outside the scope of the warranty, or (2) the warranty period has expired. If there is no warranty coverage, we will send you a detailed letter of explanation.

We also will charge you for the replacement item plus shipping and handling if you do not return the original item within 10 days of the receipt of the replacement item.

Instructions for returning the original item

1. Please use the return label that is included in the box containing the replacement part. The return shipment address is:

Big Ass Fan Company
ATTN: RMA# _____
800 Winchester Road
Lexington, KY 40505

2. Use the packaging for the replacement part to return the original part.
3. Include the packing list we have provided which includes the RMA#.
4. If the part weighs over 50 lbs., you will be provided a prepaid Bill Of Lading. To schedule a freight pick up, please contact Customer Service. We will only charge back the freight costs if the original part is not under warranty, or if you do not return the original component within 10 days of receipt of the replacement.
5. If the part weighs 50 lbs. or less, please use the provided prepaid UPS Ground shipping label and drop off at your nearest UPS pickup location.

We apologize for the inconvenience, and appreciate your assistance and cooperation.

If you have questions, please contact us at 1-877-BIG-FANS.

Thank you,
Big Ass Fan Company

Warranty claim form instructions

1. Complete Warranty Claim Form (see following pages) and Responsibility Agreement (see following pages) and fax them to 859-967-1695, Attn: Customer Service. These pages will be faxed back to you for your records. The Warranty Claim Form will include our acknowledgment and a Return Materials Authorization (RMA) number. **Note: Do not return any item without first being assigned an RMA# by Big Ass Fan Company Customer Service.**
2. No more than 10 days prior to the date you have made arrangements to replace the component part, call Customer Service at 1-877-BIG-FANS to arrange for replacement component delivery and original component pickup. At that time, we will fax you a written acknowledgment of your call that includes a reminder of the return instructions. **Note:** Even if you are not able to replace the component immediately following your initial notice to us, returning the Warranty Claim Form and Responsibility Agreement will effectively stop the warranty clock from running. You can then make the product exchange when you are prepared to do so. However, the warranty period will continue to run until we receive these completed pages back from you, and no warranty will be honored without receipt of these pages within the warranty period. We will not send out any replacement part until you have called to let us know that you have scheduled installation of the replacement. This ensures that the replacement part is not lost or damaged while awaiting installation, and that you are not billed for the replacement because you have waited too long to return the original component (see Responsibility Agreement).
3. When you receive the replacement part, you have 10 working days to remove and replace the existing component and return it to us at **800 Winchester Road, Lexington, KY 40505**.
 - a. Upon receiving the replacement part, verify that replacement part order is correct. If order is incorrect or damaged, notify Big Ass Fan Company within 24 hours after receiving order.
 - b. Use care unpacking the replacement component, as you will need to use BOTH the packaging from the replacement part AND the packing list and a return address label included inside this packaging to return the original part. If the original packaging and return documents are not used, you will be responsible for any damage incurred in transit as well as any additional costs involved. **Note: The RMA# must appear on the outside of the box being returned. Items without an RMA# will not be accepted.**
 - c. Use the delivery service or one of the truck lines specified in the acknowledgement for return of the part. We will refuse receipt of any shipment that is returned via an unauthorized carrier. If you prefer, we can make all arrangements for delivery and pickup.
 - d. Fax a copy of the bill of lading or other tracking information to 859-967-1695 when the item has been shipped so that we know to expect delivery of the original part.
4. If we do not receive the original part back within 15 working days from the date you receive delivery of the replacement, you will be invoiced for the cost of the replacement part, plus freight, on Net 15 terms (see Responsibility Agreement), and this invoice will be due and payable. If you subsequently return the replacement part to us after payment has been made, we will refund any payment made for the replacement part, unless we subsequently determine that the part is not covered under warranty.



800 Winchester Road
Lexington, KY 40505
Phone: 1-877-BIG-FANS
Fax: (859) 967-1695
www.bigassfans.com

Warranty Claim Form

Name (print): _____ Signature: _____

Company: _____

Shipping Address: _____

City/State/ZIP: _____

Phone: _____ Fax: _____

Items Returned: _____ Date of Purchase: _____

Reason(s) for Returning Item (please provide detail, including length of time after fan had been in operation that problem was noticed, nature of problem, any attempts you made to remedy the problem, etc.):

ATTENTION: Do not return any item without first being assigned an RMA# by Big Ass Fan Company Customer Service Department. The RMA# must appear on the outside of the box being returned. Items without an RMA# will not be accepted.

Date Replacement Parts Should Be Shipped (if known): _____

(Please do not request shipment until you are prepared to install; you may call us at 1-877-BIG-FANS to arrange shipment when you have scheduled installation.)

Acknowledgment of Receipt of Warranty Return Notification
(to be completed by Big Ass Fan Company)

Acknowledged By: _____ **Date:** _____

RMA#: _____

Authorized Truck Line(s): _____



800 Winchester Road
Lexington, KY 40505
Phone: 1-877-BIG-FANS
Fax: (859) 967-1695
www.bigassfans.com

Responsibility Agreement

To: Big Ass Fan Company

The undersigned understands and acknowledges receipt of the Warranty Claim Form and Instructions and agrees that Big Ass Fan Company ("Big Ass Fan Company") has the right, upon receipt of returned merchandise, to make final determination as to whether this merchandise should be replaced at no cost under Big Ass Fan Company's stated warranty policy.

The undersigned further agrees that if Big Ass Fan Company determines that this merchandise does not qualify under its stated warranty policy, Big Ass Fan Company can invoice for the replacement merchandise, plus shipping and handling for the original part and all replacements, and such invoice will be paid within 15 days of receipt of the same.

The undersigned agrees to ship to Big Ass Fan Company's location at 800 Winchester Road, Lexington, KY 40505 all of the merchandise replaced by Big Ass Fan Company, including, but not necessarily limited to, defective or failed components, within 10 working days of the receipt of the any replacements.

The undersigned further agrees that if said replaced merchandise has not been shipped to Big Ass Fan Company within 10 working days, Big Ass Fan Company can invoice for the replacement merchandise plus shipping and handling, and the invoice will be paid within 15 days of receipt.

Signed: _____

Title: _____

For: _____

(Name of Company)

Date: _____



2348 Innovation Drive
Lexington, KY 40511
Phone: 1-859-233-1271
www.bigasssolutions.com

Check-In Procedure

(for Big Ass Fans Certified Installers Only)

ATTENTION: These items must be completed prior to any additional installation crew members entering jobsite or any installation material being unloaded.

Date: _____

Company: _____ Job Name: _____

Address: _____ Purchase Order No.: _____

City/State/ZIP: _____

Contact Name: _____ Phone: _____

E-mail: _____

****SEE THE FOLLOWING PAGE FOR NFPA 13 REGULATIONS****

<input type="checkbox"/>	Fan placement is to be in accordance with agreed upon original Scope of Work and Layout. If this is to change, please note change and consult Field Service Manager for approval.
<input type="checkbox"/>	Installation techniques have been discussed (type of conduit, L-brackets if required, mounting technique explained). If the extension tubes exceed 4 ft (1.2 m), guy wires are explained and fully understood.
<input type="checkbox"/>	Times in/out, duration, and schedule presented and accepted.
<input type="checkbox"/>	Time (please list the number of employees and total duration of jobs):
<input type="checkbox"/>	Safety rules and regulations have been brought to installer's attention (e.g., badges, safety harnesses, vests, hard hats, footwear, lock out/tag out, certification processes, work area free of trash and debris, etc.). If there are any areas that are forbidden or secure, they are brought to the supervisor's attention and instructed not to enter. If there are any special site conditions (i.e., open areas and operating machinery to be avoided), they are also brought to the supervisor's attention and instructed how to bypass the area if required. Safety Rules and Regulations listed:
<input type="checkbox"/>	The facility manager understands all electrical requirements, i.e., breaker size, voltage, brand, main panel space, and they are in accordance with original Scope of Work and Layout.
	Additional comments:

Check-In Procedure (cont.)

(for Big Ass Fans Certified Installers Only)

National Fire Protection Association Standard

In accordance with NFPA 13 Standard from the National Fire Prevention Association as referenced in sections 12.1.4 and 11.1.7: High Volume Low Speed (HVLS) Fans:

The installation of HVLS fans in buildings equipped with sprinklers, including ESFR sprinklers, shall comply with the following:

- The maximum fan diameter shall be 24 feet (7.3 m).
- The fan shall be approximately centered between four adjacent sprinklers.
- The vertical clearance from the fan to sprinkler deflector shall be a minimum of 3 feet (0.9 m).
- All fans shall be interlocked to shut down immediately upon receiving a water flow signal from the alarm system in accordance with the requirements of NFPA 72- National Fire Alarm and Signaling Code.

WARNING: The fan should not be installed unless the structure on which the fan is to be mounted is of sound construction, undamaged, and capable of supporting the loads of the fan and its method of mounting. Verifying the stability of the mounting structure is the sole responsibility of the customer and/or end user, and Big Ass Fans hereby expressly disclaims any liability arising therefrom, or arising from the use of any materials or hardware other than those supplied by Big Ass Fans or otherwise specified in the installation instructions.

If this installation will be performed outside the scope of work or not within the specifications of Big Ass Fans by customer's request, please provide specific details:

Please sign below if both parties agree that all aspects of this installation have been thoroughly explained and are of clear understanding and agreement of the installation to be completed.

Customer Signature: _____

Printed Name: _____ **Date:** _____

Contractor Signature: _____

Printed Name: _____ **Date:** _____

The supervisor is to hold all documents until the job is complete and send all forms back to Field Service Manager. This will consist of the service/work order, Check-In document, and Close-Out document. The installation crew will not receive payment until all forms are signed by the facility manager and the supervisor. These documents will then be forwarded to the Field Service Manager at Big Ass Fans.



2348 Innovation Drive
Lexington, KY 40511
Phone: 1-859-233-1271
www.bigasssolutions.com

Close-Out Procedure

(for Big Ass Fans Certified Installers Only)

Date: _____

Company: _____ Job Name: _____

Address: _____ Purchase Order No.: _____

City/State/ZIP: _____

Contact Name: _____ Phone: _____

E-mail: _____

****SEE THE FOLLOWING PAGE FOR NFPA 13 REGULATIONS****

The field crew supervisor and facility manager are to walk through the completed installation.

<input type="checkbox"/>	The installation is complete and on time in accordance with the original Check-In document. If not, explain:
<input type="checkbox"/>	Conduit runs are installed in accordance with the Check-In document, Scope of Work, and Layout. If not, explain:
<input type="checkbox"/>	The fans are correctly placed in accordance with both the Check-In document, Scope of Work, and Layout. If not, explain:
<input type="checkbox"/>	Breaker size and wire type are in accordance with the Check-In document, Scope of Work, and Layout. If not, explain:
<input type="checkbox"/>	All safety rules and regulations met in accordance with the Check-In document, Scope of Work, and Layout. If not, explain:
<input type="checkbox"/>	Fans have been running for over an hour and operate without visible defect or issue.
<input type="checkbox"/>	The fan is spinning in the correct direction (counterclockwise when viewed from floor).
<input type="checkbox"/>	Angle irons are securely fastened and are without any apparent problems in accordance with installation techniques discussed at check-in.
<input type="checkbox"/>	If extension tube is 4 ft (1.2 m) or longer, guy wires are in place and there is no evidence of a wobble.
<input type="checkbox"/>	Supervisor or contractor has supplied and explained the Installation Guide. If not, explain:
<input type="checkbox"/>	The supervisor or contractor has explained and I understand how to operate fan including starting/stopping, speed operation, and power disconnect. If not, explain:
<input type="checkbox"/>	Time in/out and duration are in accordance with Check-In document.
	Additional comments:

Close-Out Procedure (cont.)

(for Big Ass Fans Certified Installers Only)

National Fire Protection Association Standard

In accordance with NFPA 13 Standard from the National Fire Prevention Association as referenced in sections 12.1.4 and 11.1.7: High Volume Low Speed (HVLS) Fans:

The installation of HVLS fans in buildings equipped with sprinklers, including ESFR sprinklers, shall comply with the following:

- The maximum fan diameter shall be 24 feet (7.3 m).
- The fan shall be approximately centered between four adjacent sprinklers.
- The vertical clearance from the fan to sprinkler deflector shall be a minimum of 3 feet (0.9 m).
- All fans shall be interlocked to shut down immediately upon receiving a water flow signal from the alarm system in accordance with the requirements of NFPA 72- National Fire Alarm and Signaling Code.

WARNING: The fan should not be installed unless the structure on which the fan is to be mounted is of sound construction, undamaged, and capable of supporting the loads of the fan and its method of mounting. Verifying the stability of the mounting structure is the sole responsibility of the customer and/or end user, and Big Ass Fans hereby expressly disclaims any liability arising therefrom, or arising from the use of any materials or hardware other than those supplied by Big Ass Fans or otherwise specified in the installation instructions.

NOTE: The customer's initials are required as acknowledgement for the following instances:

- ___ Return Trip Required – Additional Charges Apply (Customer not Ready/Lift Issues)
- ___ Work Completed Outside Scope of Work (if applicable)
- ___ Installation Not Performed Per BAF Recommendations or Specifications For Any Reason
- ___ Customer Understands and Approves Additional Charges As Explained in amount of \$_____ (if applicable)
- ___ Other (Please Explain Below)

If any portion of this installation was performed outside the scope of work or not within the specifications of Big Ass Fans at any capacity or for any reason, please provide specific details below:

Signatures of both parties are required below to acknowledge that this installation has been completed to customer's satisfaction, to activate fan(s) warranty, and to issue payment to contractor (with required documentation):

Customer Signature: _____

Printed Name: _____ **Date:** _____

Contractor Signature: _____

Printed Name: _____ **Date:** _____

The supervisor is to hold all documents until the job is complete and send all forms back to Field Service Manager. This will consist of the service/work order, Check-In document, and Close-Out document. The installation crew will not receive payment until all forms are signed by the facility manager and the supervisor. These documents will then be forwarded to the Field Service Manager at Big Ass Fans.



002259-01

REV. O



2425 Merchant St., Lexington, KY 40511
1 (877) BIG-FANS | WWW.BIGASSFANS.COM