



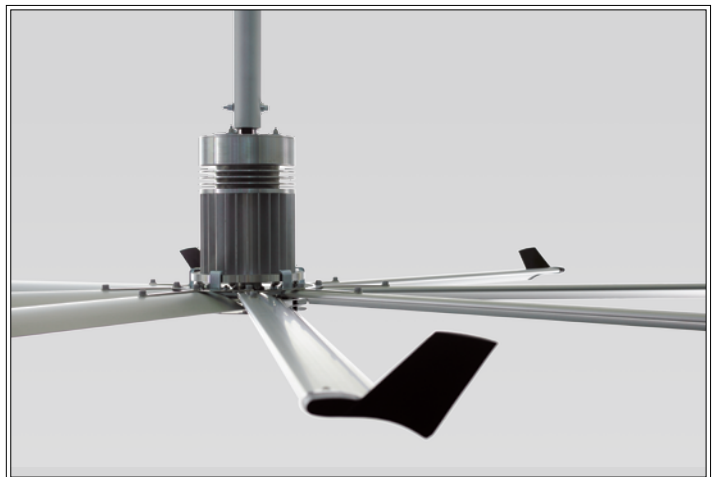
Isis

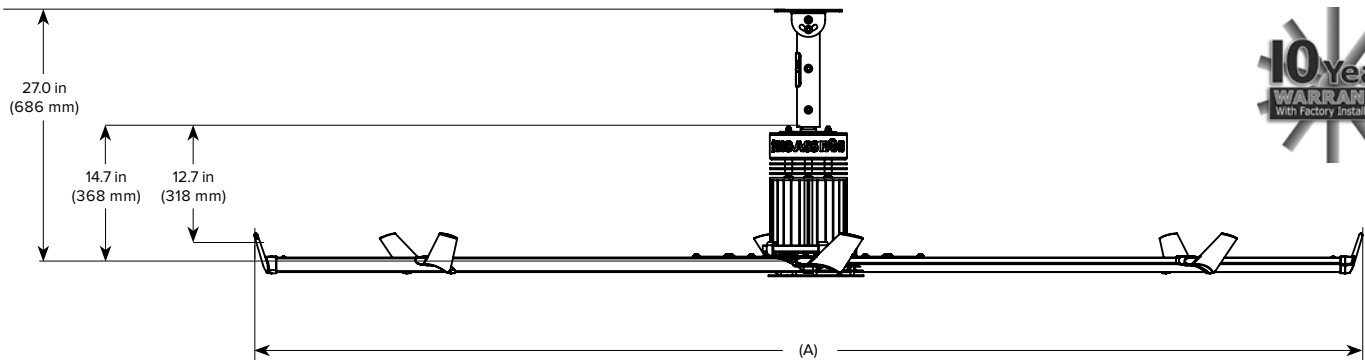
Sleek. Effective.

Isis® by Big Ass Fans® is engineered to circulate large volumes of air in commercial, air-conditioned spaces. Shaped like aircraft wings, its sweeping airfoil blades revolve slowly and quietly to produce gentle, powerful currents of air for consistent, energy-efficient comfort year round. Isis incorporates the same sturdy components and aerodynamic principles as industrial Big Ass Fans, but in a lighter, smaller and more stylish package. Isis is perfect for ceilings as low as 12 feet (3.7 meters) in restaurants, bars, health clubs and offices. And hidden inside the sleek exterior is the brain of Isis – a proprietary gearless direct-drive motor that allows the fan to operate silently. Isis is the total package.

Features

- Lightweight commercial fan for flat or sloped ceilings as low as 12 feet (3.7 meters)
- Silent operation for sound-sensitive spaces
- Industrial-grade components
- Available in 8- and 10-ft (2.4- and 3.1-m) diameters
- Backed by a 10-year, non-prorated commercial warranty in the US and Canada
- Models rated for outdoor use available in select countries

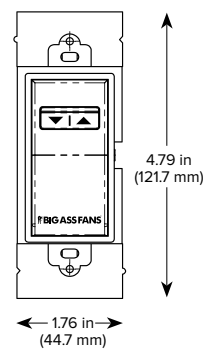




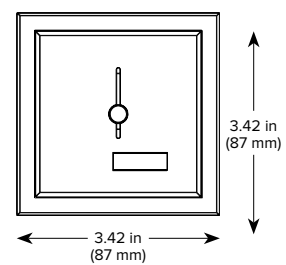
Technical Specifications	8 ft (2.4 m)	10 ft (3.0 m)
Model number	IS08	IS10
Fan diameter (A)	8 ft (2.4 m)	10 ft (3.0 m)
Fan weight	81 lb (37 kg)	88 lb (40 kg)
Maximum speed	120 RPM	80 RPM
Number and type of airfoils	8 patented airfoils	
Airfoil finish	Clear anodized aluminum	
Winglet (standard finish)	Isis winglet (black)	
Prime mover	Gearless direct drive motor	
Full load amps (120V/240V)	3.9/2.4 A	
Input power and required breaker	110-125 VAC, 60 Hz, 1 Φ, 10 A 200-250 VAC, 50 Hz, 1Φ, 10 A	
Controller (standard color)	Isis wall switch (white)	
Sound level (max speed) ¹	< 35 dBA	
Standard extension tube length	1 ft (0.3 m)	
Extension tube length options	2 ft (0.61 m) – 15 ft (4.6 m)	
Minimum airfoil clearances required	10 ft (3.05 m) above floor 2 ft (.61 m) on sides 2 ft (.61 m) below ceiling deck	
Certifications	ETL/Intertek certified to ANSI/UL 507 and CSA C22.2 No. 113	
Warranty	10-year warranty with factory installation in the US and Canada ²	

Accessories

Controller 120V*



Controller 240V



*Fits standard electrical box; white cover plate included

Standard Colors*

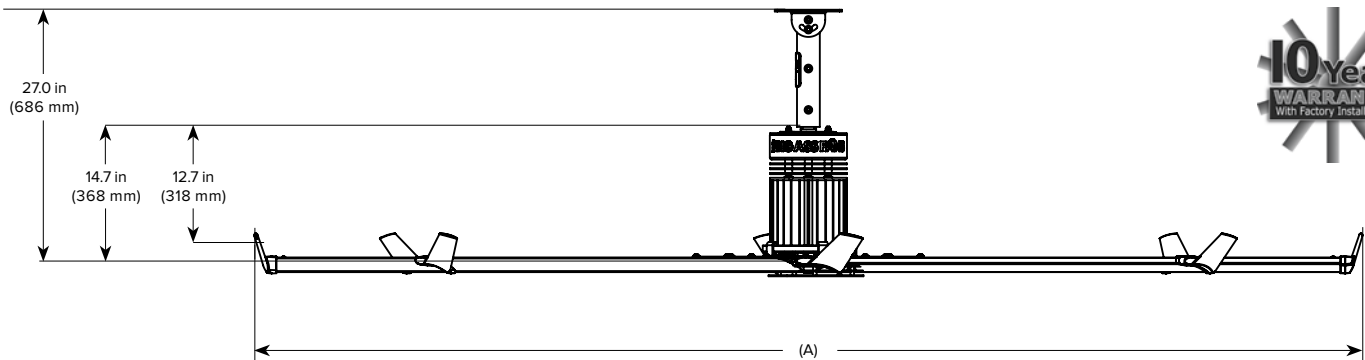


Blinded by the white Bringing sexy black Cocoa ono

*Ask about custom color options and how to mix and match stock fan and trim colors.

¹Sound level measured at a blade height of 20 ft (6.1 m) and 20 ft (6.1 m) horizontally from center of fan.
²10-year parts with factory installation in the US and Canada. Hub and airfoils lifetime in the US and Canada. Certain exclusions may apply. Warranties vary by country. See complete warranty for details and non-factory installation warranty periods.

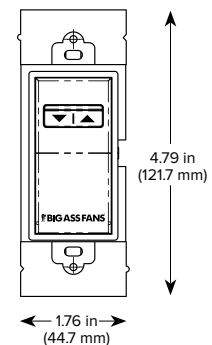




Technical Specifications		8 ft (2.4 m)
Model number		IS083
Fan diameter (A)		8 ft (2.4 m)
Fan weight (as shown)		81 lb (37 kg)
Maximum speed		120 RPM
Number and type of airfoils		8 patented airfoils
Airfoil finish		Clear anodized aluminum
Winglet (standard finish)		Isis winglet (black)
Prime mover		Gearless direct drive motor
Full load amps		3.9 A
Input power and required breaker		110–125 VAC, 60 Hz, 1 Φ, 10 A
Controller (standard color)		Isis wall switch (white)
Sound level (max speed) ¹		< 35 dBA
Standard extension tube length		1 ft (0.3 m)
Extension tube length options		2 ft (0.61 m) – 15 ft (4.6 m)
Minimum airfoil clearances required		10 ft (3.05 m) above floor 2 ft (.61 m) on sides 2 ft (.61 m) below ceiling deck
Certifications		ETL/Intertek certified to ANSI/UL 507 and CSA C22.2 No. 113 Suitable for wet locations
Warranty		10-year warranty with factory installation in the US and Canada ²

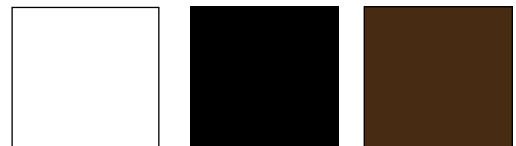
Accessories

Controller 120V*



*Fits standard electrical box; white cover plate included

Standard Colors*



Blinded by the white

Bringing sexy black

Cocoa ono

*Ask about custom color options and how to mix and match stock fan and trim colors.

¹Sound level measured at a blade height of 20 ft (6.1 m) and 20 ft (6.1 m) horizontally from center of fan.
²10-year parts with factory installation in the US and Canada. Hub and airfoils lifetime in the US and Canada. Certain exclusions may apply. Warranties vary by country. See complete warranty for details and non-factory installation warranty periods.

