

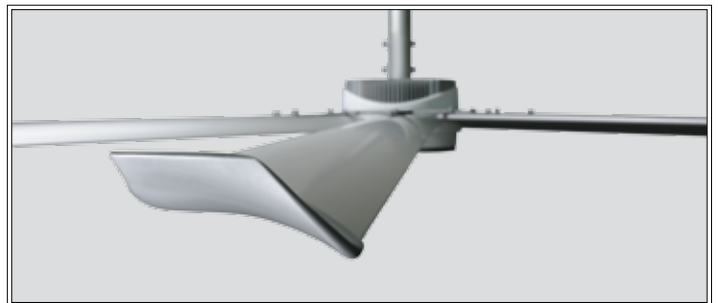
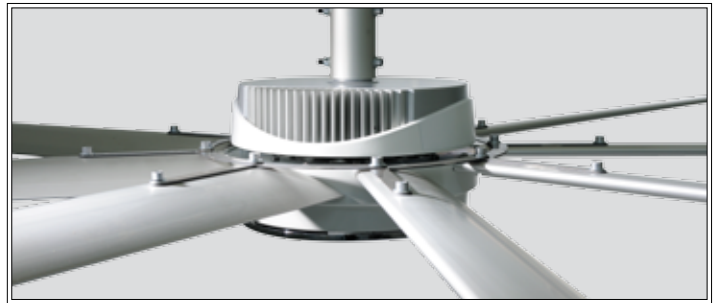
Essence

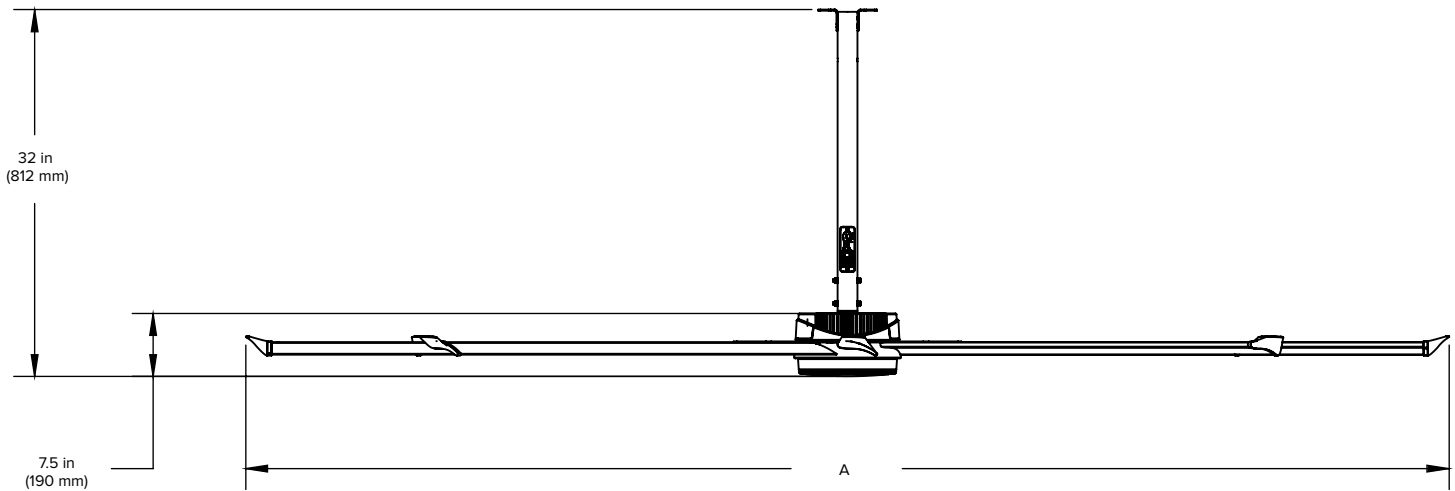
The best fan for a big space, indoor or out

Essence® is both an essential money-saving machine and a work of art. Ranging from 8 to 14 feet (2.4 to 4.3 meters) in diameter, Essence is the first Big Ass Fan that was developed to excel both indoor and outdoor. With its high-efficiency, sensorless direct drive motor, Essence provides the air movement needed in large spaces. From lobbies, pavilions and music venues to seaside dining and open-air theatres, Essence brings the quiet, comforting power of air movement to any space. In fact, a single Essence does the work of more than 28 standard 52-inch (1.3 meters) ceiling fans at just one-seventh of the operating costs.

Features and benefits

- Available in 8-, 10-, 12- and 14-ft (2.4-, 3-, 3.7- and 4.3-m) diameters
- Suitable for ceilings as low as 12 feet (3.7 meters)
- Gearless direct drive motor provides silent operation (< 35 dBA)
- Permanent magnets help reduce power consumption
- Onboard electronic microprocessors offer design flexibility and multiple control options
- Modular construction for ultimate flexibility in styling and color schemes
- Suitable for indoor and outdoor spaces
- Wired or optional wireless wall control
- Lightweight and easy to install
- 10-year warranty in the US and Canada





Technical Specifications

Model	Essence Series			
Number and type of airfoils	8 Mini-Ellipto airfoils			
Airfoil finish (standard)	Clear anodized			
Winglet finish (standard)	Silver or black			
Fan diameter (A)	8 ft (2.4 m)	10 ft (3 m)	12 ft (3.7 m)	14 ft (4.3 m)
Fan weight (as shown with 2-ft extension tube)	75 lb (34 kg)	81 lb (37 kg)	88 lb (40 kg)	96 lb (44 kg)
Prime mover (standard color)	Gearless direct drive (white or silver)			
Maximum speed	158 RPM	107 RPM	76 RPM	56 RPM
Input power and required breaker	110–125 VAC, 1Φ, 50/60 Hz, 10A 200–240 VAC, 1Φ, 50/60 Hz, 10A			
Minimum airfoil clearances required	10 ft (3 m) above floor 2 ft (0.6 m) on sides 2 ft (0.6 m) below ceiling deck			
Standard extension tube length	2 ft (0.6 m)			
Extension tube length options	2–15 ft (0.6–4.6 m)			
Wired wall controller	Mount in standard single-gang junction box or to surface of wall Connects to fan with 10-V CAT5 cable and RJ45 connector			
Wireless wall controller	Optional			
Sound level at maximum speed*	< 35 dBA			
Certifications (entire fan)	TUV-certified to UL 507 and CSA 22.2 No. 113			
Warranty**	10-year warranty in the US and Canada			

* Actual results of sound measurements in the field may vary due to sound reflective surfaces and environmental conditions.
 ** 10 year parts, lifetime airfoils and hub, 1 year labor warranty available in the US and Canada; certain exclusions may apply. Warranties vary by country. See complete warranty for details.

Accessories

Standard Wired Wall Control



Optional Wireless Wall Control



Standard Color Options



White motor housing with Silver Trim

Silver motor housing with Black Trim

*Ask about custom color options and how to mix and match stock fan and trim colors.

