



Element

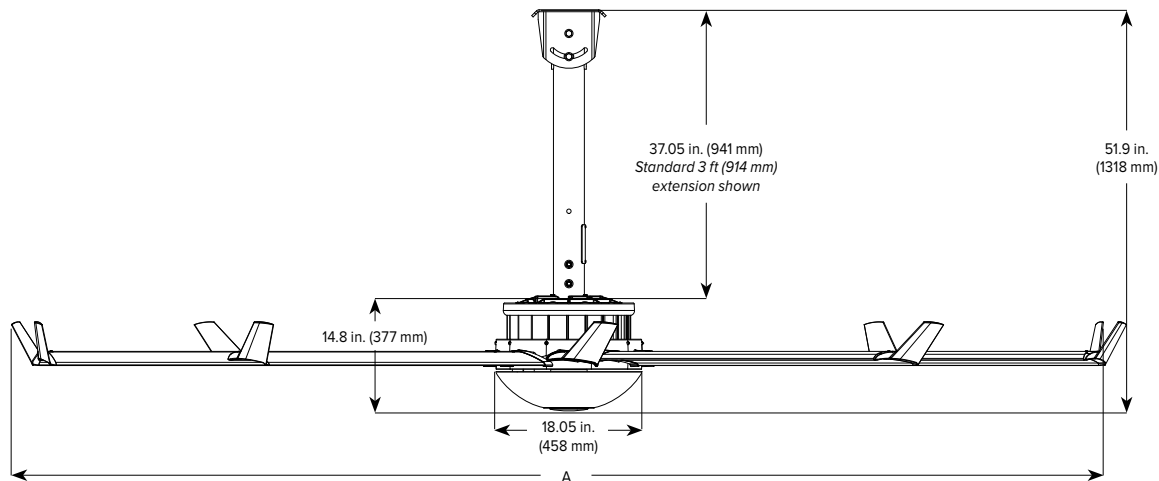
Uniting form and function

Built from the ground up, Element by Big Ass Fans® is a completely silent ceiling fan designed to deliver big ass benefits to commercial spaces and air-conditioned environments. The gentle air circulation and energy efficiency of Big Ass Fans have been reborn in a stylish modern fan that will complement any environment. A hybrid of proprietary technology and industrial-strength performance, Element is equipped with an oil-free, permanent magnet prime mover that provides high torque at low speeds and eliminates the need for a noisy gearbox. Customize your Element with standard or custom finish to complement any decor.

Features and benefits

- Available in 16- (4.9), 18- (5.5) and 20-ft (6.1 m) diameters
- Silent operation
- Oil-free permanent magnet prime mover
- Onboard controls eliminate electrical noise and interference
- Fully customizable appearance package
- 10-year, non-prorated warranty in the US and Canada





Technical Specifications

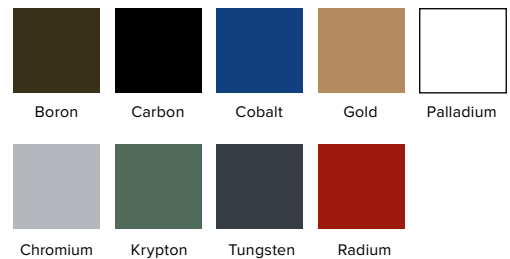
Model	Element Series		
Fan diameter (A)	16 ft (4.9 m)	18 ft (5.5 m)	20 ft (6.1 m)
Fan weight (as shown with 2 ft. extension tube)	258 lb (117 kg)	272 lb (123 kg)	286 lb (130 kg)
Maximum speed	52 RPM	42 RPM	33 RPM
Number and type of airfoils	10 TEC airfoils		
Airfoil finish (standard)	Clear anodized aluminum		
Winglet (standard)	Black		
Prime mover	Gearless direct drive		
Controller and connection	Element LCD wall control; CAT5, includes 3 ft (914 mm) test cable		
Input power and required breaker	100–250 VAC, 50/60 Hz, 1 Φ, 10 A		
Full load amps	6.4–4.5 A (110V) 3.2–2.3 A (220V)		
Sound level (max speed)	< 40 dBA		
Standard extension tube length	3 ft (0.6 m)		
Extension tube length options	2–15 ft (0.6–4.5 m)		
Minimum airfoil clearances required	10 ft (3.05 m) above floor 2 ft (0.61 m) on sides 3 ft (0.91 m) to 5 ft (1.52 m) below ceiling deck, depending on fan diameter		
Certifications	ANSI/UL 507 CAN/CSA C.22.2 No. 113-08		
Warranty*	10 years with factory installation		

Accessories

Controller



Standard Color Options*



*Base model is anodized aluminum
Ask about other custom color options and other alternative finishes.

* 10 year parts, 1 year labor warranty available in the US and Canada; certain exclusions apply. Warranties vary by country. See complete warranty for details.