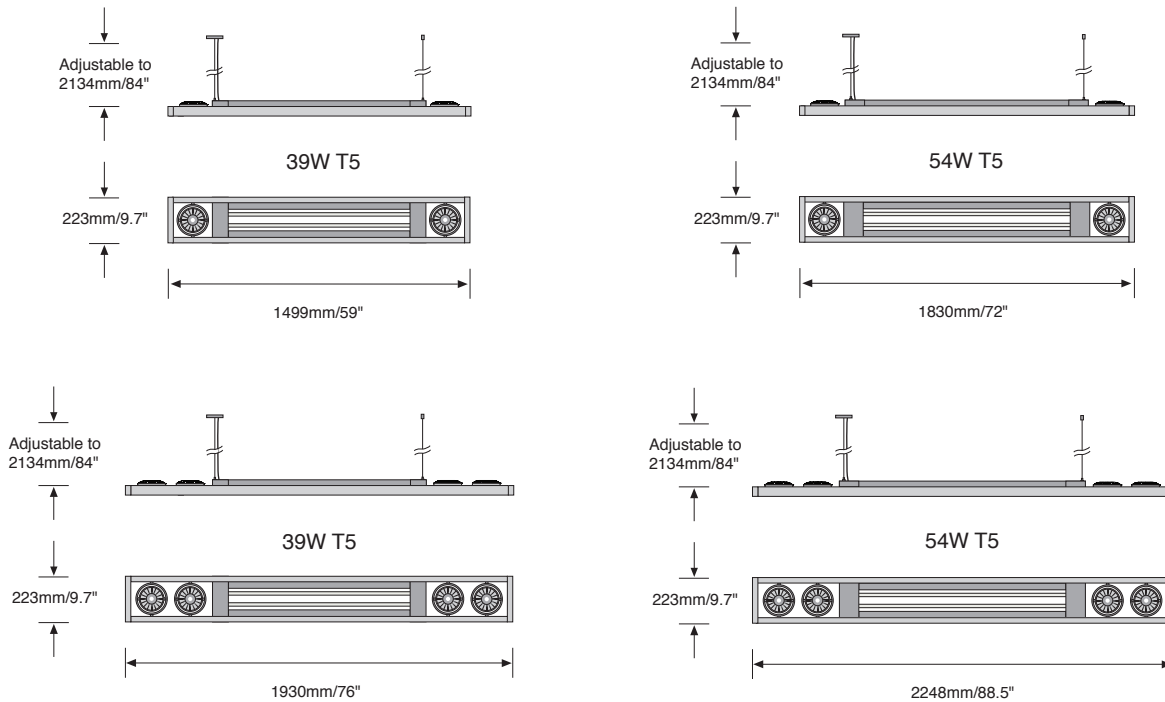


XACARA TIROS III

WEB PIN™ I30



GENERAL SPECIFICATION

Body and trim: Steel and aluminium (extruded).

Array housings: Die cast aluminium.

Gimbal: Fully articulating on two axes.

Suspension: Two cables, fully adjustable.

Reflectors: Medium and wide beam. Highly reflective, specular finish, vacuum plated.

Protective lens (optional): Clear glass. Recommended for applications where fixture may be regularly handled or come in contact with excessive air contaminants.

Power cable: Silver braided.

Finish: Metallic silver powder coated.

Ballasts/drivers: HPF electronic for 120-277V.

Approvals: ETL/US, ETL/C, CE.

DIRECT/INDIRECT ILLUMINATION PENDANT

A SPECIFY LAMP/LUMINAIRE TYPE

Code:	Lamp:	LED CCT:	LED CRI:	LED Delivered lms:	LED Efficacy LPW:	L70 @25°C (77°F):
50 1820	2 x 26W LED & 2 x 39W T5 HO	3000K	90	2 x 1620	58.0	> 60,000 hrs
50 1821	2 x 26W LED & 2 x 39W T5 HO	3500K	80	2 x 1990	70.4	> 60,000 hrs
50 1822	2 x 26W LED & 2 x 39W T5 HO	4000K	80	2 x 2095	74.1	> 60,000 hrs
50 1840	4 x 26W LED & 2 x 39W T5 HO	3000K	90	4 x 1620	58.0	> 60,000 hrs
50 1841	4 x 26W LED & 2 x 39W T5 HO	3500K	80	4 x 1990	70.4	> 60,000 hrs
50 1842	4 x 26W LED & 2 x 39W T5 HO	4000K	80	4 x 2095	74.1	> 60,000 hrs
50 1825	2 x 26W LED & 2 x 54W T5 HO	3000K	90	2 x 1620	58.0	> 60,000 hrs
50 1826	2 x 26W LED & 2 x 54W T5 HO	3500K	80	2 x 1990	70.4	> 60,000 hrs
50 1827	2 x 26W LED & 2 x 54W T5 HO	4000K	80	2 x 2095	74.1	> 60,000 hrs
50 1845	4 x 26W LED & 2 x 54W T5 HO	3000K	90	4 x 1620	58.0	> 60,000 hrs
50 1846	4 x 26W LED & 2 x 54W T5 HO	3500K	80	4 x 1990	70.4	> 60,000 hrs
50 1847	4 x 26W LED & 2 x 54W T5 HO	4000K	80	4 x 2095	74.1	> 60,000 hrs

B SPECIFY REFLECTORS

- ME Medium 24°
- WD Wide 50°

C SPECIFY T5 MODULE

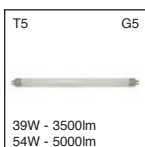
- IN Indirect only
- OB Open body, direct/indirect
- OP Opal diffuser, direct/indirect
- SL Indirect with light slots

D SPECIFY OPTIONS

- CL Clear lens (for LEDs only)
- DB Dimming drivers/ballasts (*contact factory for availability*)
- TC Twin circuit

Example Specification Code: 50 1820 • ME • OB

Photometric testing performed using LM79 procedures.

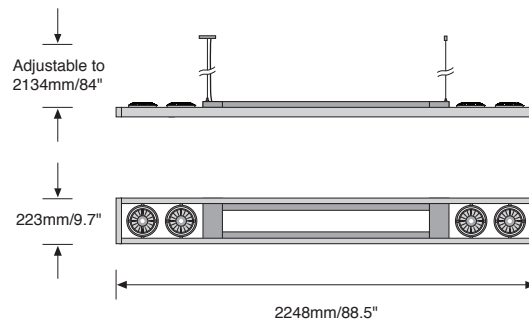
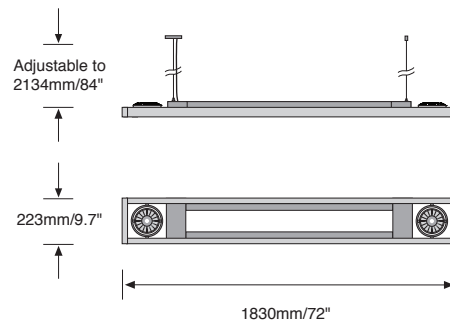


The XACARA line of products are the subject of several pending U.S. Design Patent and Canadian Industrial Design Applications. EU Registered Design Application Pending.

Note: Due to constant changes in LEDs, please check our website for current product specifications.

XACARA TIROS III

WEB PIN™ I30



GENERAL SPECIFICATION

Body and trim: Steel and aluminium (extruded).

Array housings: Die cast aluminium.

Gimbal: Fully articulating on two axes.

Suspension: Two cables, fully adjustable.

Reflectors: Medium and wide beam. Highly reflective, specular finish, vacuum plated.

Protective lens (optional for spotlights): Clear glass. Recommended for applications where fixture may be regularly handled or come in contact with excessive air contaminants.

Power cable: Silver braided.

Finish: Metallic silver powder coated.

Drivers: HPF electronic for 120-277V, 0-10V dimming standard.

Approvals: ETL/US, ETL/C, CE.

DIRECT/INDIRECT ILLUMINATION PENDANT

A SPECIFY LAMP/LUMINAIRE TYPE

Code:	Lamp:	LED CCT:	LED CRI:	LED Delivered lms:	Spot Efficacy LPW:	Diffuser Efficacy LPW:	L70 @25°C (77°F):
50 1850	2 x 26W LED & 40W LED*	3000K	90	2 x 1620 + 1700	58.0	48	> 60,000 hrs
50 1851	2 x 26W LED & 40W LED*	3500K	80	2 x 1990 + 1800	70.4	48	> 60,000 hrs
50 1852	2 x 26W LED & 40W LED*	4000K	80	2 x 2095 + 1800	74.1	48	> 60,000 hrs
50 1855	2 x 26W LED & 80W LED*	3000K	90	2 x 1620 + 3400	58.0	48	> 60,000 hrs
50 1856	2 x 26W LED & 80W LED*	3500K	80	2 x 1990 + 3600	70.4	48	> 60,000 hrs
50 1857	2 x 26W LED & 80W LED*	4000K	80	2 x 2095 + 3600	74.1	48	> 60,000 hrs
50 1860	4 x 26W LED & 40W LED*	3000K	90	4 x 1620 + 1700	58.0	48	> 60,000 hrs
50 1861	4 x 26W LED & 40W LED*	3500K	80	4 x 1990 + 1800	70.4	48	> 60,000 hrs
50 1862	4 x 26W LED & 40W LED*	4000K	80	4 x 2095 + 1800	74.1	48	> 60,000 hrs
50 1865	4 x 26W LED & 80W LED*	3000K	90	4 x 1620 + 3400	58.0	48	> 60,000 hrs
50 1866	4 x 26W LED & 80W LED*	3500K	80	4 x 1990 + 3600	70.4	48	> 60,000 hrs
50 1867	4 x 26W LED & 80W LED*	4000K	80	4 x 2095 + 3600	74.1	48	> 60,000 hrs

B SPECIFY SPOTLIGHT REFLECTORS

ME Medium 24°

WD Wide 50°

C SPECIFY LED MODULE

IN Indirect only

OP Opal diffuser, direct only

D SPECIFY OPTIONS

CL Clear lens (for spotlight LEDs only)

TC Twin circuit

* LEDs within the diffuser panel are 80CRI.

Example Specification Code: 50 1850 • ME • OP

Photometric testing performed using LM79 procedures.

Xacara 26W Photometrics

Color Temp: 3500K

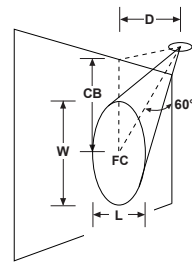
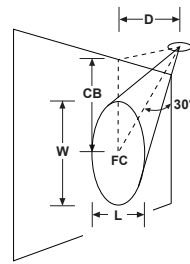
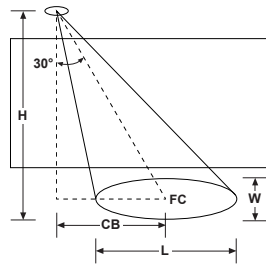
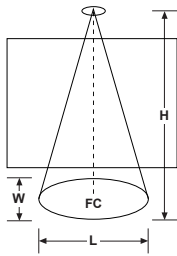
Multipliers:

3000K = 0.83

4000K = 1.05

5000K = 1.20

	0° Aiming Angle Horizontal FC				30° Aiming Angle Horizontal FC					30° Aiming Angle Vertical FC on Wall					60° Aiming Angle Vertical FC on Wall					
	H	FC	L	W	H	FC	L	W	CB	D	FC	L	W	CB	D	FC	L	W	CB	
Medium 25°																				
CBCP: 4725	5.0	189	2.2	2.2	5.0	141	3.0	2.6	2.9	3.0	73	6.2	2.7	5.2	3.0	413	1.8	1.5	1.7	
Lumens: 2006	7.5	84	3.3	3.3	7.5	62	4.5	3.8	4.3	4.0	40	8.3	3.6	6.9	4.0	220	2.4	2.1	2.3	
LPW: 71.1	10.0	47	4.4	4.4	10.0	35	6.0	5.1	5.8	5.0	25	10.4	4.4	8.7	5.0	136	3.0	2.6	2.9	
	12.5	30	5.5	5.5	12.5	22	7.5	6.4	7.2	6.0	17	12.5	5.3	10.4	6.0	92	3.6	3.1	3.5	
	15.0	21	6.6	6.6	15.0	16	9.0	7.7	8.7											
Wide 50°																				
CBCP: 2373	5.0	95	4.7	4.7	5.0	71	6.7	5.4	2.9	3.0	35	32.2	5.6	5.2	3.0	204	4.0	3.2	1.7	
Lumens: 1990	7.5	42	7.0	7.0	7.5	31	10.1	8.1	4.3	4.0	19	42.9	7.5	6.9	4.0	108	5.4	4.3	2.3	
LPW: 70.4	10.0	24	9.3	9.3	10.0	18	13.4	10.8	5.8	5.0	12	53.6	9.3	8.7	5.0	67	6.7	5.4	2.9	
	12.5	15	11.7	11.7	12.5	11	16.8	13.5	7.2	6.0	8	64.4	11.2	10.4	6.0	45	8.0	6.5	3.5	
	15.0	11	14.0	14.0	15.0	8	20.1	16.2	8.7											



NOTES:

Beam spread is to 50% center beam candlepower (CBCP)

D=Distance in feet to wall.

H=Distance in feet to floor

FC=Footcandles on floor or wall at center beam aiming location.

L =Effective Visual Beam length in feet (50% of maximum footcandle level.)

W=Effective Visual Beam width in feet (50% of maximum footcandle level.)

CB=Distance in feet across or down to center beam location.

Note: Due to constant changes in LEDs, please check our website for current product specifications.