

# XACARA-S

WEB PIN™ 290



## GENERAL SPECIFICATION

**Body:** Die cast aluminum.

**Finish:** Powder coated.

**Suspension:** Single stainless steel aircraft cable or steel tube.

**Power cable:** Clear with silver wires.

**Reflectors:** Narrow and medium, highly reflective, specular finish, vacuum plated. Wide (WD) reflectors are white.

**Protective lens:** Clear glass (optional).

**Drivers:** HPF electronic, 120/277V with 0-10V dimming (10%).

**Approvals:** ETL/US, ETL/C, CE.

## 45W PENDANT

### A SPECIFY LAMP/LUMINAIRE TYPE

Code:	Lamp:	CCT:	CRI:	*Delivered lms:	*Efficacy LPW:	L70 @25°C (77°F):
51 1100	45W LED	3000K	80	3412	73.0	> 60,000 hrs
51 1101	45W LED	3000K	90	2763	59.2	> 60,000 hrs
51 1102	45W LED	3000K	>93	2560	54.8	> 60,000 hrs
51 1103	45W LED	3500K	80	3412	73.0	> 60,000 hrs
51 1104	45W LED	4000K	80	3412	73.0	> 60,000 hrs
51 1105	45W LED	4000K	>70	3616	77.4	> 60,000 hrs

### B SPECIFY REFLECTOR

- NR Narrow 17°
- ME Medium 37°
- WD Wide 75°

### C SPECIFY FINISH

- BL Black
- MS Metallic Silver
- WH White

### D SPECIFY SUSPENSION

- CS Cable suspension
- TS3 Tube 457mm/18"
- TS4 Tube 610mm/24"
- TS5 Tube 762mm/30"
- TS6 Tube 914mm/36"
- TS7 Tube 1067mm/42"
- TS8 Tube 1220mm/48"

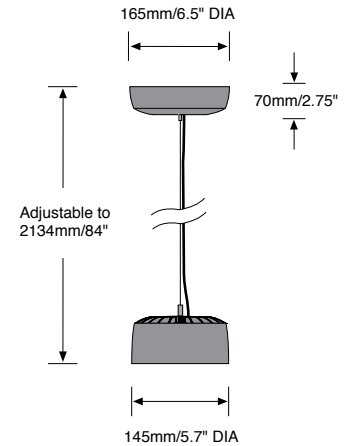
### E SPECIFY OPTIONS

- CL Clear lens

Example Specification Code: 51 1100 • ME • MS • CS

Photometric testing performed using LM79 procedures.

\* Data based on wide beam reflector.



## Xacara-S 45W Photometrics

**Color Temp:** 4000K

Multipliers:

3000K 80 CRI = 1.00

3000K 90 CRI = 0.81

3000K 93 CRI = 0.75

3500K 80 CRI = 1.00

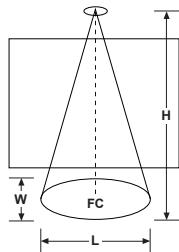
4000K 70 CRI = 1.07

**0° Aiming Angle**  
**Horizontal FC**

<b>Narrow 17°</b>	<b>H</b>	<b>FC</b>	<b>L</b>	<b>W</b>
CBCP: 9392	5.0	<b>376</b>	2.2	2.2
Lumens: 3093	7.5	<b>167</b>	3.3	3.3
LPW: 66.2	10.0	<b>93</b>	4.4	4.4
	12.5	<b>60</b>	5.5	5.5
	15.0	<b>42</b>	6.6	6.6

<b>Medium 37°</b>	<b>H</b>	<b>FC</b>	<b>L</b>	<b>W</b>
CBCP: 5194	5.0	<b>208</b>	4.7	4.7
Lumens: 3286	7.5	<b>92</b>	7.0	7.0
LPW: 70.3	10.0	<b>52</b>	9.3	9.3
	12.5	<b>33</b>	11.7	11.7
	15.0	<b>24</b>	14.0	14.0

<b>Wide 75°</b>	<b>H</b>	<b>FC</b>	<b>L</b>	<b>W</b>
CBCP: 2310	5.0	<b>92</b>	7.0	4.7
Lumens: 3412	7.5	<b>41</b>	10.5	7.0
LPW: 73.0	10.0	<b>23</b>	14.0	9.3
	12.5	<b>15</b>	17.5	11.7
	15.0	<b>10</b>	21.0	14.0



**NOTES:**

Beam spread is to 50% center beam candlepower (CBCP)

D=Distance in feet to wall.

H=Distance in feet to floor

FC=Footcandles on floor or wall at center beam aiming location.

L =Effective Visual Beam length in feet (50% of maximum footcandle level.)

W=Effective Visual Beam width in feet (50% of maximum footcandle level.)

CB=Distance in feet across or down to center beam location.

**Note:** Due to constant changes in LEDs, please check our website for current product specifications.