

XACARA-L

WEB PIN™ I65



Optional bezel trim (BT)



Optional decorative disc (DD)



Direct/Indirect Illumination available



Optional ceiling mount (CM)

GENERAL SPECIFICATION

Body: Die cast aluminum and steel.

Finish: Powder coated.

Suspension: Three or four stainless steel aircraft cables.

Power cable: Silver braided.

Reflectors: Aluminum, specular finish with vertical facets.

Decorative disc (optional): 6mm/¼" green tint acrylic (faux glass) with a polished edge and a etched face.

Drivers: 120/277V electronic with 0-10V dimming (10%).

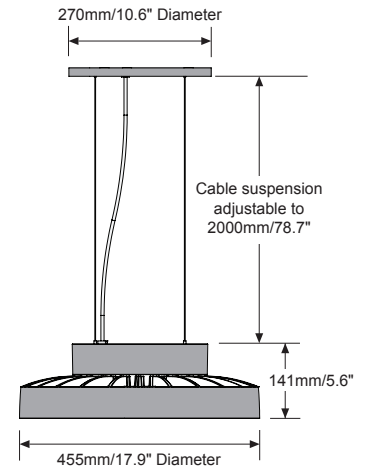
Weight: 13Kg/28.7lb

Approvals: UL, CSA.

DIRECT ILLUMINATION PENDANT

A SPECIFY LAMP TYPE

Code:	Lamp:	CCT:	CRI:	Delivered lms:	Efficacy LPW:	L70 @25°C:	Photometry:
50 1421	4 x 26W LED	3000K	80	6995	65.4	> 60,000	File# 50 1421
50 1422	4 x 26W LED	3000K	90	6092	56.9	> 60,000	File# 50 1422
50 1423	4 x 26W LED	3500K	80	7480	69.9	> 60,000	File# 50 1423
50 1424	4 x 26W LED	4000K	80	7880	73.6	> 60,000	File# 50 1424
50 1521	5 x 26W LED	3000K	80	8726	65.1	> 60,000	File# 50 1521
50 1522	5 x 26W LED	3000K	90	7600	56.7	> 60,000	File# 50 1522
50 1523	5 x 26W LED	3500K	80	9350	69.8	> 60,000	File# 50 1523
50 1524	5 x 26W LED	4000K	80	9850	73.5	> 60,000	File# 50 1524
50 1621	6 x 26W LED	3000K	80	10450	65.0	> 60,000	File# 50 1621
50 1622	6 x 26W LED	3000K	90	9100	56.5	> 60,000	File# 50 1622
50 1623	6 x 26W LED	3500K	80	11200	69.6	> 60,000	File# 50 1623
50 1624	6 x 26W LED	4000K	80	11800	73.3	> 60,000	File# 50 1624



B SPECIFY FINISH

- BL Black
- MS Metallic Silver
- WH White

C SPECIFY OPTIONS

- BT Bezel trim (711mm/28" DIA)
- CM Ceiling mount
- DA DALI dimming (*contact factory for availability*)
- DD Decorative disc (acrylic)
- EM Integral Emergency (*contact factory for availability*)
- 3 347V (*contact factory for availability*)

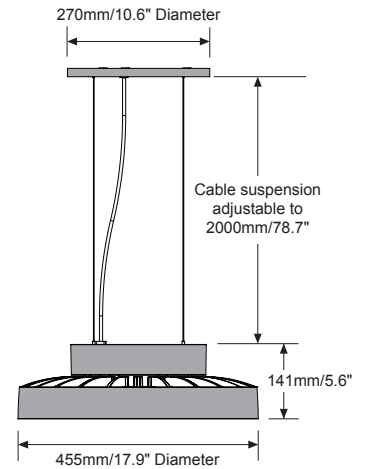
Example Specification Code: 50 1425 • BL • DD

Photometric testing performed using LM79 procedures.

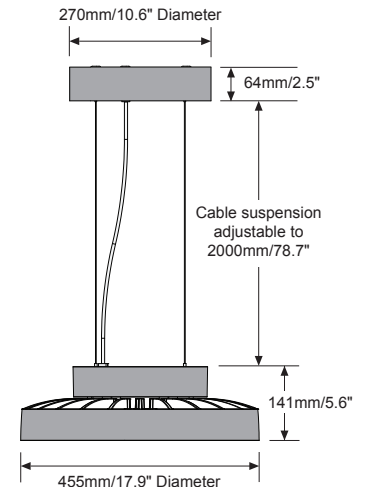
DIRECT ILLUMINATION PENDANT

A SPECIFY LAMP TYPE

Code:	Lamp:	CCT:	CRI:	Delivered lms:	Efficacy LPW:	L70 @25°C:	Photometry:
50 5421	4 x 28W LED	3000K	80	9000	80.6	> 140,000 hrs	File# 50 5421
50 5422	4 x 28W LED	3000K	90	7320	65.6	> 140,000 hrs	File# 50 5422
50 5423	4 x 28W LED	3500K	80	9680	86.7	> 140,000 hrs	File# 50 5423
50 5424	4 x 28W LED	4000K	80	9000	80.6	> 140,000 hrs	File# 50 5424
50 5425	4 x 28W LED	4000K	>70	10360	92.9	> 140,000 hrs	File# 50 5425
50 5521	5 x 28W LED	3000K	80	11260	80.6	> 140,000 hrs	File# 50 5521
50 5522	5 x 28W LED	3000K	90	9150	65.6	> 140,000 hrs	File# 50 5522
50 5523	5 x 28W LED	3500K	80	12100	86.7	> 140,000 hrs	File# 50 5523
50 5524	5 x 28W LED	4000K	80	11260	80.6	> 140,000 hrs	File# 50 5524
50 5525	5 x 28W LED	4000K	>70	12960	92.9	> 140,000 hrs	File# 50 5525
50 5621	6 x 28W LED	3000K	80	13500	80.6	> 140,000 hrs	File# 50 5621
50 5622	6 x 28W LED	3000K	90	10980	65.6	> 140,000 hrs	File# 50 5622
50 5623	6 x 28W LED	3500K	80	14525	86.7	> 140,000 hrs	File# 50 5623
50 5624	6 x 28W LED	4000K	80	13500	80.6	> 140,000 hrs	File# 50 5624
50 5625	6 x 28W LED	4000K	>70	15550	92.9	> 140,000 hrs	File# 50 5625



50 5631	6 x 40W LED	3000K	80	16200	62.3	> 100,000 hrs	File# 50 5631
50 5632	6 x 40W LED	3000K	90	13170	50.6	> 100,000 hrs	File# 50 5632
50 5633	6 x 40W LED	3500K	80	17430	67.0	> 100,000 hrs	File# 50 5633
50 5634	6 x 40W LED	4000K	80	16200	62.3	> 100,000 hrs	File# 50 5634
50 5635	6 x 40W LED	4000K	>70	18660	71.7	> 100,000 hrs	File# 50 5635



B SPECIFY FINISH

- BL Black
- MS Metallic Silver
- WH White

C SPECIFY OPTIONS

- BT Bezel trim (711mm/28" DIA)
- CM Ceiling mount
- DA DALI drivers (contact factory for availability)
- DX DMX drivers (contact factory for availability)
- DD Decorative disc (acrylic)
- EM Integral Emergency (contact factory for availability)
- 3 347V (contact factory for availability)

Example Specification Code: 50 5425 • BL • DD

Photometric testing performed using LM79 procedures.

The XACARA line of products are the subject of several pending U.S. Design Patent and Canadian Industrial Design Applications. EU Registered Design Application Pending.

Note: Due to constant changes in LEDs, please check our website for current product specifications.

DIRECT/INDIRECT ILLUMINATION PENDANT

A SPECIFY LAMP TYPE

Code:	LEDs:	CCT:	CRI:	Delivered lms:	Efficacy LPW:	L70 @25°C:	Photometry:
50 6421	4 x 28W down 1 x 28W up	3000K	80	9000 + 2250	80.6	> 140,000 hrs	File# 50 6421
50 6422	4 x 28W down 1 x 28W up	3000K	90	7320 + 1830	65.6	> 140,000 hrs	File# 50 6422
50 6423	4 x 28W down 1 x 28W up	3500K	80	9680 + 2420	86.7	> 140,000 hrs	File# 50 6423
50 6424	4 x 28W down 1 x 28W up	4000K	80	9000 + 2250	80.6	> 140,000 hrs	File# 50 6424
50 6425	4 x 28W down 1 x 28W up	4000K	>70	10360 + 2590	92.9	> 140,000 hrs	File# 50 6425
50 6521	5 x 28W down 1 x 28W up	3000K	80	11260 + 2250	80.6	> 140,000 hrs	File# 50 6521
50 6522	5 x 28W down 1 x 28W up	3000K	90	9150 + 1830	65.6	> 140,000 hrs	File# 50 6522
50 6523	5 x 28W down 1 x 28W up	3500K	80	12100 + 2420	86.7	> 140,000 hrs	File# 50 6523
50 6524	5 x 28W down 1 x 28W up	4000K	80	11260 + 2250	80.6	> 140,000 hrs	File# 50 6524
50 6525	5 x 28W down 1 x 28W up	4000K	>70	12960 + 2590	92.9	> 140,000 hrs	File# 50 6525
50 6621	6 x 28W down 1 x 28W up	3000K	80	13500 + 2250	80.6	> 140,000 hrs	File# 50 6621
50 6622	6 x 28W down 1 x 28W up	3000K	90	10980 + 1830	65.6	> 140,000 hrs	File# 50 6622
50 6623	6 x 28W down 1 x 28W up	3500K	80	14525 + 2420	86.7	> 140,000 hrs	File# 50 6623
50 6624	6 x 28W down 1 x 28W up	4000K	80	13500 + 2250	80.6	> 140,000 hrs	File# 50 6624
50 6625	6 x 28W down 1 x 28W up	4000K	>70	15550 + 2590	92.9	> 140,000 hrs	File# 50 6625

B SPECIFY FINISH

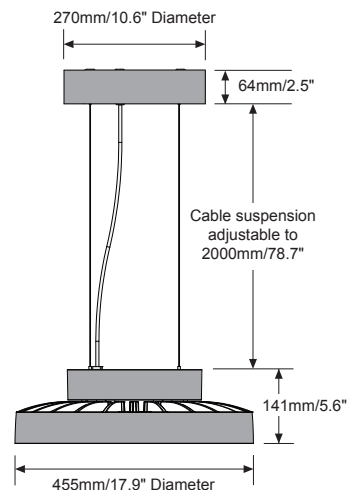
- BL Black
- MS Metallic Silver
- WH White

C SPECIFY OPTIONS

- BT Bezel trim (711mm/28" DIA)
- DA DALI drivers (*contact factory for availability*)
- DX DMX drivers (*contact factory for availability*)
- DD Decorative disc (acrylic)
- SS Separate switching

Example Specification Code: 50 6421 • BL • DD

Photometric testing performed using LM79 procedures.



The XACARA line of products are the subject of several pending U.S. Design Patent and Canadian Industrial Design Applications. EU Registered Design Application Pending.

Note: Due to constant changes in LEDs, please check our website for current product specifications.