

# BUBBLE 3D RGB

WEB PIN™ 259



*For illustrative purposes only.*

## GENERAL SPECIFICATION

**Housing:** Round metal frame consisting of modules combined together for electrical and mechanical connection. Bubble 3D supplied in the following diameters: 1000mm (39.4"), 1800mm (70.9") and 2800mm (110.0").

**Diffusers:** Injection molded, UV stabilized, opal polycarbonate. Diffusers are sectional with subtle but visible seams. Bubble 1000, 3 diffusers; Bubble 1800, 8 diffusers and Bubble 2800, 16 diffusers.

**Drivers/power supplies:** Luminaires supplied with remote electronic drivers/DMX interfaces, 120/277V. Connection of the power cords (approx. 12) to the remote drivers by others.

**Power cables:** Luminaires, supplied with 13.5m/35' of cable. Cables can be extended to a maximum overall distance of 20m/64'. Custom cable lengths can be supplied to special order.

**RGB control:** Luminaires require a DMX controller by others.

**Mechanical:** Luminaires mount directly over a junction box.

**Finish:** White RAL 9003.

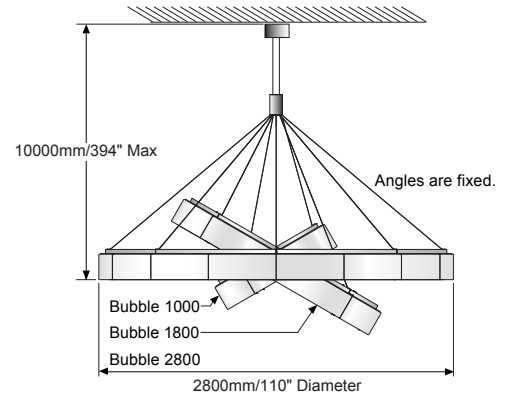
**Approvals:** ETL.

**A SPECIFY LAMP/LUMINAIRE TYPE**

**ADJUSTABLE PENDANT** Complete with suspension and power cable.

**Code:** **BC3DRGBP** **Lamp:** **LED RGB 264W + 156W + 80W,** **Weight:** **130kg/286.6lb**  
 3 x remote driver/power supplies included (see below).

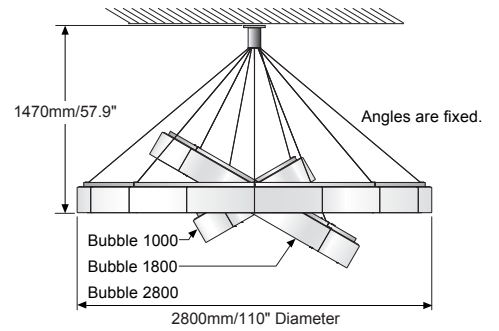
Composed of Bubble 2800 + Bubble 1800 + Bubble 1000 with suspended cables and canopy.  
 Positions fixed as per drawing (triple circuit).



**LOW PROFILE PENDANT** Complete with suspension and power cable.

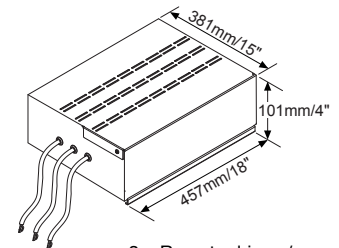
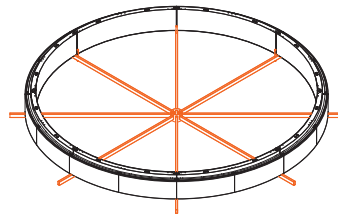
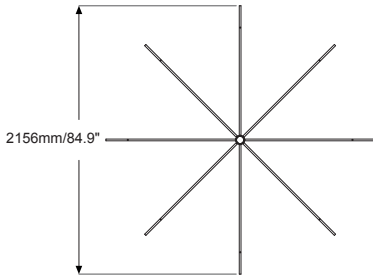
**Code:** **BC3DRGBLP** **Lamp:** **LED RGB 264W + 156W + 80W,** **Weight:** **130kg/286.6lb**  
 3 x remote driver/power supplies included (see below).

Composed of Bubble 2800 + Bubble 1800 + Bubble 1000 with suspended cables and canopy.  
 Positions fixed as per drawing (Triple circuit).



**B SPECIFY ACCESSORIES (REQUIRED)**

**150A031VE** Umbrella tool for assembly/installation of Bubble 2800. Retains structural integrity during the installation process (only one required).



3 x Remote drivers/power supplies included.