

BERT | FRANK

COLT TABLE LAMP

Specification Sheet

Description:

A machined brass grill lends an industrial feel to the sleek Colt Table Light. Featuring bronze inserts on the arm and opal diffusers for a soft, warm light, an inbuilt pen tray highlight Bert Franks signature attention to detail.

Light Source:

- 1x LED module = 15.6W 24V 2700K
- 1x LED driver supplied = 24V - 17W LED Plug In Driver
- Dimming options available

Voltage:

- UK/EU - 230V
- US - 110V

Metal Finish:

- Brass lacquered as standard

Weight:

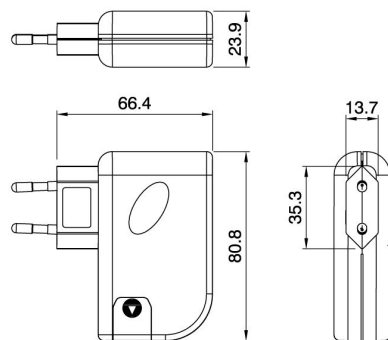
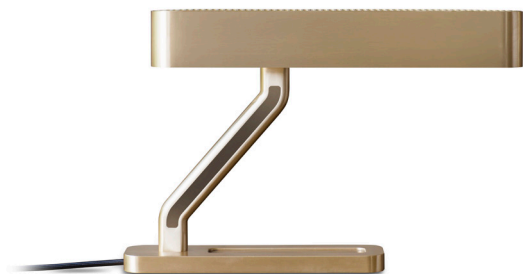
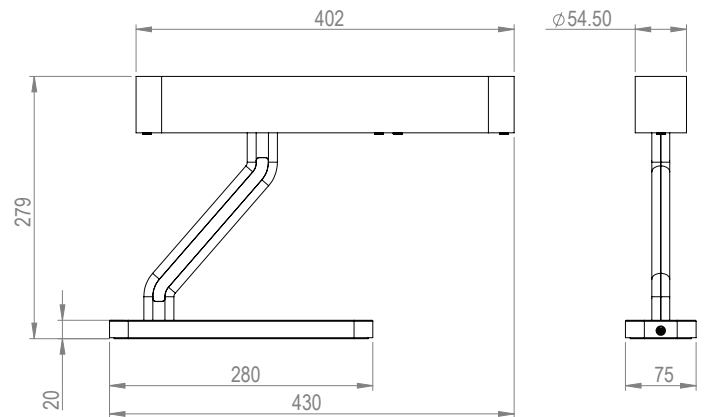
- 6.8kg

Flex:

- 2m fabric covered flex supplied as standard
- Longer flex available on request

Switch:

- Switch on flex



BERT | FRANK

COLT
PENDANT,
TABLE,
WALL

This luminaire is compatible with
bulbs of the energy classes:

A++ A+ A+ B C D E

A++ 4W G9 LED

874/2012