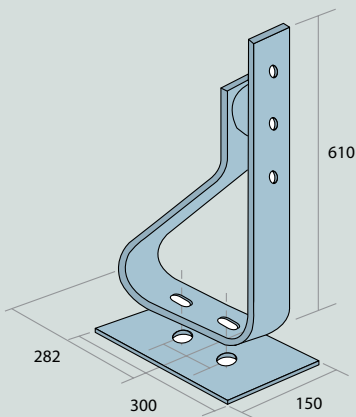
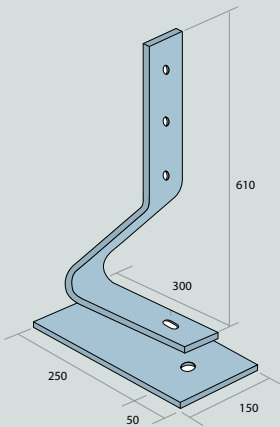


Technical drawings - floor mounted systems

Perimeter Systems



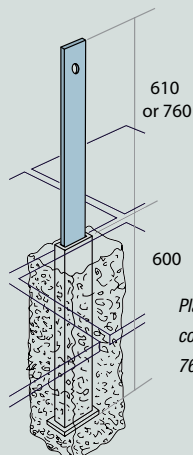
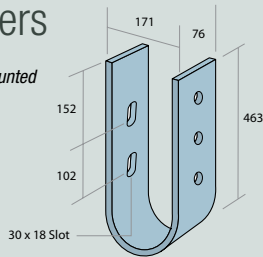
GH Type 76 x 10mm



RB1X Type 100 x 14.3mm
foot length 300mm

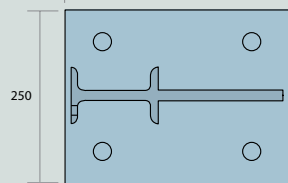
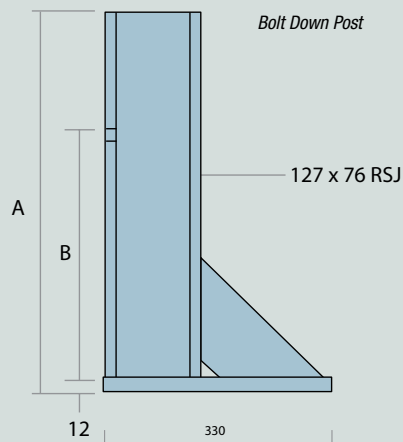
Others

Wall Mounted
WH



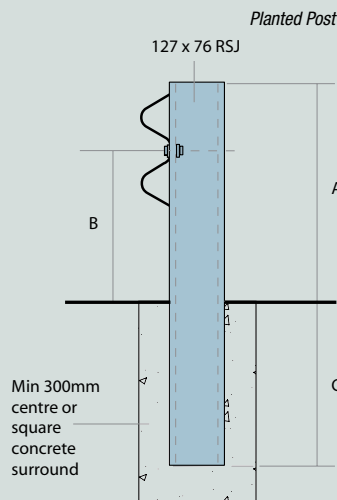
Planted Post Buffer
complete with Sheath
76 x 12.7mm

Rigid-Posts



P 224 Type 1*		P 224 Type 2	
A	B	A	B
610	440	760	570

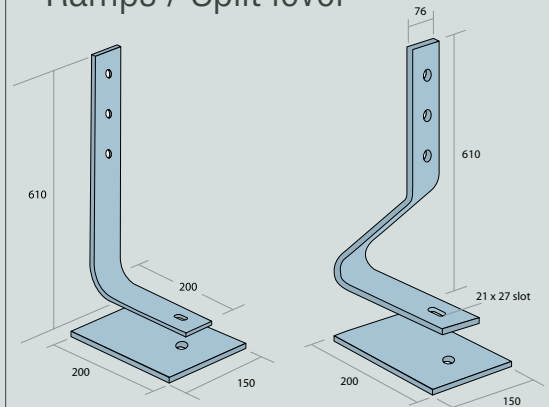
*Car park height



P 224 Type 3/1.1		
A	B	C
600	445	500

P 224 Type 3/1.5		
A	B	C
800	630	700

Ramps / Split level



RB1 Type 76 x 12.7mm

RB1X Type 76 x 12mm

Twice Force

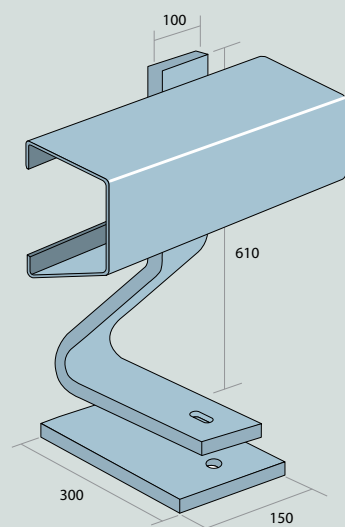
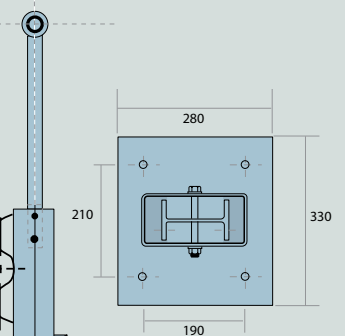
48 dia. Handrail Standards

Standard
Barrier Rail
(3200 length)

610/760 High
Flexi-Post

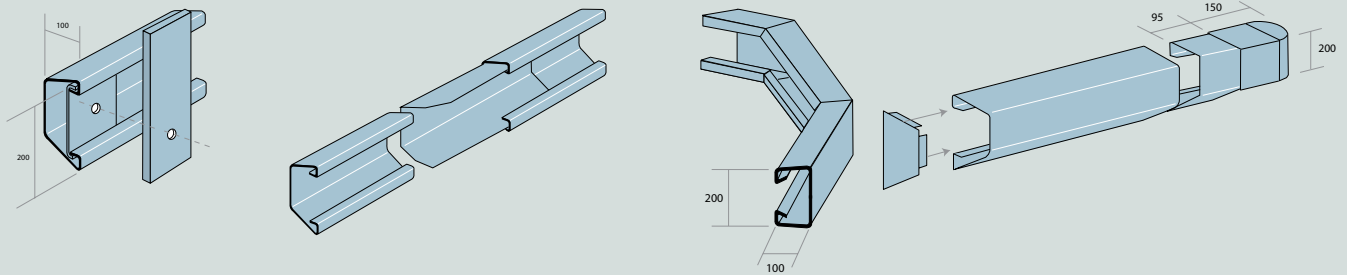
Rubber Shock
absorbers

Floor Level



RB1X Type 100 x 20mm with Open Box Beam

Berry Beam 3mm Galvanised Mild Steel. Available in 3000mm lengths.



3mm wall thickness,
available in 3000mm lengths

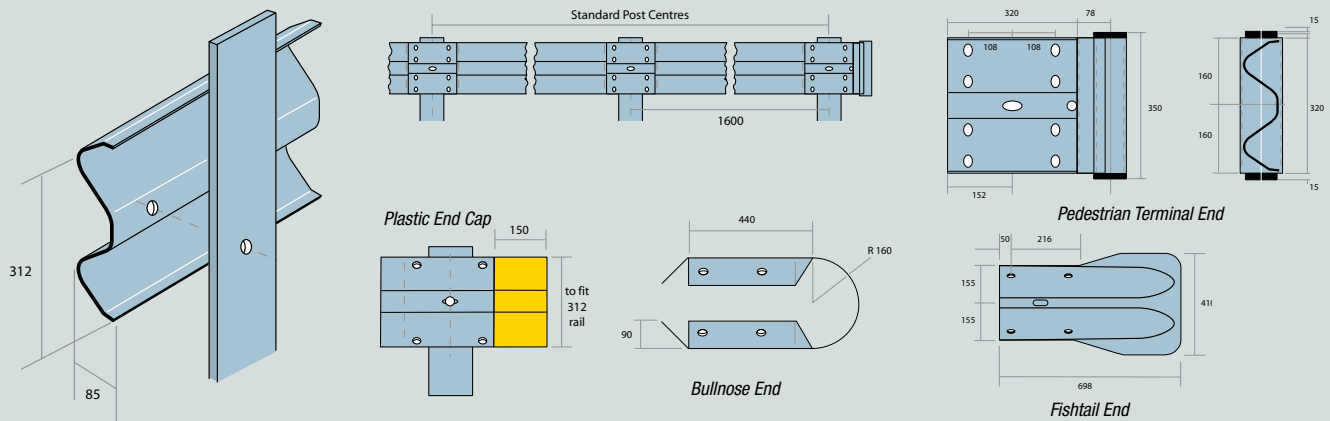
Connecting Spigot

External Corner

Flat and Round End Terminal

Barrier Rail 3mm Galvanised Mild Steel. Available in 3200mm and 1600mm* effective lengths.

*1600mm length can be 'adjusted' to account for small changes in floor angle.



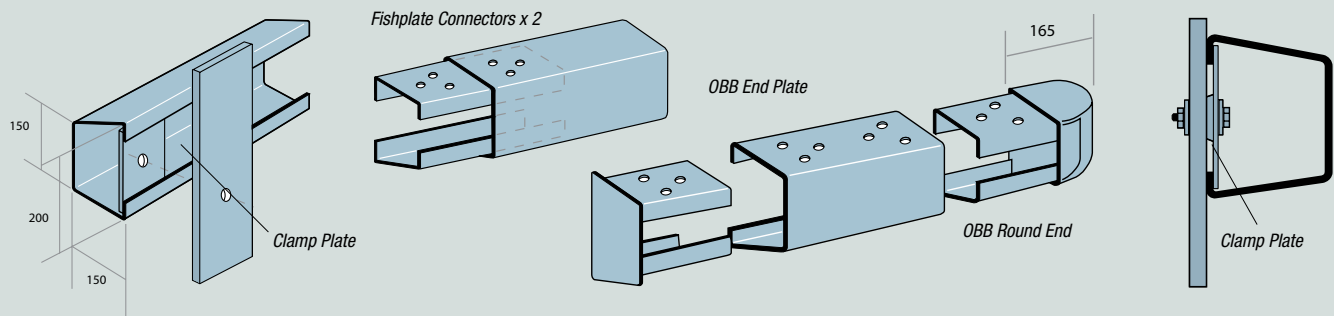
Plastic End Cap

Bullnose End

Pedestrian Terminal End

Fishtail End

Open Box Beam 5mm Galvanised Mild Steel. Available in 4800mm, 2400mm or 1200mm lengths.



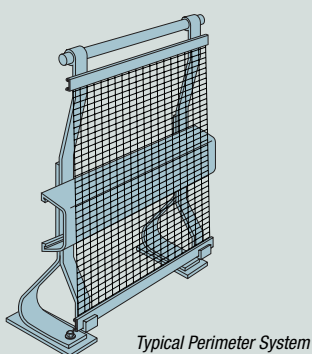
Fishplate Connectors x 2

OBB End Plate

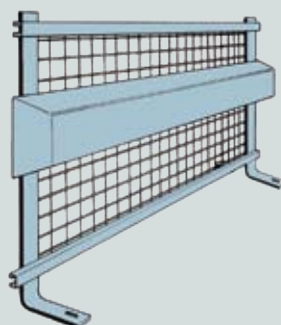
OBB Round End

Clamp Plate

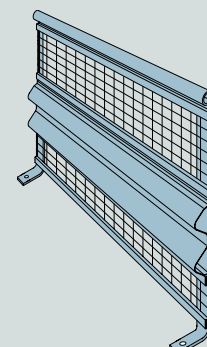
Typical Combination Solutions



Typical Perimeter System



Typical Split Level Protection



Typical Ramp System