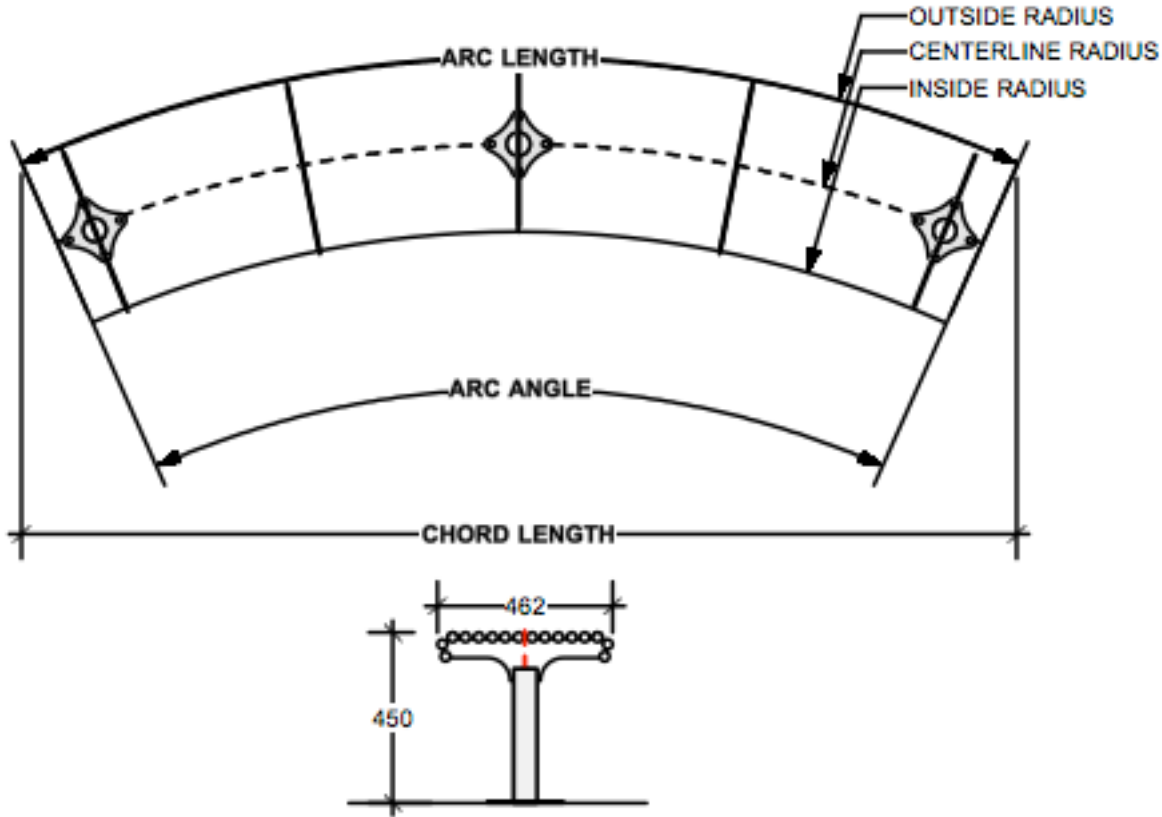
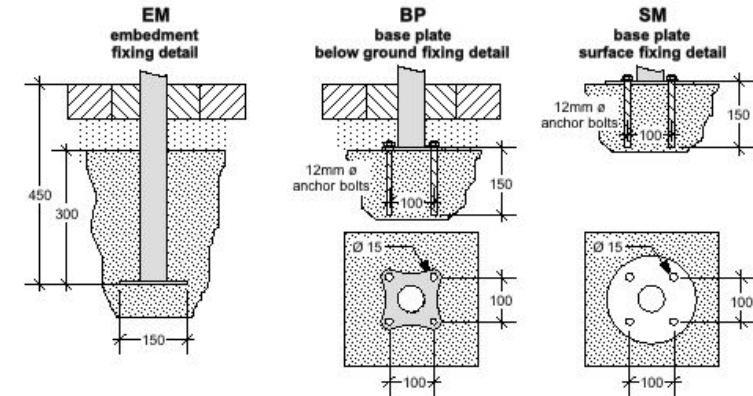


Centerline

CL008 bench



INSTALLATION METHODS



DIMENSIONS

LWH Radius as requested Width 462mm Height 450mm

FINISH CODES

PC Powder coating on galvanised steel

SS 316 stainless steel 320 grit

BD Bespoke dimensions available

INSTALLATION CODES

EM Embedment fixing

BP Base plate below ground fixing

SM Base plate surface fixing