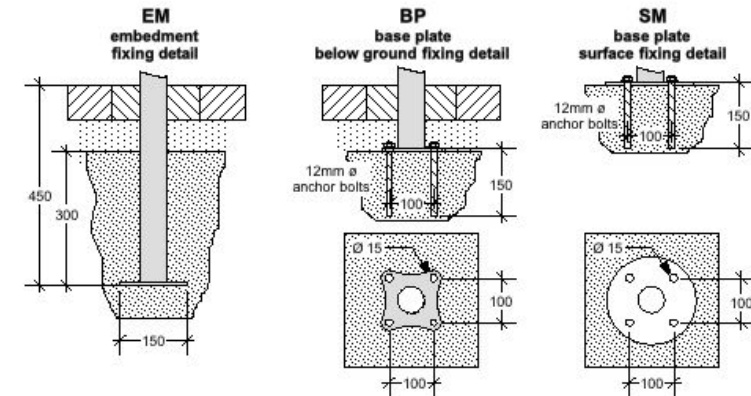


## INSTALLATION METHODS



## DIMENSIONS

LWH Length 600mm Width 600 Height 817mm

## EXTRAS

CP Anti skate – Composite finish

## FINISH CODES

PC Powder coating on galvanised steel

SS 316 stainless steel 320 grit

BD Bespoke dimensions available

## INSTALLATION CODES

EM Embedment fixing

BP Base plate below ground fixing

SM Base plate surface fixing