

Gas 210 Ace.

Specification guide

20% Hydrogen



 remeha

What's inside.

- 03 Remeha, the expert choice
- 03 Introducing the Remeha Gas 210 Ace range
- 04 Boiler construction
- 05 Operating principle
- 06 Technical information
- 08 Suggested engineering specification
- 09 Dimensions and connections
- 10 Maintenance and service clearances
- 11 Typical installations
- 13 Electrical connections
- 15 Fault reporting/outputs
- 16 Safety interlocks
- 17 Boiler controls
- 19 Flue options
- 23 Technical support and declaration of compliance

 20% Hydrogen



Remeha, the expert choice.

Complete commercial solutions from the experts in sustainable heating and hot water.

Choose Remeha's advanced commercial boilers for your next commercial project. We invest heavily in research and development which enables our specialist teams to design high-performance products at every level.

From using the latest materials and manufacturing techniques to meticulously designing and engineering each boiler, we ensure they're efficient to specify, install, run and maintain. All our boilers share the same simple design – so they're expandable, adaptable and future-proofed.

We're the experts in heating and hot water solutions, built with sustainable technology. Our teams will guide you through the right choices for your commercial heating and hot water project. So from specification to design, through to supply and installation, our customer service and product support is second to none.

Introducing the Remeha Gas 210 Ace Range.

The Gas 210 Ace range features compact, pre-assembled, freestanding, gas-fired high-efficiency condensing boilers (80, 120, 160 and 200kW models) – designed for central heating and indirect hot water production at working pressures not exceeding six bar.

The boilers are perfect for both new and retrofit applications and can be installed in most situations, thanks to their conventional and room-sealed flue capability. The small footprint and ability to be installed back-to-back make them ideally suited for modular configurations, while the secondary

return feature makes this model particularly suitable for use with both CT and VT circuits. An option of a low-level return, instead of a standard return into the top of the boiler, enables the boiler to use existing pipework in a plant room.

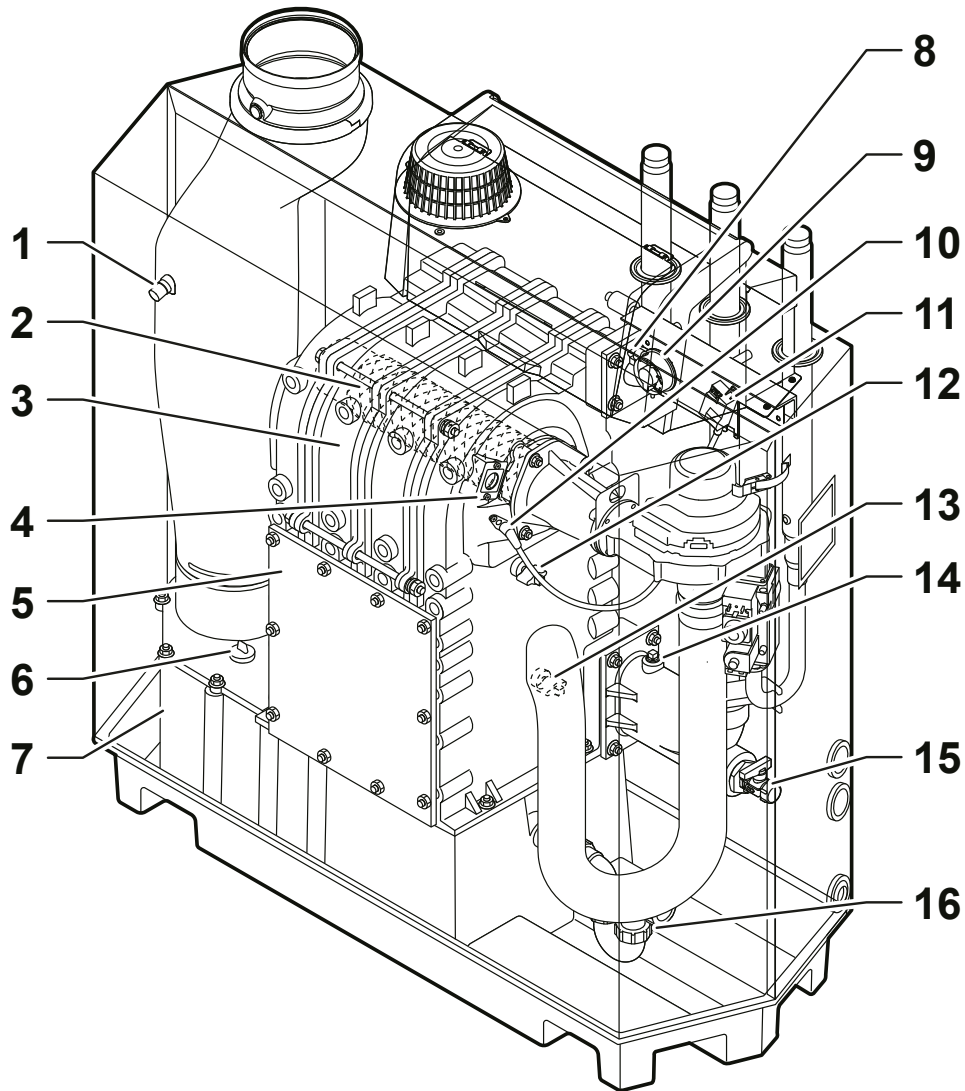
Each assembled boiler is finally checked on a test rig to ensure a dependable, accurate operation.

An optional Optimising Weather Compensating (OWC) control package ensures maximum efficiency.

Features and benefits

High-efficiency boiler >97.4% net	Higher than average energy savings
Compact, lightweight construction	Easy to install in smaller spaces; particularly suitable for retrofit applications
Ultra-low Class 6 NO _x emission levels – less than 38mg/kWh 0% O ₂ dry	Low pollutant emissions that meet environmental regulations including BREEAM and Clean Air Act
Premix down-firing gas burner, one-piece cast aluminium heat exchanger with ultra-low NO _x emissions	Clean, trouble-free operation and optimum combustion
Remeha's advanced boiler control includes: <ul style="list-style-type: none"> > modulating up to 18-100% (5:1) > compatible with Open Therm (OT) > 0-10V or volt free controls 	Built-in flexibility for easy installation and efficient, reliable heat delivery
Optional low-level second return kit	Particularly suitable for use with both CT and VT circuits
Quiet operation <59 dB(A)	Improved comfort

Gas 210 Ace boiler construction.



Key

1	Flue gas temperature sensor	9	Air pressure differential switch
2	Burner	10	Ignition/ionisation electrode
3	Heat exchanger	11	Ignition/ionisation transformer
4	Flame-inspection glass	12	Heat exchanger temperature sensor
5	Inspection cover	13	Return temperature sensor
6	Condensate collector cap	14	Water pressure sensor
7	Condensate collector	15	Fill and drain valve
8	Flow temperature sensor	16	Trap

Gas 210 Ace

operating principle.

Combustion air is drawn into the closed air box through the air inlet from the plant room (open flued), or from outside via the concentric flue system (room sealed) by a variable speed fan.

The inlet side of the fan is fitted with a Venturi, where air and gas are mixed according to a fixed ratio. This ensures precise combustion.

This mixture is initially ignited by the combined ignition/ionisation probe which monitors the state of the flame. If the flame is unstable or doesn't ignite within the pre-set safety time cycle, the controls will shut the boiler down (after five attempts) and the boiler will need to be manually reset. The digital display will indicate a flashing fault code confirming the reason for the failure.

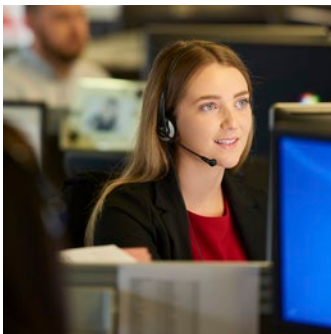
The products of combustion, in the form of hot flue gases, are forced through the heat exchanger transferring their heat to the system water (the flue gas temperature is reduced to approximately 5°C above the temperature of the system return water), then discharged vertically via the condensate collector, through the 150mm connection to the atmosphere.

Because of the low flue gas exit temperature, a vapour cloud will form at the flue gas terminal – this is water vapour formed during the combustion process.

If the controls allow the flow and therefore return temperature to fall below dew point (55°C), this water vapour will begin to condense in the boiler, transferring its latent heat into the system water, increasing the output of the boiler without increasing the gas consumption.

Condensation formed within the boiler and flue system is discharged from the boiler to an external drain via the drain pan and siphon supplied.

As an option, the boiler can be supplied with a second (fixed temperature) return connection. This additional connection enables the boiler to make full use of its condensing ability whilst accepting both fixed and variable temperature returns from the same system.



Gas 210 Ace

technical information.

	Gas 210 Ace 80/3 Sections	Gas 210 Ace 120/4 Sections	Gas 210 Ace 160/5 Sections	Gas 210 Ace 200/6 Sections
Performance				
Nominal heat output central heating operation @ 80/60°C kW (min-max)	18-87	22-120	29-166	39-200
Nominal heat output central heating operation @ 50/30°C kW (min-max)	20-93	24-129	33-179	44-217
Nominal input (Hi) (min-max)	19-89	23-123	31-170	41-205
Efficiency				
SBEM seasonal efficiency GCV	95.8%	95.66%	95.5%	95.74%
Efficiency – full load 100% NCV	97.4%	97.5%	97.5%	97.6%
Efficiency – part load 30% NCV	108.6%	108.1%	108.3%	108.4%
ECO design useful efficiency @ 80/60% (100% full load) GCV	87.7%	87.8%		
ECO design useful efficiency @ 50/30% (30% part load) GCV	97.7%	97.5%	97.3%	97.6%
Gas				
Standard fuel	Natural gas	Natural gas	Natural gas	Natural gas
Optional fuel adjustment – see installation and service manual	LPG (propane)	LPG (propane)	LPG (propane)	LPG (propane)
Max gas consumption NG m ³ /h	9.4	13	18	21.7
Max gas consumption LPG m ³ /h	3.6	4.8	7	8.4
Min/max gas inlet pressure NG mbar	17-25	17-25	17-25	17-25
Min/max gas pressure LPG mbar	37-50	37-50	37-50	37-50
Gas connection size BSP inches	1¼" Male thread	1¼" Male thread	1¼" Male thread	1¼" Male thread
Flame protection	Ionisation	Ionisation	Ionisation	Ionisation
Ignition	Electronic	Electronic	Electronic	Electronic
Flue (supplied as standard for conventional flue, option for room sealed available)				
Flue diameter mm I/D	150	150	150	150
Air inlet diameter mm I/D	150	150	150	150
Mass flue gas flow rate kg/h	27-150	37-197	39-287	65-345
Max counter pressure PA	130	130	130	130

Gas 210 Ace

technical information.

	Gas 210 Ace 80/3 Sections	Gas 210 Ace 120/4 Sections	Gas 210 Ace 160/5 Sections	Gas 210 Ace 200/6 Sections
Performance				
Water content litres	12	16	20	24
Hydraulic resistance @ 20°C ΔT mbar	165	135	170	180
Hydraulic resistance @ 11°C ΔT mbar	549	449	566	599
Nominal flow rate @ 20°C ΔT l/s	1.04	1.43	1.98	2.38
Nominal flow rate @ 11°C ΔT l/s	1.89	2.61	3.61	4.33
Minimum flow rate l/hr	1120	1486	2142	2585
Condensate connection	32mm OD	32mm OD	32mm OD	32mm OD
Connection size BSP	1¼" Male thread	1¼" Male thread	1¼" Male thread	1½" Male thread*
Standard operating temperature °C	20-90	20-90	20-90	20-90
Max operating temperature °C	90	90	90	90
High limit temperature °C	110	110	110	110
Max water operating pressure bar	6	6	6	6
Min water operating pressure bar	0.8	0.8	0.8	0.8
General				
Dry weight kg	115	135	165	188
Dimensions (WxHxD)	1190 x 1368 x 450	1190 x 1368 x 450	1190 x 1368 x 450	1190 x 1368 x 450
NO _x (Dry, 0% O ₂) mg/kWh	33	35	38	37
Noise levels dB(A) at 1 metre	<59	<59	<59	<59
ECO Design Sound Power Levels LWA indoors dB	67	67	67	67
Standby heat loss kWh/24hr	0.21	0.21	0.21	0.21
Electrical				
Nominal power supply	230v x 1ph x 50hz	230v x 1ph x 50hz	230v x 1ph x 50hz	230v x 1ph x 50hz
Power consumption w	26-103	28-167	49-196	48-306
Modulating input v dc	0-10	0-10	0-10	0-10
Fuse rating amps	6.3	6.3	6.3	6.3
Controls voltage	24 (max 4va)	24 (max 4va)	24 (max 4va)	24 (max 4va)
Insulation class IP	IPX1**	IPX1**	IPX1**	IPX1**

* With supplied 11/4" > 11/2" reducer bushings

** IP20 when appliance is fitted with a B23 conventional flue

Suggested engineering specification

Gas 210 Ace.

Construction

The boiler will be a pre-assembled, freestanding, gas-fired, high-efficiency condensing boiler. The sectional cast-aluminium heat exchanger and other major components will be contained within a sealed air box. This forms the main boiler casing with a removable front panel section for maintenance purposes. All electrical and electronic controls are contained within the instrument panel mounted on top of the boiler. The boiler is checked in production by a test rig to ensure its proper operation.

Hydraulic, Gas and Flue Connections

The flue gas outlet, combustion air inlet, flow, return and gas connections are located on the top of the boiler with a condensate connection and optional return connection at low level on the right-hand side. The boiler shall be suitable for room-sealed or open-flue applications. The boiler is able to operate up to working pressures not exceeding six bar with a minimum 0.8 bar required.

Operation

The boiler comes complete with a modulating control system that limits the maximum difference in temperature between the heating flow and return, and the maximum speed at which the flow temperature increases. It also comes complete with a pre-mix burner (NG or LPG) with the gas/air ratio control system controlled internally. An intelligent, advanced boiler control continuously monitors the boiler conditions, varying the heat output to suit the system load. The control reacts to external negative influences in the rest of the system (flow rates and air/gas supply problems) maintaining boiler output for as long as possible without resorting to a lock-out condition. Should a negative effect happen in the system the boiler reduces its output and/or shuts down (shut-off mode), awaiting the negative conditions to return to normal before restarting. The control cannot override the standard flame safety controls. Standard frost protection will activate below 7°C with stage one activating the system/shunt pump. Stage two activates below 3°C with the boiler switching on to 10°C flow.

Controls

The boiler includes a controls package that allows the actual and set values to be read and adjusted on the built-in digital display, which also provides normal operating and fault code indication. The controls come as standard with the following:

- > 0-10V input (flow or load control)
- > Common alarm
- > High-limit lock-out
- > External gas valve control (optional)
- > Low-water protection
- > Frost protection
- > External pump control
- > Hydraulic pressure sensor (optional)
- > Shutdown interlock
- > Min-gas pressure switch (optional)
- > Release input
- > Volt-free (enable signal)
- > Open therm control
- > Cascade control (optional)
- > System zone, valve and pump control (optional)
- > Modbus connectivity (optional)
- > Bluetooth connectivity

Features

- > Ultra-low NO_x ≤38mg/kWh
- > Modulating 18-100% (5:1)
- > Quiet operation <59dB(A)
- > Data file for storing fault/run info
- > ErP compliant
- > PC connection
- > Premix burner

The boiler meets the requirements of the following EC regulations and directives:

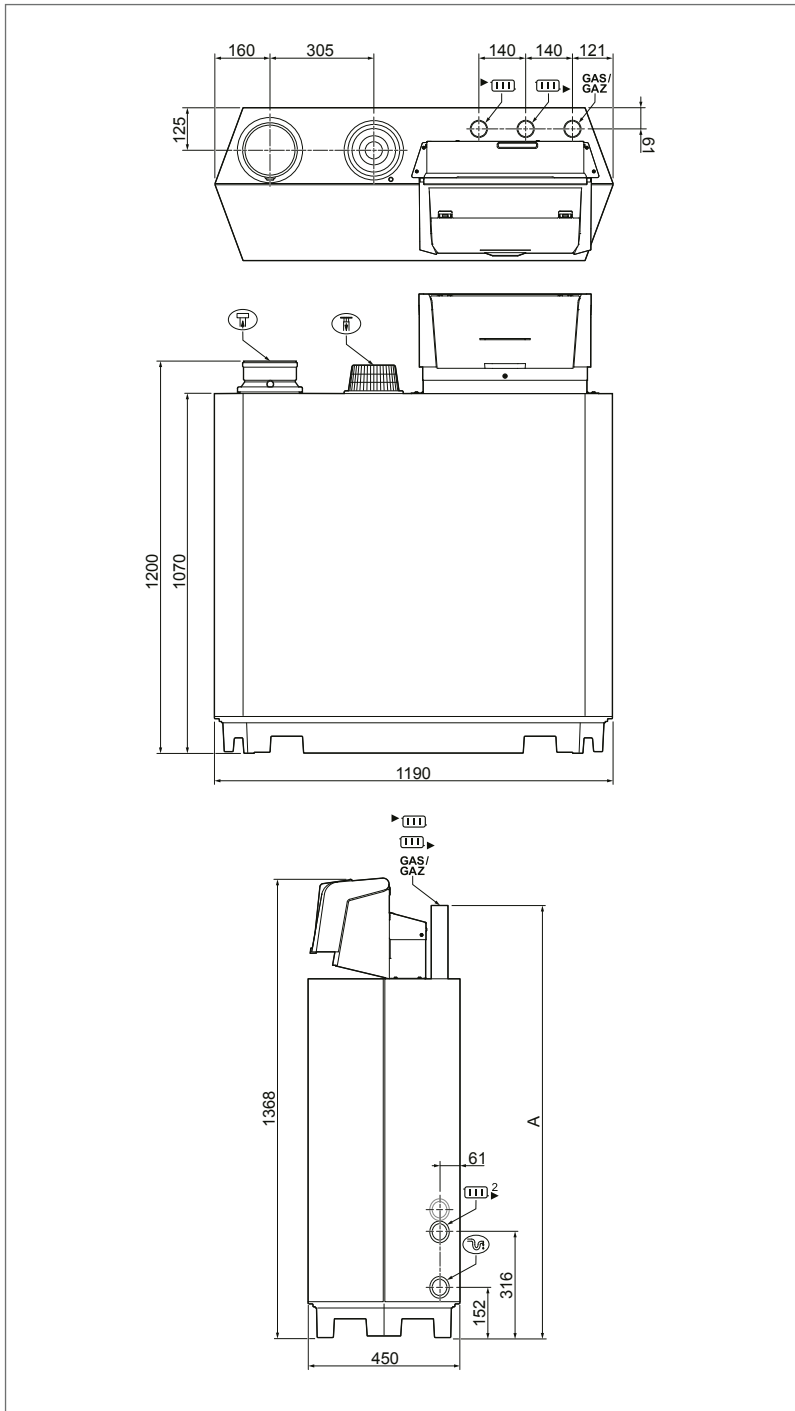
- > (EU) 2016/426 Gas Appliance Regulations
- > 92/42/EU Boiler Equipment Directive
- > 2014/30/EU EMC Directive
- > 2014/35/EU Low Voltage Directive
- > 2009/125/EC ErP, Product Identification Number CE 0085BS0132

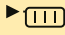





Gas 210 Ace

dimensions and connections.

The small footprint of the Gas 210 Ace range and its space-saving configurations make it particularly suitable for retrofit applications.

Gas 210 Ace dimensions and connections



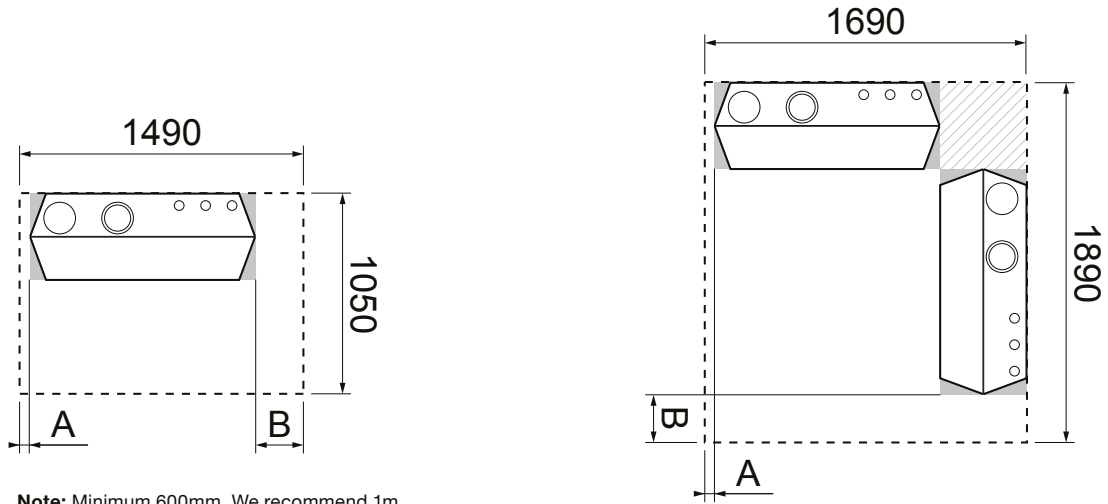
	80, 120, 160	200
	1 1/4" male thread	1 1/2" male thread ⁽¹⁾
	1 1/4" male thread	1 1/2" male thread ⁽¹⁾
GAS/ GAZ	1 1/4" male thread	1 1/4" male thread
	Ø 32mm external	Ø 32mm external
	Ø 150mm	Ø 150mm
	Ø 150mm	Ø 150mm
A	1309mm	1324mm ⁽²⁾
	1 1/4" male thread	1 1/4" male thread

(1) Attach supplied 1 1/4" > 1 1/2" reducer bushing.

(2) With supplied 1 1/4" > 1 1/2" reducer bushings.

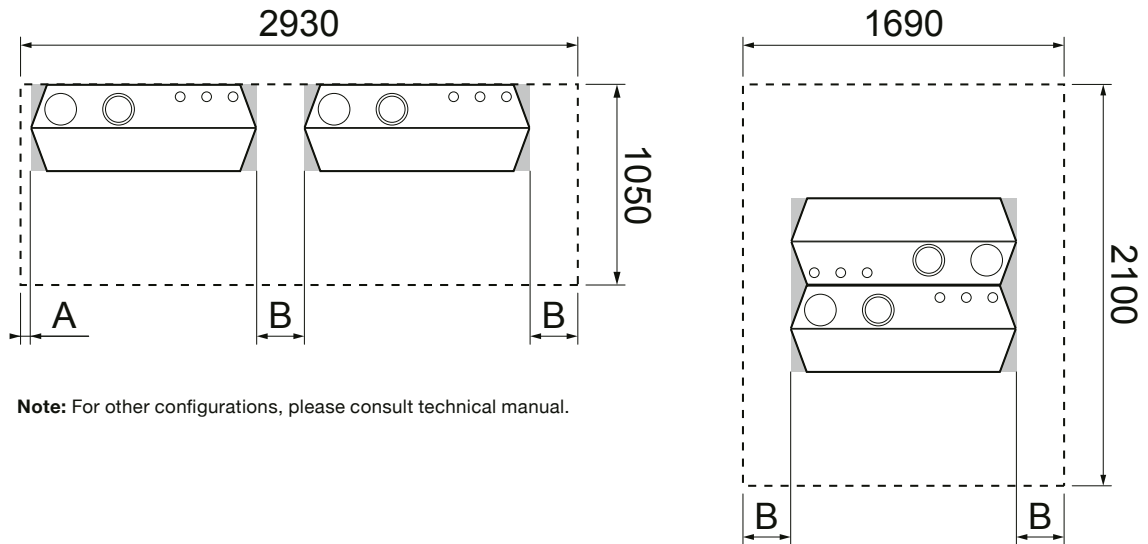
Maintenance and service clearances.

Layout and service clearances



Note: Minimum 600mm. We recommend 1m.

Maintenance area for two boilers side by side.



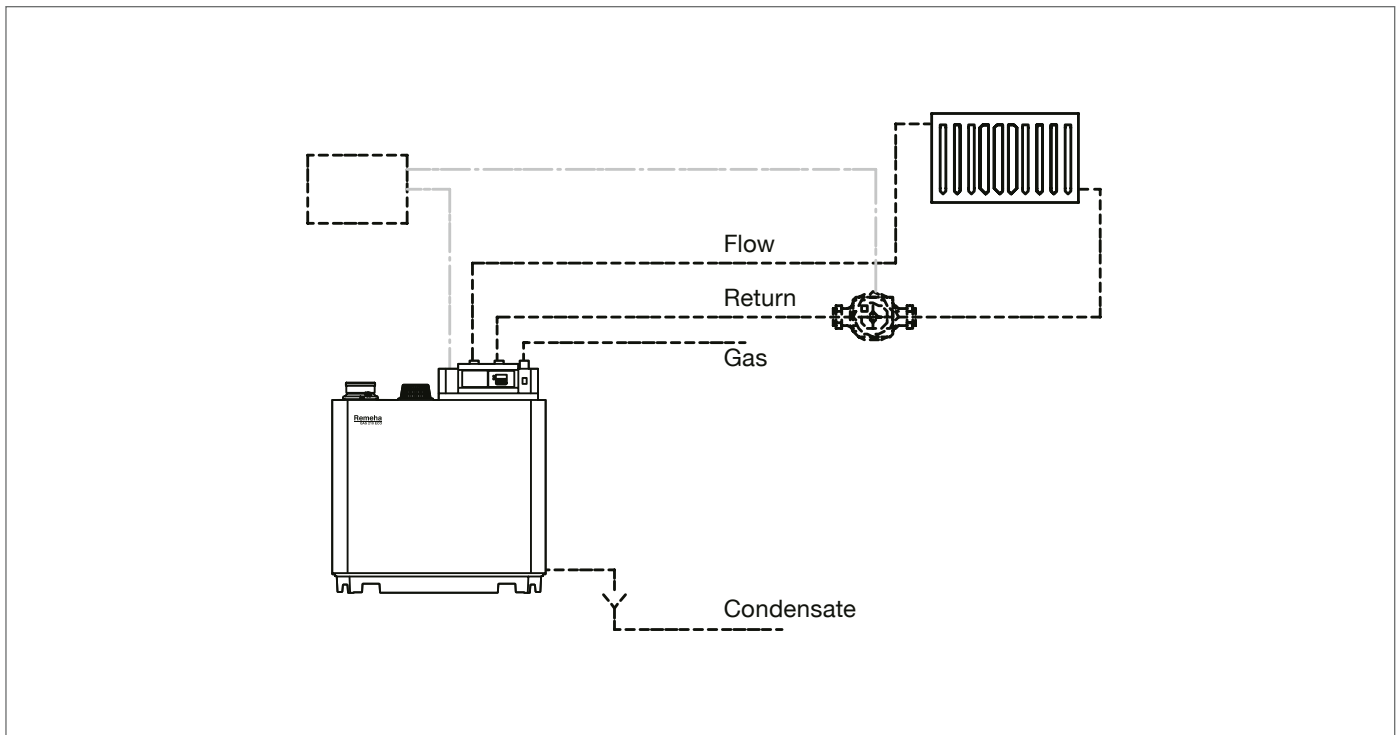
Note: For other configurations, please consult technical manual.

- A:** Clearance of 50 mm needed on the left side of the boiler
- B:** Clearance of 250 mm needed on the right side of the boiler

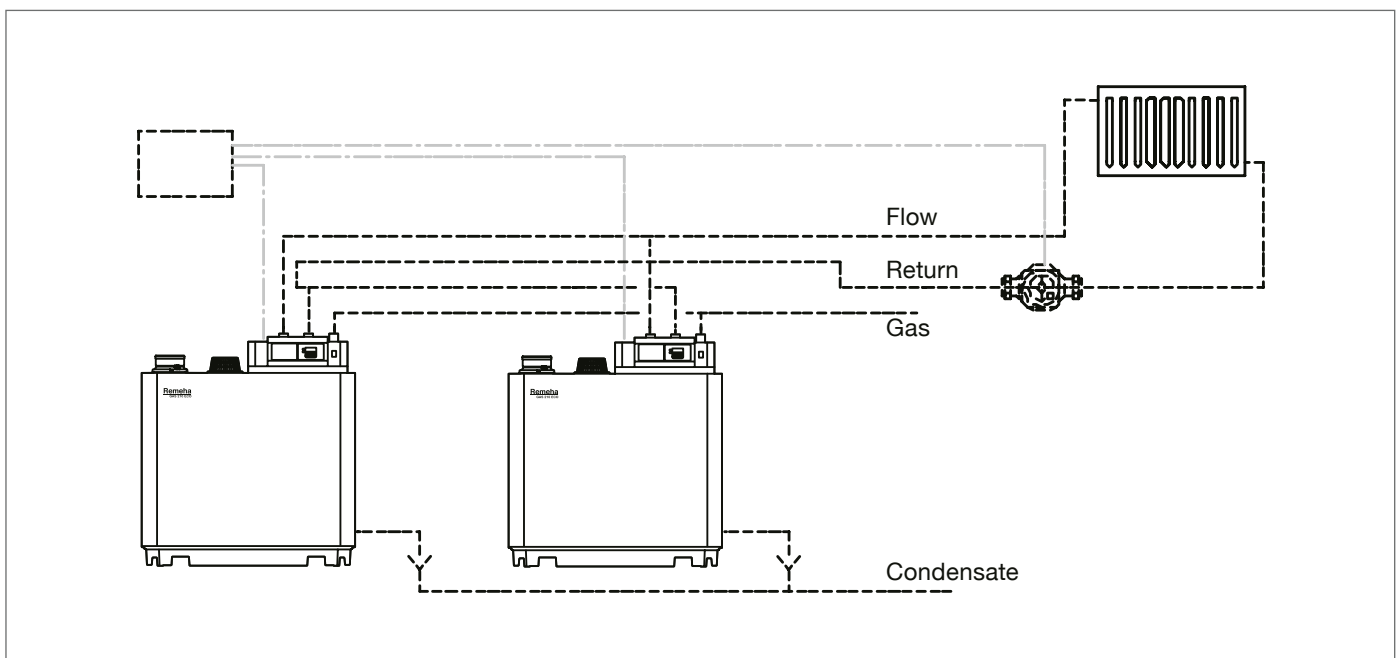
All dimensions in mm.

Typical installations.

Single boiler

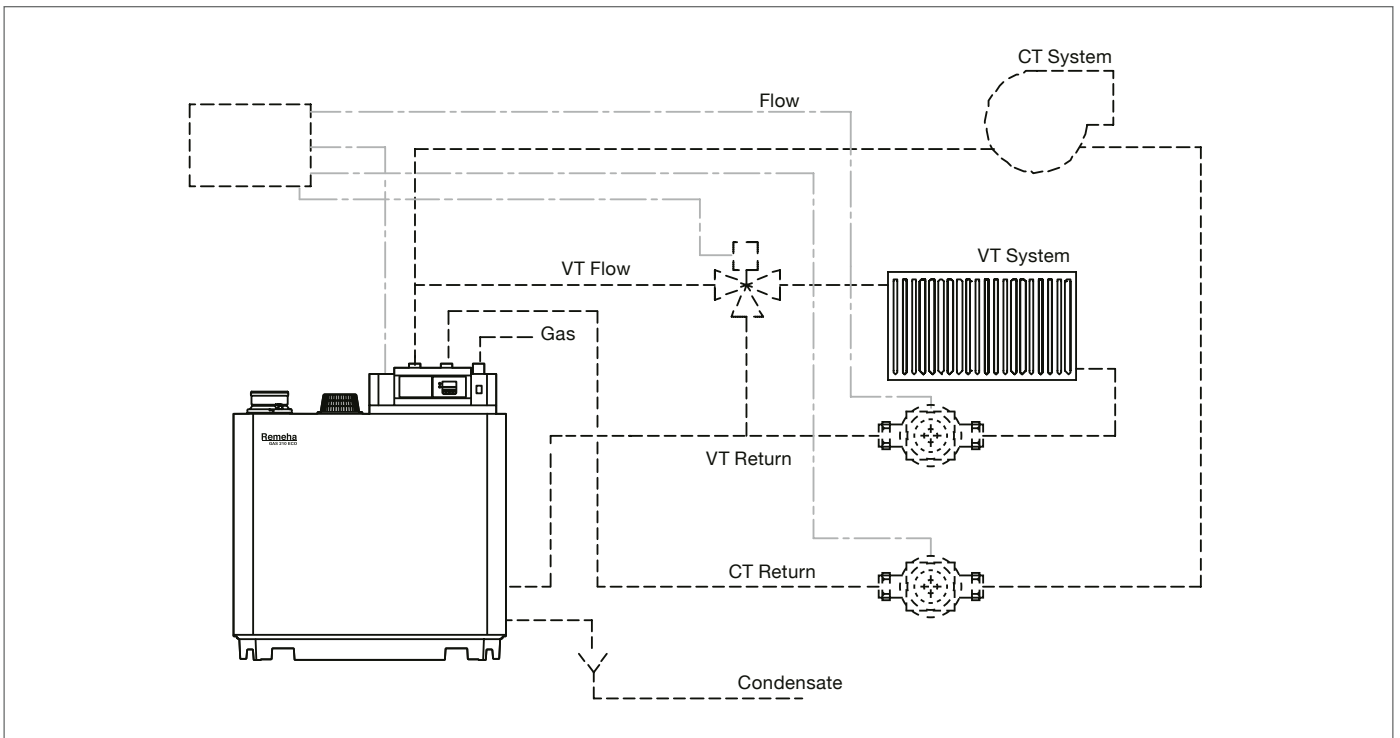


Multiple boiler

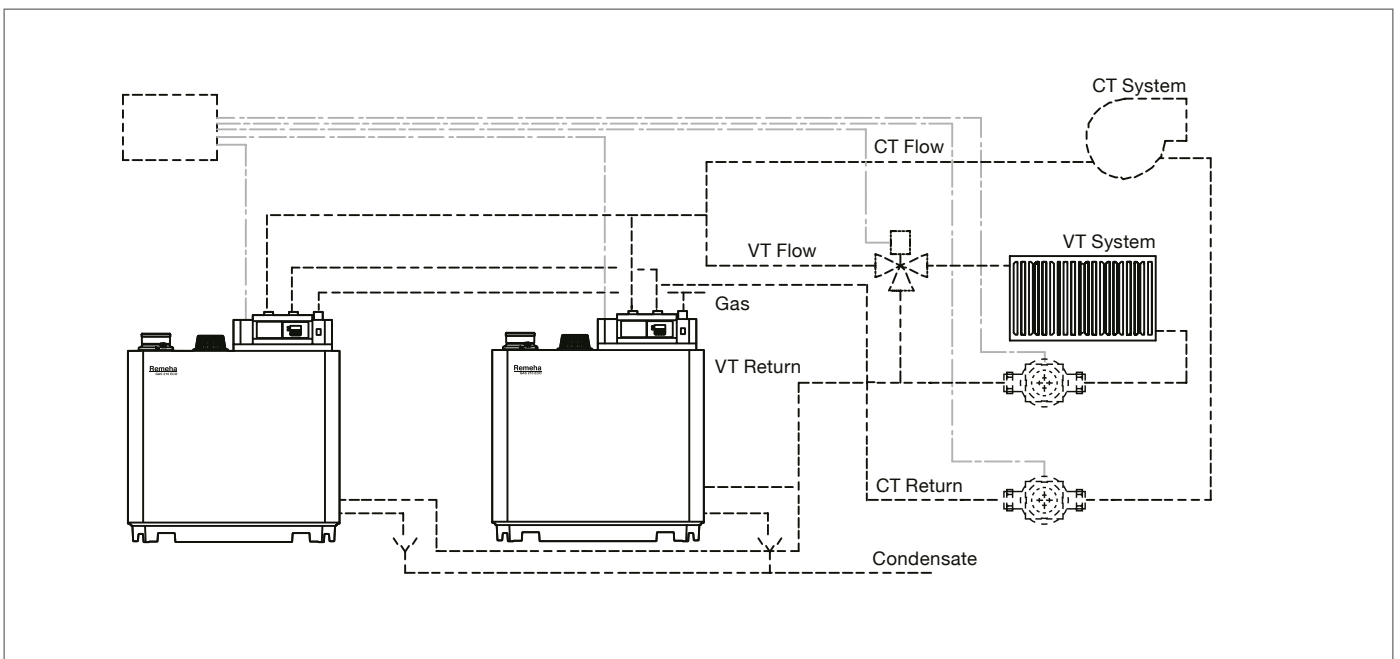


Typical installations.

Single boiler using the optional second return connection (VT)



Multiple boiler using the optional second return connection (VT)



Note: Second return for variable temperature or low level return in place of high level return.

Electrical connections and controls.

General

General specifications apply to the Gas 210 Ace. The Gas 210 Ace boiler is supplied as standard with electronic operating and flame ionisation safety controls with a specially designed microprocessor at the heart of the system. The boilers are pre-wired. All external connections can be made on the terminal strips.

Power supply

The boilers are suitable for a 230V-50Hz supply with phase/neutral/earth. Other connection values are only acceptable if an isolating transformer is installed. The boilers are sensitive to phase/neutral and therefore have a facility to ensure that phase and neutral are correctly connected.

Automatic controls

The Gas 210 Ace has a unique boiler code. This together with other data (incl. boiler type, counter readings) is stored in a code-key that belongs to the boiler. If the control unit is replaced, the counter readings remain stored in the code-key.

Temperature control

The boiler is equipped with electronic temperature control based on flow, return, and boiler block temperature sensors. The flow temperature can be set between 20 and 90°C. The boiler reduces its power when the set outlet-temperature is attained. The cut-out temperature is the set heating outlet temperature + 5°C.

Low water level protection (flow and content)

The boiler is fitted with a low water pressure safety device to protect the boiler from a shortage of water. The boiler is inhibited when the system pressure drops to 0.8 bar and will not operate again until it achieves 1 bar.

The boiler shall be equipped with multiple sensors to detect and respond on low to no-flow conditions. Using an in-built PI control, the boiler maintains active control during flow variations. This ensures that during temperature-related stop conditions the boiler will immediately respond when heat is required. This also protects the heat exchanger if a zero flow condition occurs during normal operation.

High limit protection

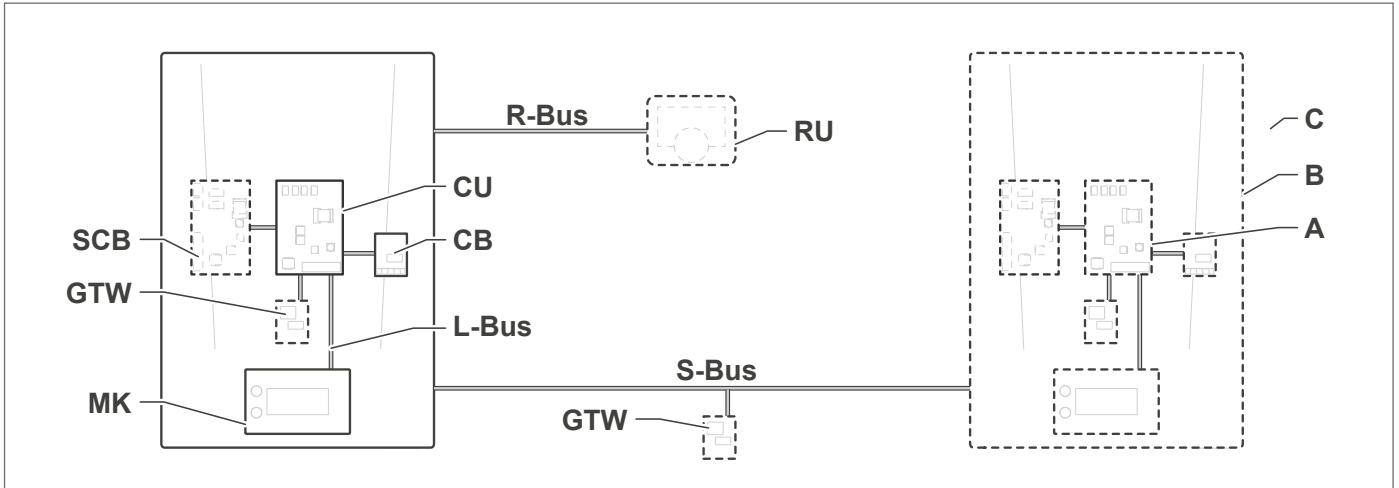
The maximum protection switches the boiler off if the water temperature is too high (110°C) and locks it on the control box (the minimum off time is preset to a fixed value (of *1 second). Once the fault has been rectified, the boiler can be reset by pressing the reset button for two seconds.

For further information please refer to the Installation and User Manual at remeha.co.uk

Electrical connections and controls wiring layout.

The Gas 210 Ace boiler is equipped with the e-Smart controls platform. This is a modular system, and offers compatibility and connectivity between all products that make use of the same platform.

Electrical diagram



Item	Description	Function
CU	Control Unit	The control unit handles all basic functionality of the appliance
CB	Connection Board: Connection PCB	The connection PCB provides easy access to all connectors of the control unit
SCB	Smart Control Board: Expansion PCB	An expansion PCB provides extra functionality, like an internal calorifzone
GTW	Gateway: Conversion PCB	A gateway can be fitted to an appliance or system, to provide one of the following: <ul style="list-style-type: none"> > Extra (wireless) connectivity > Service connections > Communication with other platforms
MK	Control Panel: Control panel and display	The control panel is the user interface to the appliance calorifzones
RU	Room Unit: (for example, a thermostat)	A room unit measures the temperature in a reference room
L-Bus	Local Bus: Connection between devices	The local bus provides communication between devices
S-Bus	System Bus: Connection between appliances	The system bus provides communication between appliances
R-Bus	Room Unit Bus: Connection to a room unit	The room unit bus provides communication to a room unit
A	Device	A device is a PCB, control panel or a room unit
B	Appliance	An appliance is a set of devices connected via the same L-Bus
C	System	A system is a set of appliances connected via the same S-Bus

Specific devices delivered with the Gas 210 Ace boiler can be found within the installation and user manual located at remeha.co.uk

Gas 210 Ace

fault reporting/outputs.

The Gas 210 Ace is complete with the SCB-01 as standard. This board allows for fault reporting via the 2 x status relays and pump control or modular reporting via the 1 x 0-10V output.

Status relay

The status relay can be used in a normally open (NO) or normally closed (NC) configuration for activation. The main functions are as follows (please see the installation manual for more options):

- > Boiler alarm
- > Burner on/off
- > Service required
- > Boiler on (run)
- > Boiler is in locking or blocking state

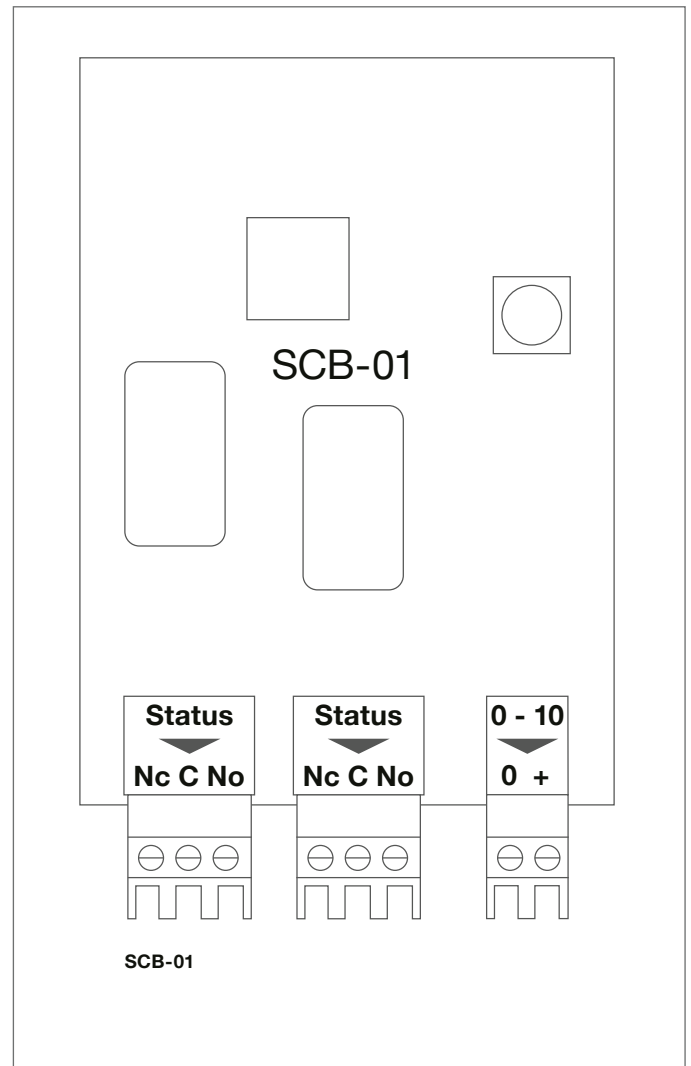
0-10V output

The 0-10V output can be used to control:

- > Modulate Wilo/Grundfos pump speed
- > PWM signal for UPMXL pump

0-10V output can also report:

- > Boiler PWM
- > Boiler actual power %



Safety interlocks.

This applies to the Gas 210 Ace.

The boilers are supplied with two interlocks as standard.

Blocking input

The boiler has a blocking input. A potential-free contact can be connected to the BL terminals of the connector. If the contact is opened, the boiler will be blocked from firing:

Change the function of the input using parameter AP001. The parameter has the following 3 configuration options:

- 1 Complete blocking: no frost protection with the outdoor sensor and no boiler frost protection (no pump and no burner start)
- 2 If the contact is closed when there is no heat demand, the boiler will be blocked after a waiting time. The waiting time of the input can be changed using Parameter AP008
- 3 Lock out: no frost protection (similar to 1) requires a manual reset

Release input

The boiler has a release input. A potential-free contact can be connected to the RL terminals of the connector:

- 1 If the contact is closed during a heat demand, the boiler will be blocked immediately
- 2 If the contact is closed when there is no heat demand, the boiler will be blocked after a waiting time. The waiting time of the input can be changed using Parameter AP008

Hydraulic pressure sensor

The hydraulic pressure sensor registers the water pressure and can shut the boiler down when the minimum water pressure is reached. To activate this blocking option, a minimum pressure must be set with the boiler parameters.

SCB-01

The boiler is supplied as standard with an SCB-01, the SCB-01 has the following features:

- 1 Two potential-free contacts for status notifications
- 2 0-10V output connection for a PWM pump

The two potential-free contacts can be configured as required by using Parameters EP018 and EP019.

Maximum voltage 230vac maximum current 1 amp.

Optional accessories

- › Hydraulic pressure sensor
- › Minimum gas pressure switch
- › Second return
- › Cleaning tool
- › Water pressure sensor
- › Gas leak switch (VPS)
- › Air filter
- › Recom kit
- › Combined roof flue kit

Boiler Pump Control

The Gas 210 Ace boiler has terminals which can be used to connect an external boiler pump. This pump is run once every 24 hours to prevent sticking (24-hour pump operation).

Installation shutdown

If the central heating system is not used for a long period, we recommend switching the boiler off:

- › Switch the On/Off switch to Off
- › Switch off the boiler electrical power supply
- › Shut off the gas supply
- › Ensure that the boiler and system are protected against frost damage

CAUTION: In the event of low temperatures, we recommend that the installation continues to operate at a lower temperature. This prevents freezing.

Frost protection

CAUTION: Drain the boiler and central heating system if you are not going to use the building for a long time and there is a chance of frost.

Set the temperature control low, for example at 10°C. If there is no demand for heat, the boiler will only switch on in order to prevent frost damage. When the heating water temperature in the boiler falls by too much, the integrated protection system in the boiler starts up. This protection functions as follows:

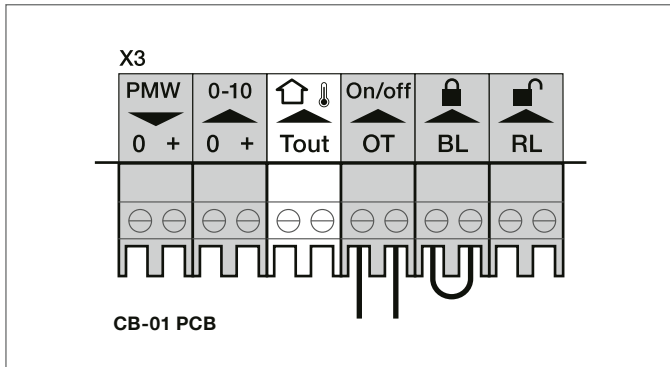
- 1 The circulation pump switches on if the water temperature is <6°C (if pump is electrically connected to the boiler)
2. If the water temperature is <3°C, the boiler starts up. The inbuilt frost protection programme is for the sole use of the heat exchanger protection
3. If the water temperature is >10°C, the boiler shuts down and the heating pump continues to run for a short time

CAUTION: The integrated protection system only protects the boiler, not the installation.

Boiler controls.

On/off control

Using a VFC (Volt Free Contact), the boiler is enabled via the OT connection. Once enabled (and all safety conditions achieved) the boiler fires and modulates to achieve and control a pre-set temperature set point.



This is defined as on/off control.

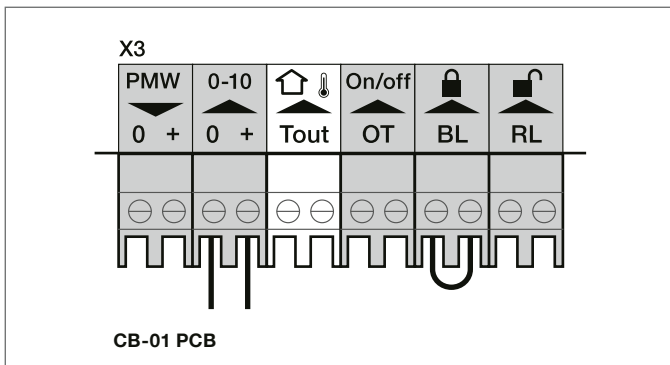
During on/off control the output modulates between the minimum and maximum value. Modulation is based on the required flow temperature, internal temperature sensing, return temperature and using the ΔT dependent output control.

The Gas 210 Ace requires 1 x VFC.

These are connected on the OT on/off control on PCB CB-01.

0-10V input control

Using a 0-10V input the boiler can be controlled directly. When 0-10V controls are configured, on/off control signals are ignored. Enable (via OT) and 0-10V control (via 0-10V input) is not possible. An input $<1.5V$ disables the boiler, thus the 0-10V input becomes control and on/off signal.



There are two different methods of 0-10V input control:

- > Analogue temperature control (preferred)
- > Analogue modulation control

The Gas 210 Ace requires 1 x 0-10V.

Analogue temperature control:

During analogue temperature control the 0-10V input defines the target flow temperature set point. Modulation is based on the required flow temperature, internal temperature sensing, return temperature and using the ΔT dependent output control.

Input Signal (v)	Temperature A	Description
0-1.5	0-15	Boiler off
1.5-1.8	15-18	Hysteresis
1.8-10	18-100	Temp required

Analogue temperature control %:

During analogue output control the 0-10V input controls the boiler output within the minimum and maximum modulation range. The output temperature is a function of control input, return temperature and flow rate.

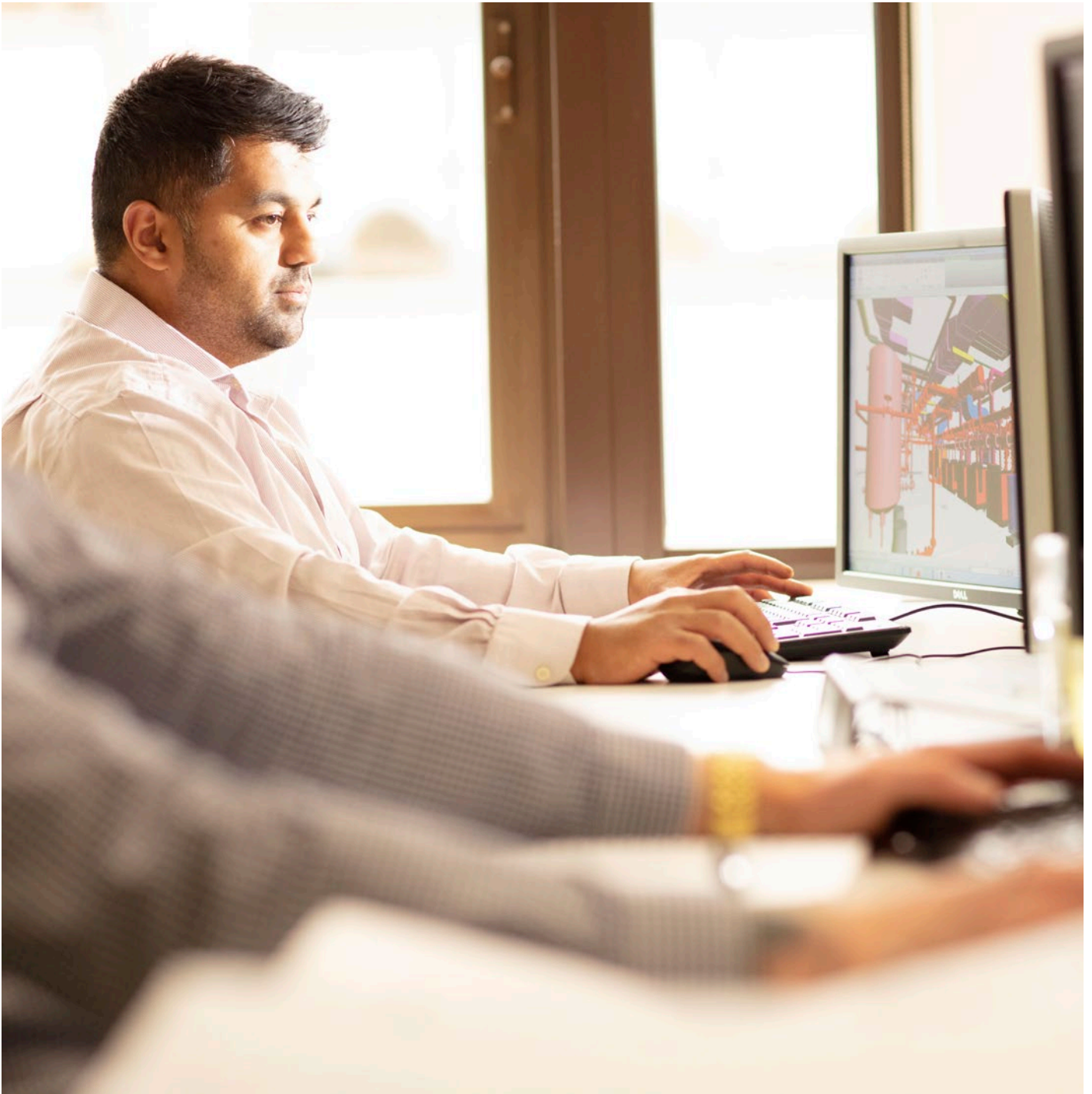
Input Signal (v)	Heat output %	Description
0-2.0*	10-20	Boiler off
2.0-2.2	20-22	Hysteresis
2.0-10*	20-100	Heat output supplied

Boiler controls.

Cascade control

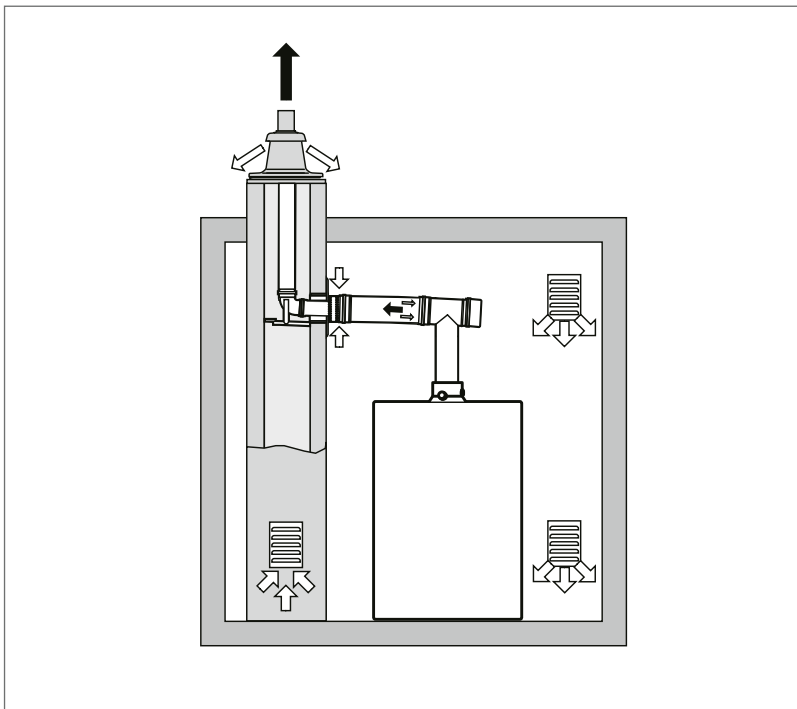
Using the optional SCB-10 expansion board, the boilers can control their own cascade arrangement. The SCB-10 is mounted internally into the master boiler and connects using the S-Bus ports to slave boiler(s) via the CB-01 supplied as standard.

The supplied temperature sensor must be installed onto the common flow header or low loss header. The cascade can function as a stand alone using configurable parameters or using a 1 x 0-10V connection from the BMS allowing set-point temperature control.



Boiler control and typical flue installations.

Conventional



Boiler model	3	4	5	5
Maximum length 'L'**	50m	50m	45m	31m

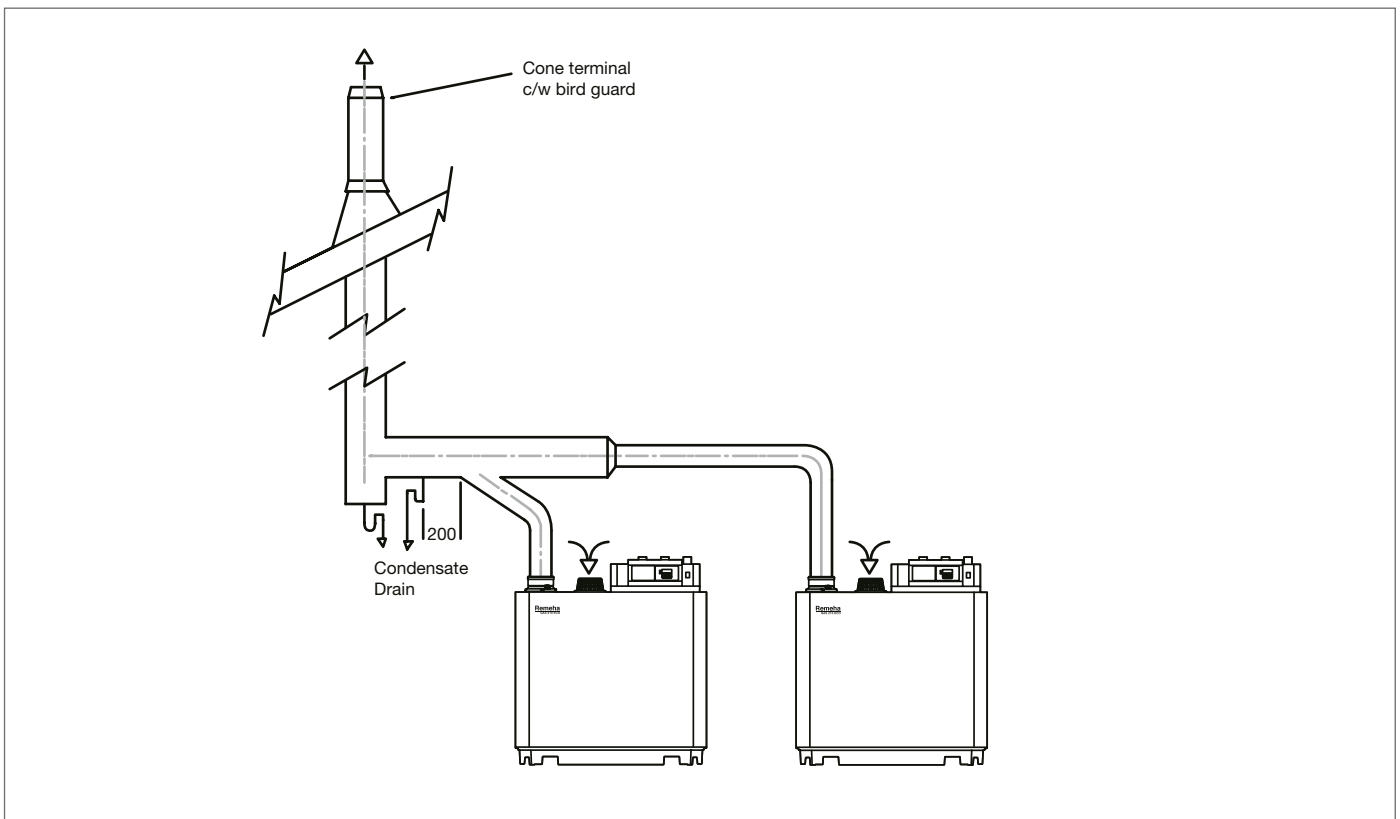
(Using 150mm diameter*)

- > 45° bend = an equivalent length of 1.2m
- > 90° bend = an equivalent length of 2.1m
- > Inspection Tee – an equivalent length of 5.3m (Using 150mm diameter flue)

* For alternative flue diameters and greater overall flueing distances please consult the technical manual.

**Lengths up to 50m possible, seek advice from our technical department.

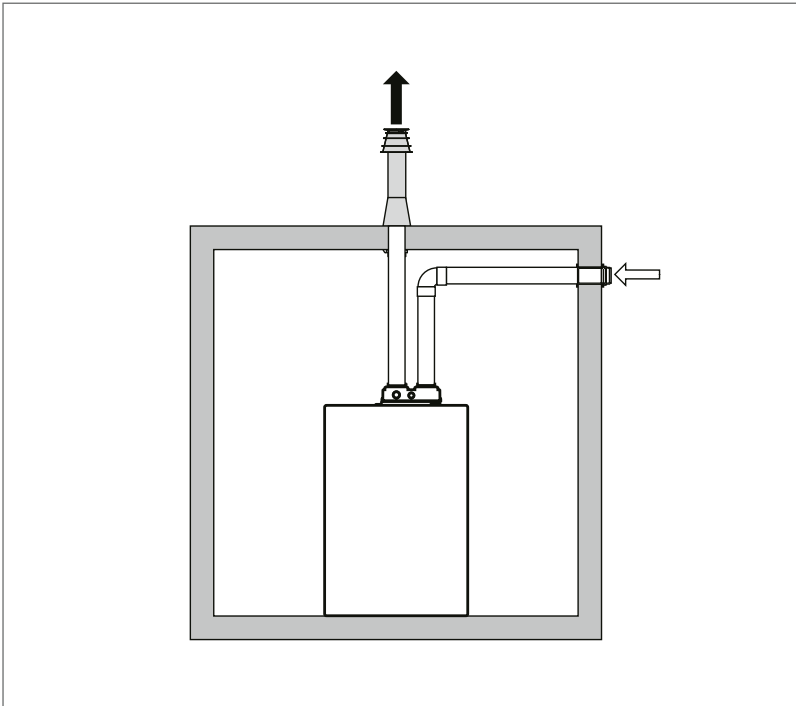
Conventional flue with two boilers using a common header arrangement



Note: Flue calculation must be carried out to confirm header sizes. Please consult with our technical department.

Boiler control and typical flue installations.

CLV System (two zone)



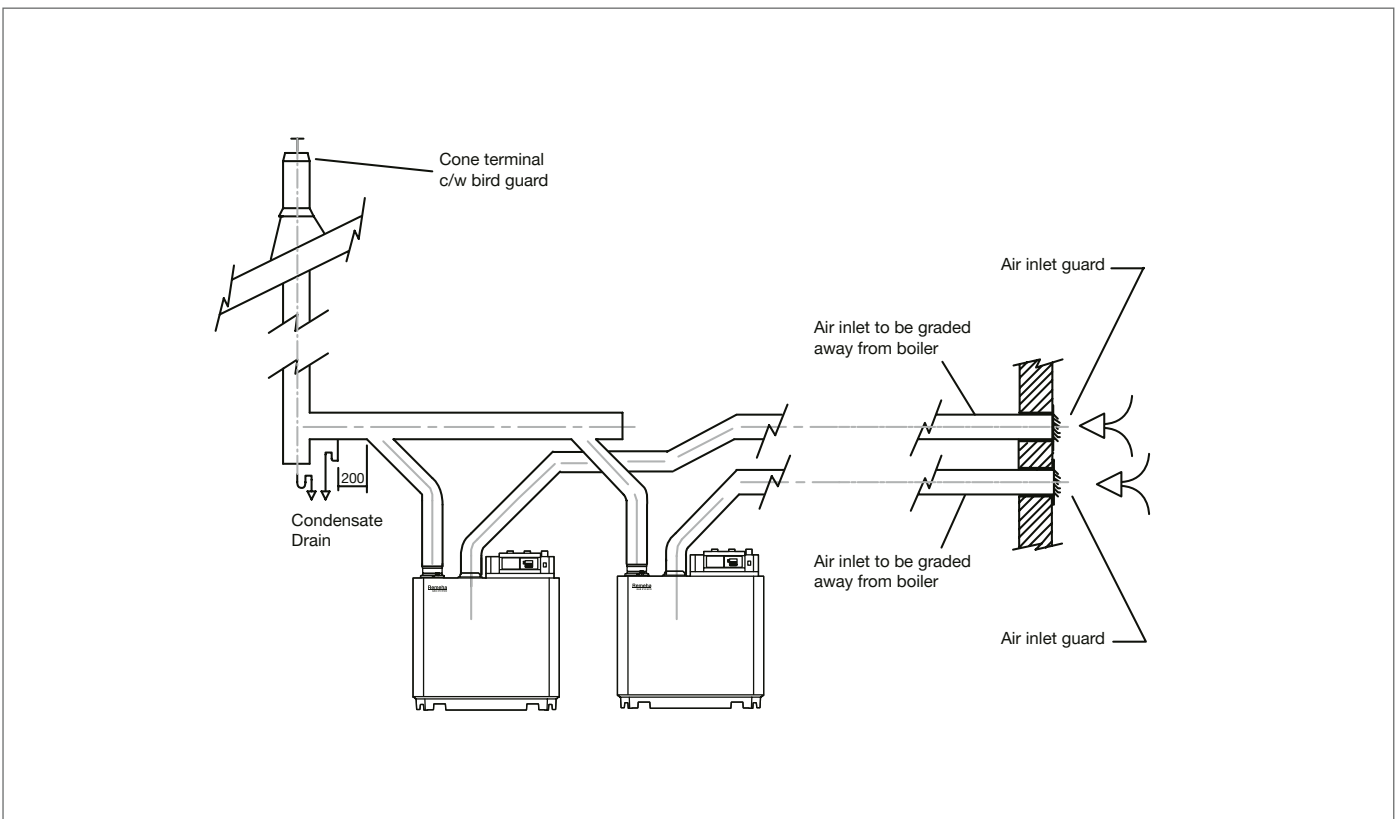
Boiler model	3	4	5	5
Maximum length 'L'***	60m	60m	32m	19m

(Using 150mm diameter*)

- > 150mm diameter 45° bend = an equivalent length of 1.2m
- > 150mm diameter 45° bend = an equivalent length of 2.1m

* For alternative flue diameters and greater overall flueing distances please consult the technical manual.

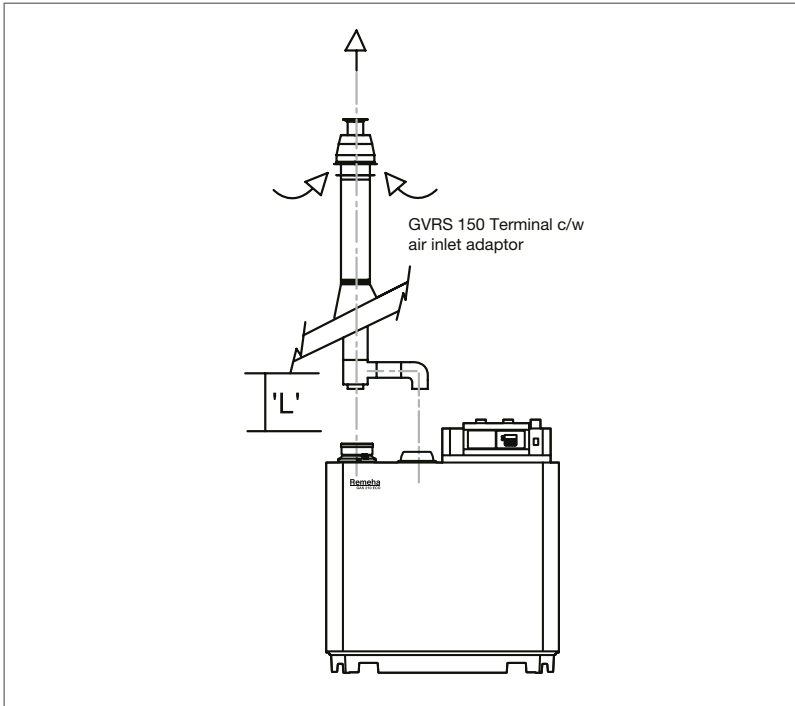
Conventional flue with two boilers using a common header arrangement



Note: Flue calculation must be carried out to confirm header sizes. Please consult with our technical department.

Typical flue installations.

Room sealed GVRS terminal



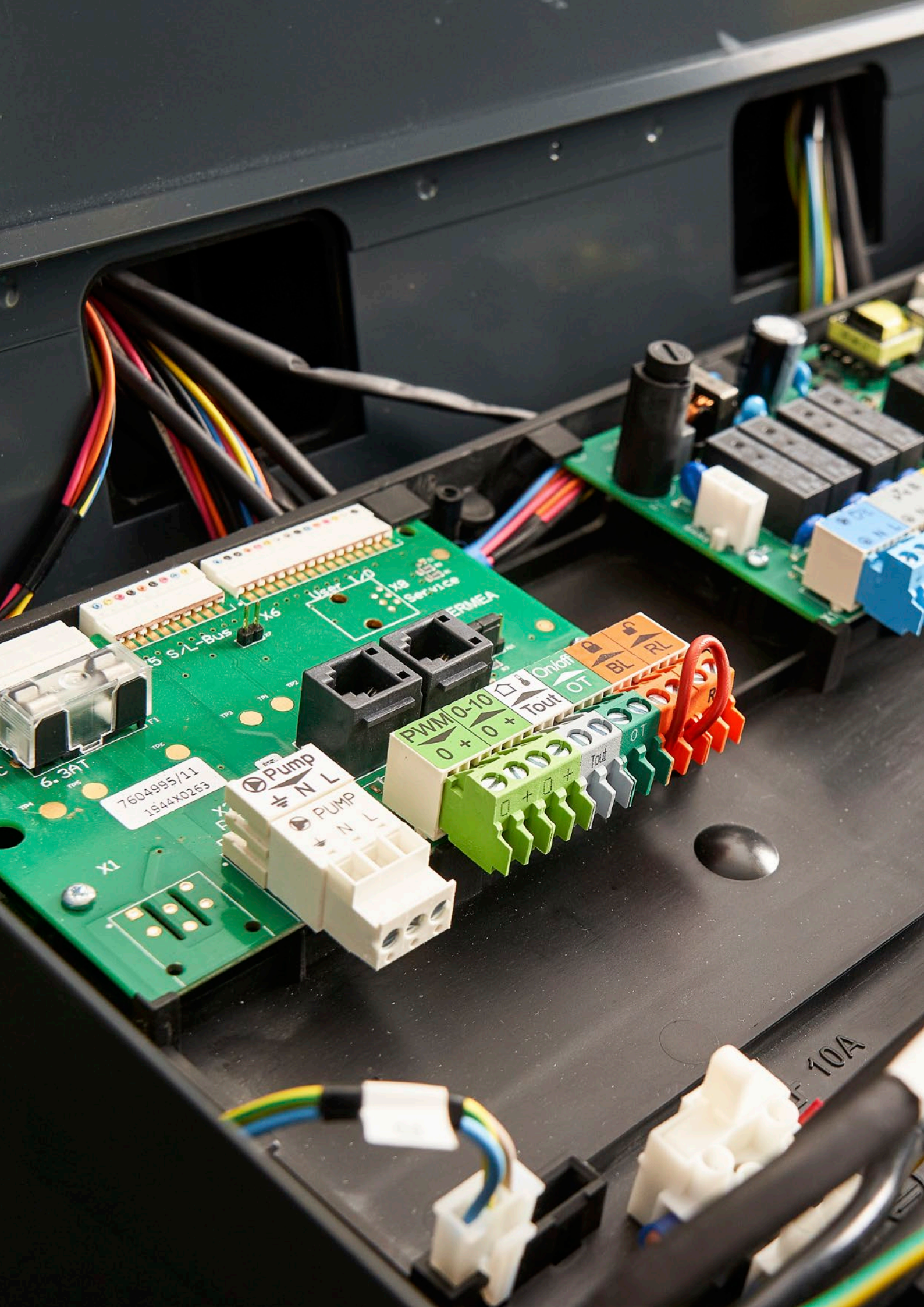
Boiler model	3	4	5	6
Maximum combined length 'L'	60m	60m	44m	24m

(Using 150mm diameter*)

- > 150mm diameter 45° bend = an equivalent length of 1.2m
- > 150mm diameter 90° bend = an equivalent length of 2.1m

* For alternative flue diameters and greater overall flueing distances please consult the technical manual.

Note: Flue calculation must be carried out to confirm max lengths. Please consult with our technical department.



Technical support and declaration of compliance.

Technical support

From brochures to CAD drawings and BIM files, you can access all the information you need at remeha.co.uk

Or call our sales or technical departments on **0345 070 1055**.

We're always happy to help.

We can provide you with:

- > Brochures
- > Technical specification sheets
- > Case studies
- > Installation manuals
- > BIM files
- > CAD files
- > Energy-related products directive data
- > Commissioning
- > Technical information
- > Spare parts (after sales)

Declaration of compliance

We hereby certify that the series of appliances specified herein is in compliance with the standard model described in the EC declaration of compliance, and that it is manufactured and marketed in compliance with the requirements and standards of the following European Directives:

- > 2016 / 426 (EU) Gas Appliance Regulations
- > 92/42/EEC Boiler Efficiency Directive
- > 2014/30/EU EMC Directive

And complies with the following requirements:

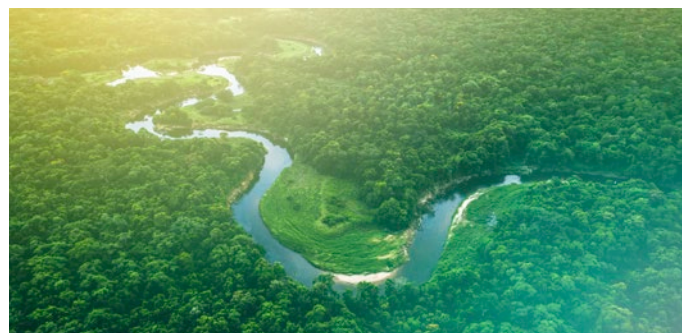
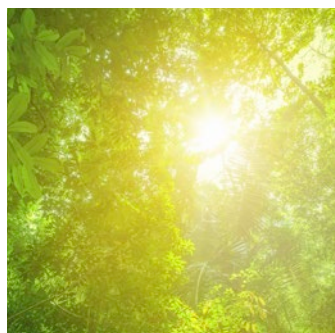
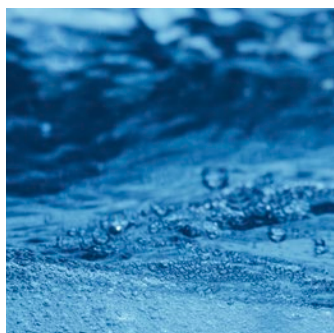
- > 2014/35/EU Low voltage directive
- > 97/23/EEC Pressure Equipment Directive

Article 3, Sub.

CE Certification

Product Identification Number 0085BS0132

2009/125/EC ErP Directive



Brooks House
Coventry Road
Warwick CV34 4LL

T 0345 070 1055

E info@baxiheating.co.uk

W remeha.co.uk

Registered address:
Baxi Heating UK Ltd
Brooks House Coventry Road
Warwick CV34 4LL

Gas 210 Ace Specification Guide March 2023

BAXI

remeha

megaflo



HEATRAESADIA

MAIN
HEATING

POTTERTON
COMMERCIAL

Residential and commercial heating and hot water solutions