

DECO M - Linear Shower Channel

A unique high quality stainless steel shower channel designed for concrete floor structures and wooden floors. This flexible shower channel is very easy to install & offers a waterproofing sealing collar, fitted at the factory. Supplied with an elegant grate design, adjustable for common floor tiles & offers good flow rates. DECO M suits the vast majority of showers installations & gives you superb design flexibility.

E&OE



PRODUCT CHARACTERISTICS

- Outlet is a simple 'push to fit design' located in the centre, while the waste assembly can be rotated through 360 degrees & offers a foul air trap with a water seal of 50mm.
- High Quality 304 Stainless Steel offers reliable resistance to chemical attack.
- Surrounding flange helps to support the 18mm deep channel into common floor structures & secures the as standard fit waterproof sealing gasket.
- Installation Sealing Kit comprising surrounding collar that is included as standard & should be combined with additional waterproofing systems to seal into the floor structure.

APPLICATIONS

DECO M Shower Channel drains are wide collection vessels used within the floor of wet room showers & are offered in various lengths. Suits:

- En-Suites – small bathrooms where space efficiency is at a premium.
- High End Designer Bathrooms – adds to the feeling of space within a bathroom or shower area.
- Refurbishments & New Build.
- Floor Structures – Concrete, Suspended timber (joist), & other common floor structures

TECHNICAL DATA

- Size Channel, Standard : 500, 600, 700, 800, 900, 1000, 1100, 1200mm.
- Visible Size : Approx. 34mm shorter than stated size e.g. 500 is 466 mm long visible, when fitted.
- Gully Profile : 18mm Cross Section, to suit common UK floor structures
- Waste & Foul Air Trap : Outlet DN 50mm, EN1253-2.
- Suitable Floor Covering : Natural Stone or Tile up to 12mm thick.
- Installation Sealing Kit : INCLUDED - Waterproof Sealing Gasket fitted to surrounding flanges.
: Optional - AquaeGUARD or AquaeSEAL Waterproof Membranes ~ See Data Sheets.
- Gradient : Floor gradient max. 1% > 1.5% to be built into the surrounding floors, see e-Form22

MATERIAL

- Channel & Grate : 1.5mm thick 304 High quality Stainless Steel.
- Trap : ABS, rotates 360°.

CAPACITY

- Waste & Foul Air Trap : Horizontal outlet (30 > 36 Litres/Min) location dependant

Issued - 19 April 2013

INSTALLATION INSTRUCTIONS

- See Separate Sheet : Included in Package.

PACKAGING

- Cardboard box : to suit Shower Channel.

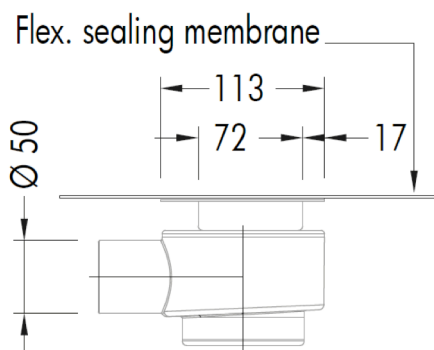
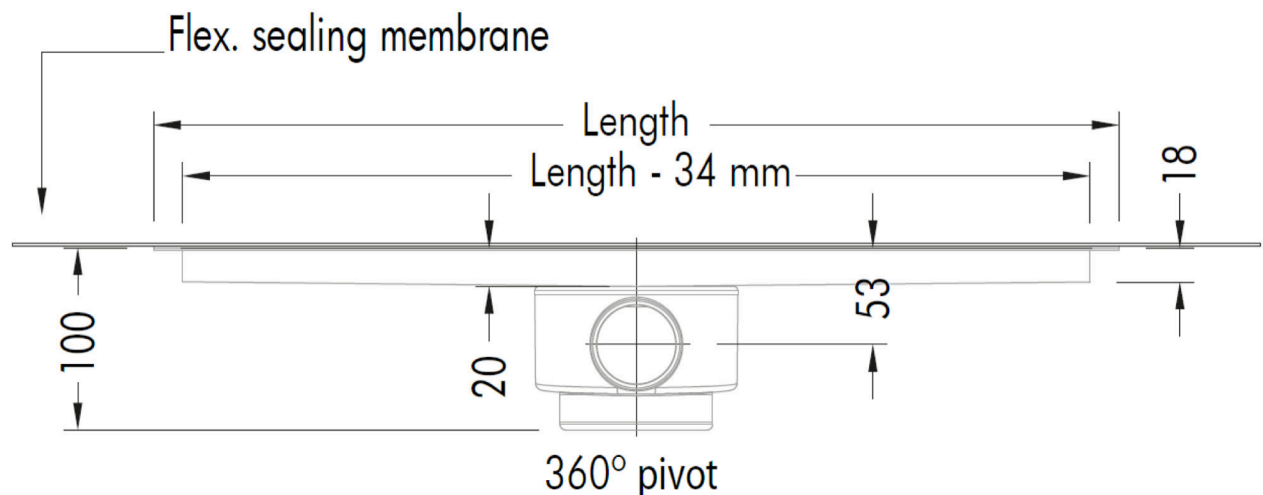
CONTENTS

Supplied in Single box:

- Linear Shower Gully.
- Adjustable ABS Trap Housing – Horizontal DN 50mm Outlet.
- Waterproof Sealing Gasket – fitted on all four sides to flanges.
- Cover Grate with Height adjustable feet.
- Installation Feet (concrete floors), & Earthing Tag.
- Installation Instructions.

SPECIFICATION – DECO M Linear shower drain in 304 S/Steel c/w installation flange, trap with 360 degree outlet rotation accessed by removable & height adjustable grate.

Range	Size	ART No.
DECO M	Shower Channel Drain & Adjustable Grate & Trap 500mm	008.00210
DECO M	Shower Channel Drain & Adjustable Grate & Trap 600mm	008.00211
DECO M	Shower Channel Drain & Adjustable Grate & Trap 700mm	008.00212
DECO M	Shower Channel Drain & Adjustable Grate & Trap 800mm	008.00213
DECO M	Shower Channel Drain & Adjustable Grate & Trap 900mm	008.00214
DECO M	Shower Channel Drain & Adjustable Grate & Trap 1000mm	008.00215
DECO M	Shower Channel Drain & Adjustable Grate & Trap 1100mm	008.00216
DECO M	Shower Channel Drain & Adjustable Grate & Trap 1200mm	008.00217



E&OE
 We reserve the right to alter & amend specifications without prior notice
 This is not a specification document & does not guarantee performance
 © Bathroom Engineering™ April 13