

IDL52 Indicator Lock & Keeper



- Lock with SUS304 Stainless Steel Knobs & Covers.
- Coin Open From Outdoor for Emergency.
- Suitable for Glass Door Panel Thickness: 8, 10, 12mm.
- Available Finishes PSS : Polished Stainless Steel.
SSS : Satin Stainless Steel.

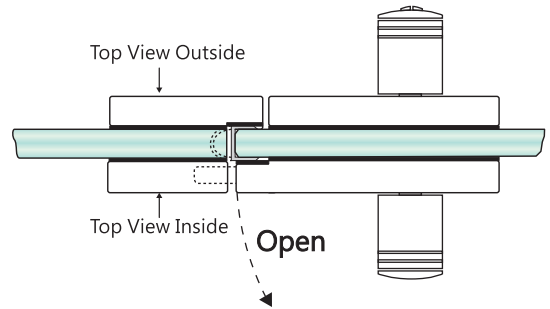
U.S.A
TAIWAN
PATENTED

DEUTSCHLAND
Gebrauchsmusters

IDL-52



IDL-52K



Outdoor



Indoor

Red (Locked) Green (Unlock)

Notching Details

