



**ACCESSORI  
PER CANCELLI  
AD ANTA  
ACCESSORIES FOR SWING GATES**



Tutte le misure sono espresse in mm,  
ove non diversamente specificato.

*All measures are in mm, if any other  
measurement unit is not specified.*

## LEGENDA:



PORTATA  
LOAD




N° CUSCINETTI  
BEARINGS N.

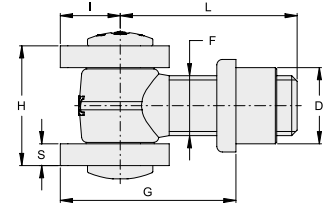



PZ/CONF.  
PIECES FOR BOX

**CARDINI ZINCATI CON PERNO ANTI-ROTAZIONE  
GALVANIZED HINGES WITH ANTI-ROTATING PIN**

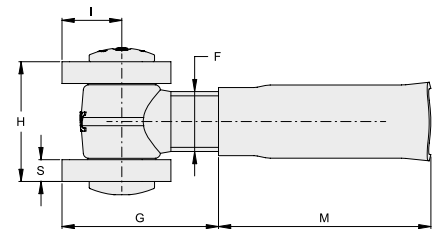
COD.	F	H	S	I	L	G	D	
432	M18	40	6	19	55	42÷68	23	20
432.20	M20	40	6	19	60	46÷72	25	20
435	M22	45	8	23	65	49÷80	28	12
432.24	M24	51	8	23	70	50÷81	29	10
436	M27	56	8	25	76	59÷94	35	6


**Cardine a saldare  
Hinge - weld fixing**



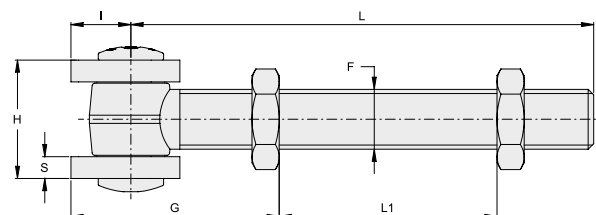
COD.	F	H	S	I	G	M	
431	M18	40	6	19	38÷61	68	14
431.20	M20	40	6	19	41÷65	94	10
434	M22	45	8	23	43÷72	77	10
431.24	M24	51	8	23	48÷72	105	8
437	M27	56	8	25	51÷84	90	6

**Cardine a muro  
Masonry hinge**




COD.	F	H	S	I	L	G	L1	
430	M18	40	6	19	155	in. 45	x.120	10
430.20	M20	40	6	19	160	in. 49	x.130	10
433	M22	45	8	23	170	in. 51	x.130	6
430.24	M24	51	8	23	180	in. 53	x.140	6

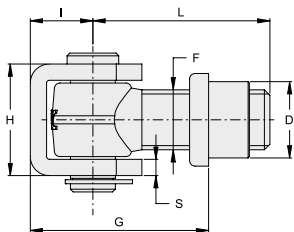
**Cardine a barra lunga  
Long rod hinge**




## CARDINI ZINGATI CON CAVALLOTTO GALVANIZED HINGES WITH BRACKET

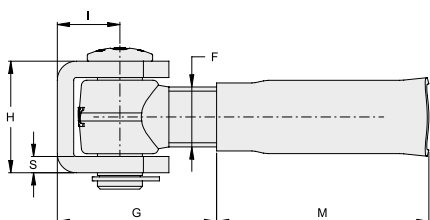
### Cardine a saldare Hinge - weld fixing

COD.	F	H	S	G	I	L	D	
432C	M18	39	6	43÷69	21	55	23	20
432C.20	M20	39	6	47÷73	21	60	25	20
435C	M22	41	6	50÷81	23	65	28	12
432C.24	M24	47	6	53÷84	25	70	29	10
436C	M27	57	8	67÷102	35	76	35	6




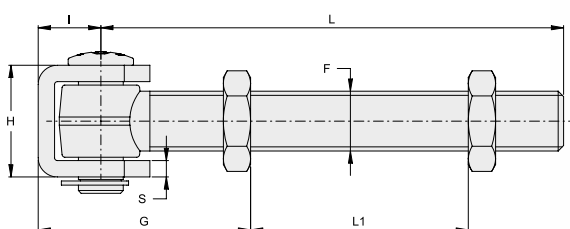
### Cardine a muro Masonry hinge

COD.	F	H	S	I	G	M	
431C	M18	39	6	21	39÷62	66	14
431C.20	M20	39	6	21	42÷66	94	10
434C	M22	41	6	23	44÷73	77	10
431C.24	M24	47	6	25	51÷75	105	8
437C	M27	57	8	35	58÷91	90	6




### Cardine a barra lunga Long rod hinge

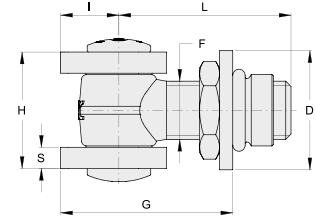
COD.	F	H	S	G	I	L	L1	
430C	M18	39	6	in. 46	21	156	x.120	10
430C.20	M20	39	6	in. 50	21	160	x.130	10
433C	M22	41	6	in. 53	23	170	x.130	6
430C.24	M24	47	6	in. 56	25	180	x.140	6




## CARDINI ZINCATI REGOLABILI CON PERNO ANTI-ROTAZIONE ADJUSTABLE GALVANIZED HINGES WITH ANTI-ROTATING PIN

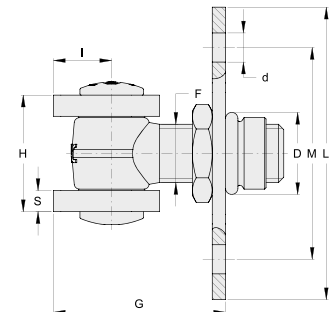
COD.	F	H	S	I	L	G	D	
230.18	M18	40	6	19	55	49÷63	28	20
230.20	M20	40	6	19	60	53÷67	28	10
230.22	M22	45	8	23	65	55÷75	32	12
230.24	M24	51	8	23	70	60÷78	32	6
230.27	M27	56	8	25	76	68÷86	40	6


**Cardine regolabile a saldare**  
*Adjustable hinge - weld fixing*



COD.	F	H	S	I	G	D	d	L	M	
231.18	M18	40	6	19	49÷63	28	9	90x90	64x64	8
231.20	M20	40	6	19	53÷67	28	9	90x90	64x64	8
231.22	M22	45	8	23	55÷75	32	11	110x110	80x80	6
231.24	M24	51	8	23	60÷78	32	11	110x110	80x80	6
231.27	M27	56	8	25	68÷86	40	13	130x130	90x90	6

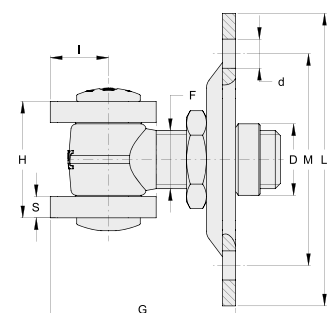
**Cardine regolabile con piastra**  
*Adjustable hinge with plate*



COD.	F	H	S	I	G	D	d	L	M	
231B.18	M18	40	6	19	55÷69	22	9	90x90	64x64	8
231B.20	M20	40	6	19	59÷73	24	9	90x90	64x64	8
231B.22	M22	45	8	23	61÷81	27	11	110x110	80x80	6
231B.24	M24	51	8	23	66÷84	30	11	110x110	80x80	6
231B.27	M27	56	8	25	75÷94	33	13	130x130	90x90	6


**Cardine regolabile con piastra imbutita**  
*Adjustable hinge with plate*

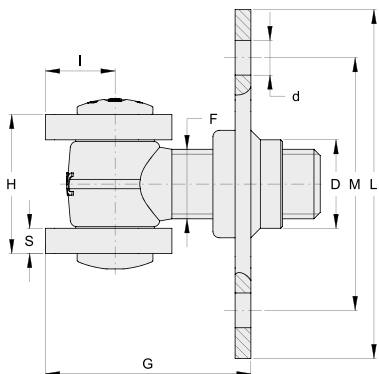
**NEW**




## CARDINI ZINCATI CON PERNO ANTI-ROTAZIONE GALVANIZED HINGES WITH ANTI-ROTATING PIN

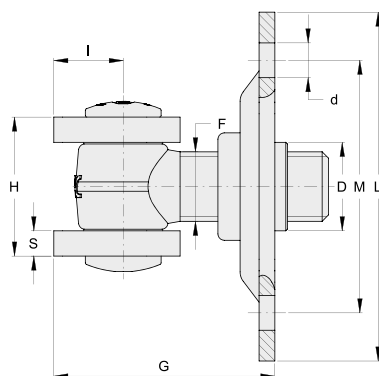
### Cardine con piastra Hinge with plate

COD.	F	H	S	I	G	D	d	L	M	
232.18	M18	40	6	19	46÷63	23	9	90x90	64x64	8
232.20	M20	40	6	19	50÷67	25	9	90x90	64x64	8
232.22	M22	45	8	23	55÷75	28	11	110x110	80x80	6
232.24	M24	51	8	23	60÷78	29	11	110x110	80x80	6
232.27	M27	56	8	25	66÷86	35	13	130x130	90x90	6



### Cardine con piastra imbutita Hinge with plate

COD.	F	H	S	I	G	D	d	L	M	
232B.18	M18	40	6	19	52÷69	23	9	90x90	64x64	8
232B.20	M20	40	6	19	56÷73	25	9	90x90	64x64	8
232B.22	M22	45	8	23	61÷81	28	11	110x110	80x80	6
232B.24	M24	51	8	23	66÷84	29	11	110x110	80x80	6
232B.27	M27	56	8	25	73÷94	35	13	130x130	90x90	6



### Applicazioni Applications




Profilo sagomato anti-rotazione  
*Anti-rotating pin*

Il profilo particolare del foro impedisce il deposito  
eccessivo di zinco in fase di zincatura a caldo.  
*Special hole profile to reduce  
build-up of zinc galvanizing.*

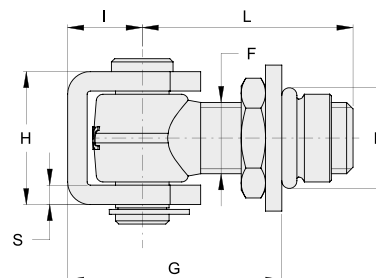
La vite a testa maggiorata con cava esagonale  
aumenta la resistenza allo svitamento.  
*Oversize head machine screw increasing  
the resistance to loosen.*




## CARDINI ZINCATI REGOLABILI CON CAVALOTTO ADJUSTABLE GALVANIZED HINGES WITH BRACKET

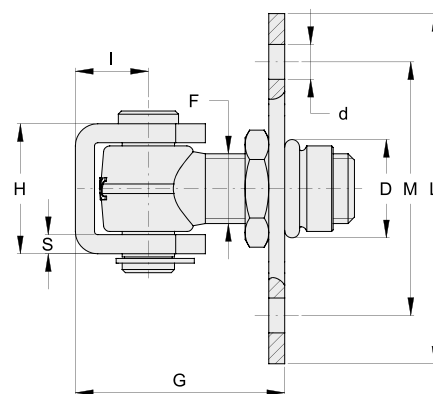
COD.	F	H	S	I	G	D	L	
230.18C	M18	39	6	21	50-64	28	55	10
230.20C	M20	39	6	21	54-68	28	60	10
230.22C	M22	41	6	23	56-76	32	65	12
230.24C	M24	47	6	25	63-81	32	70	6
230.27C	M27	57	8	35	76-94	40	76	6


**Cardine a saldare**  
*Hinge - weld fixing*



COD.	F	H	S	I	G	D	d	L	M	
231.18C	M18	39	6	21	50-64	28	9	90X90	64X64	8
231.20C	M20	39	6	21	54-68	28	9	90X90	64X64	8
231.22C	M22	41	6	23	56-76	32	11	110X110	80X80	6
231.24C	M24	47	6	25	63-81	32	11	110X110	80X80	6
231.27C	M27	57	8	35	76-94	40	13	130X130	90X90	6

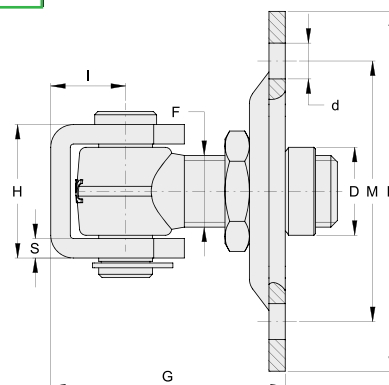
**Cardine con piastra**  
*Hinge with plate*



COD.	F	H	S	I	G	D	d	L	M	
231B.18C	M18	39	6	21	56÷70	22	9	90x90	64x64	8
231B.20C	M20	39	6	21	60÷74	24	9	90x90	64x64	8
231B.22C	M22	41	6	23	62÷82	27	11	110x110	80x80	6
231B.24C	M24	47	6	25	69÷87	30	11	110x110	80x80	6
231B.27C	M27	57	8	35	83÷102	33	13	130x130	90x90	6


**Cardine con piastra imbutita**  
*Hinge with plate*

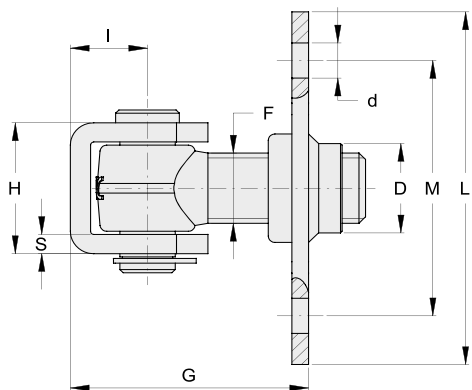
**NEW**



## CARDINI ZINCATI CON CAVALLOTTO GALVANIZED HINGES WITH BRACKET

### Cardine con piastra Hinge with plate

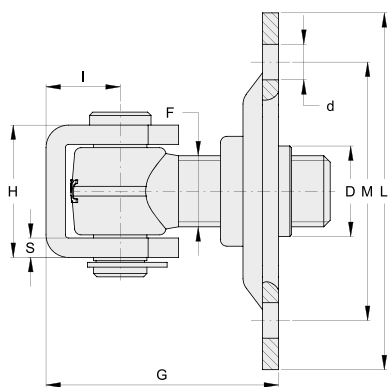
COD.	F	H	S	I	G	D	d	L	M	
232.18C	M18	40	6	19	47÷64	23	9	90x90	64x64	8
232.20C	M20	40	6	19	51÷68	25	9	90x90	64x64	8
232.22C	M22	45	8	23	56÷76	28	11	110x110	80x80	6
232.24C	M24	51	8	25	63÷81	29	11	110x110	80x80	6
232.27C	M27	57	8	35	74÷94	35	13	130x130	90x90	6




### Cardine con piastra imbutita Hinge with plate

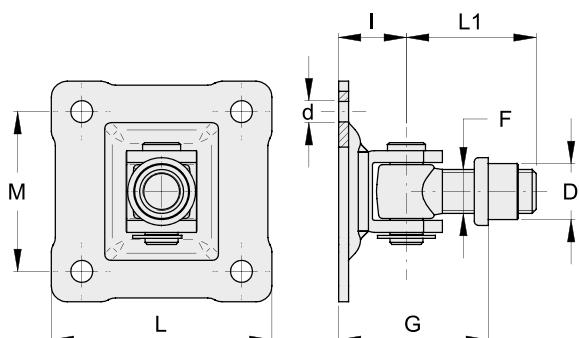


COD.	F	H	S	I	G	D	d	L	M	
232B.18C	M18	39	6	21	53÷70	23	9	90x90	64x64	8
232B.20C	M20	39	6	21	57÷74	25	9	90x90	64x64	8
232B.22C	M22	41	6	23	62÷82	28	11	110x110	80x80	6
232B.24C	M24	47	6	25	69÷87	29	11	110x110	80x80	6
232B.27C	M27	57	8	35	81÷102	35	13	130x130	90x90	6




### Cardine con cavalletto saldato su piastra imbutita Hinge with welded bracket on plate

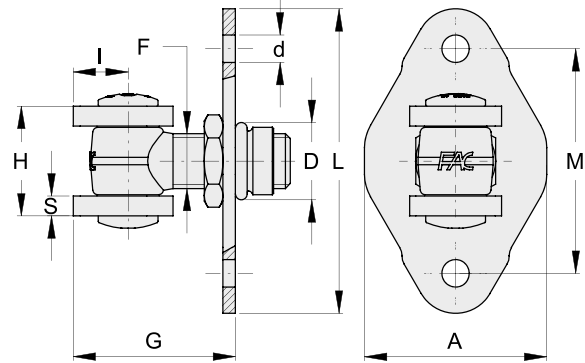
COD.	F	G	D	d	I	L1	L	M	
233.18C	M18	47÷73	23	9	30	55	90x90	64x64	8
233.22C	M22	55÷86	28	11	34	65	110x110	80x80	4
233.27C	M27	72÷107	35	13	46	76	130x130	90x90	4




## CARDINI ZINCATI GALVANIZED HINGES

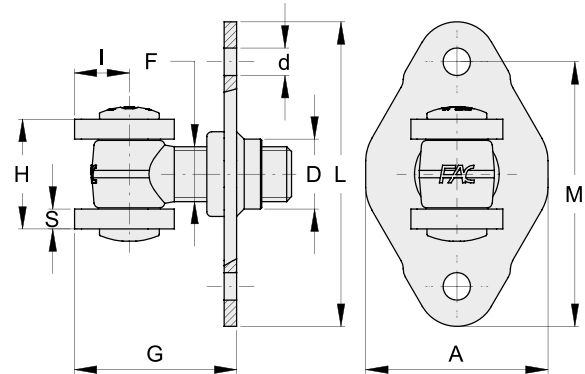
Cardine regolabile con perno anti-rotazione e piastrina a 2 fori  
Adjustable hinge with anti-rotating pin and two-hole small plate

COD.	F	H	S	I	G	D	d	L	A	M	
131.18	M18	40	6	19	49÷63	28	9	100	60	74	8
131.20	M20	40	6	19	53÷67	28	9	100	60	74	8
131.22	M22	45	8	23	55÷75	32	11	122	73	90	6
131.24	M24	51	8	23	60÷78	32	11	122	73	90	6



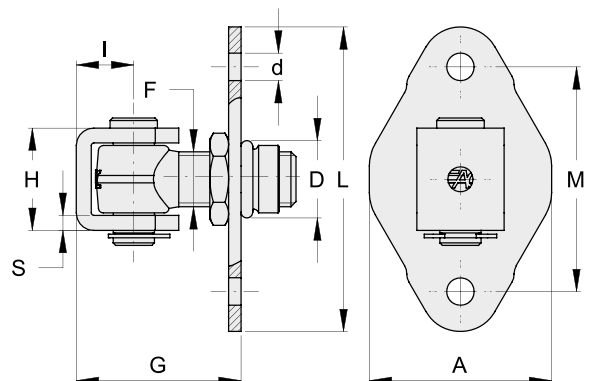
Cardine con perno anti-rotazione e piastrina a 2 fori  
Hinge with anti-rotating pin and two-hole small plate

COD.	F	H	S	I	G	D	d	L	A	M	
132.18	M18	40	6	19	46÷63	23	9	100	60	74	8
132.20	M20	40	6	19	50÷67	25	9	100	60	74	8
132.22	M22	45	8	23	55÷75	28	11	122	73	90	6
132.24	M24	51	8	23	60÷78	29	11	122	73	90	6




Cardine regolabile con cavalletto e piastrina a 2 fori  
Adjustable hinge with two-hole small plate and bracket

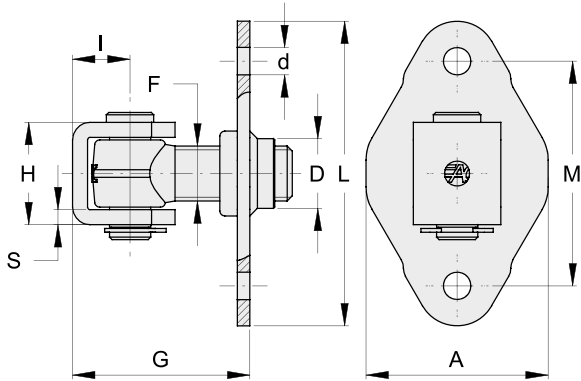
COD.	F	H	S	I	G	D	d	L	A	M	
131.18C	M18	39	6	21	50÷64	28	9	100	60	74	8
131.20C	M20	39	6	21	54÷68	28	9	100	60	74	8
131.22C	M22	41	6	23	56÷76	32	11	122	73	90	6
131.24C	M24	47	6	25	63÷81	32	11	122	73	90	6



## CARDINI ZINCATI GALVANIZED HINGES

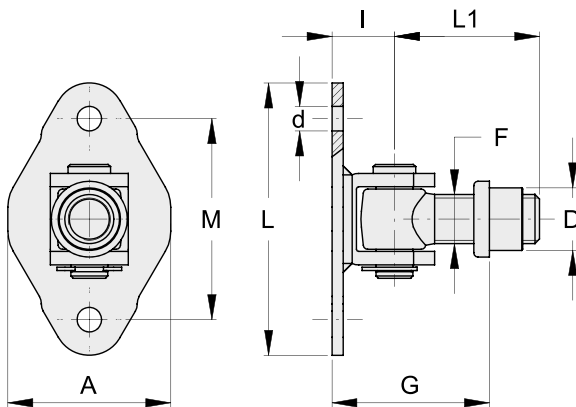
Cardine con cavalletto e piastrina a 2 fori  
Hinge with two-hole small plate and bracket

COD.	F	H	S	I	G	D	d	L	A	M	
132.18C	M18	39	6	19	47-64	23	9	100	60	74	8
132.20C	M20	39	6	19	51-68	25	9	100	60	74	8
132.22C	M22	41	6	23	56-76	28	11	122	73	90	6
132.24C	M24	47	6	25	63-81	29	11	122	73	90	6

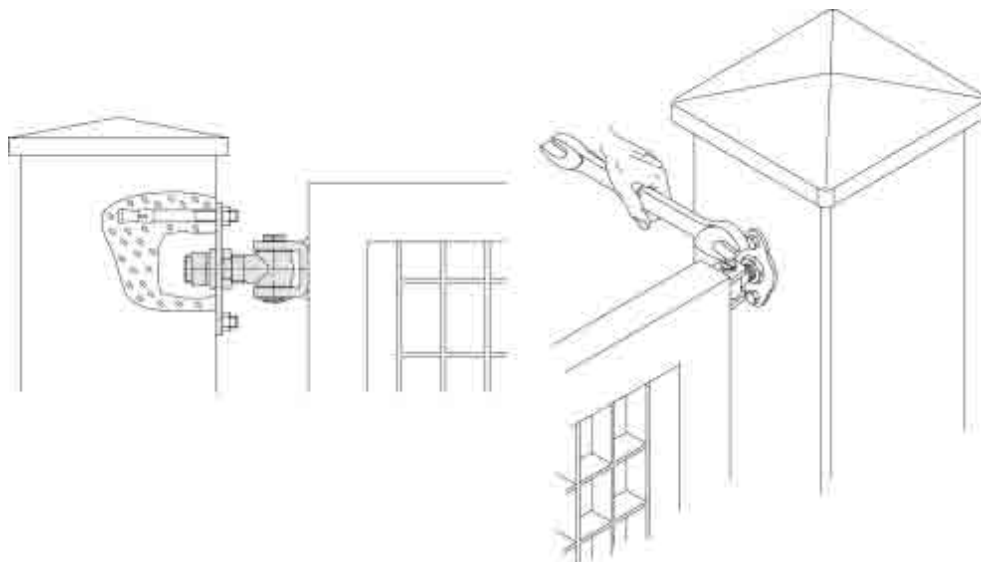



Cardine con cavalletto saldato su piastra  
Hinge with welded bracket on a plate

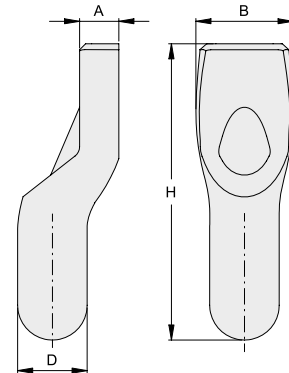
COD.	F	G	D	d	I	L1	L	A	M	
133.18C	M18	47-73	23	9	23	55	100	60	74	8
133.20C	M20	51-77	25	9	25	55	100	60	74	8
133.22C	M22	55-86	28	11	28	65	122	73	90	4
133.24C	M24	56-87	29	11	30	65	122	73	90	4




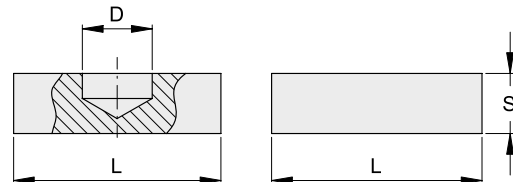
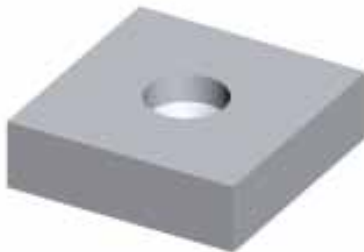
Applicazioni  
Applications



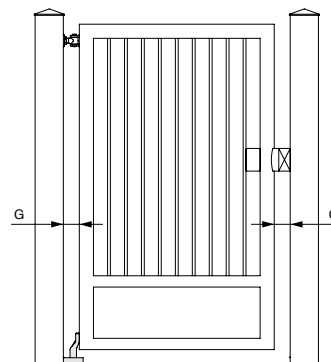
	COD.	D	A	B	H		Perno Pin
cido / Blac	120	20	10	30	89	20	
inc to / al-ani ed	120/Z	20	10	30	89	20	
cido / Blac	121	23	12	32	98	12	
inc to / al-ani ed	121/Z	23	12	32	98	12	
cido / Blac	124	28	15	38	105	6	
inc to / al-ani ed	124/Z	28	15	38	105	6	



	COD.	L	D	S		Piastra Plate
cido / Blac	122	60	20	15	20	
inc to / al-ani ed	122/Z	60	20	15	20	
cido / Blac	123	70	23	20	12	
inc to / al-ani ed	123/Z	70	23	20	12	
cido / Blac	125	80	28	20	6	
inc to / al-ani ed	125/Z	80	28	20	6	




**Applicazioni**  
**Applications**

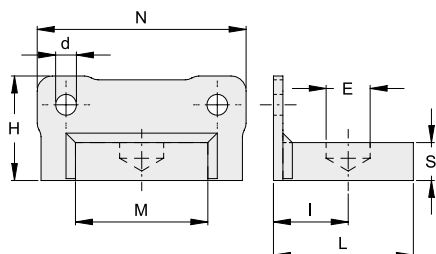


Cod. 120 - 120 Z - 122 - 122 Z: vanno abbinati ai cardini M18  
Cod. 121 - 121 Z - 123 - 123 Z: vanno abbinati ai cardini M22  
Cod. 124 - 124 Z - 125 - 125 Z: vanno abbinati ai cardini M27  
Cod. 120 - 120 Z - 122 - 122 Z: to couple with hinges M18  
Cod. 121 - 121 Z - 123 - 123 Z: to couple with hinges M22  
Cod. 124 - 124 Z - 125 - 125 Z: to couple with hinges M27


Con cardini da M1 : 50 mm  
Con cardini da M22: 55 mm  
Con cardini da M2 : 5 mm  
ith hinges M1 : G 50 mm  
ith hinges M22: G 55 mm  
ith hinges M2 : G 5 mm

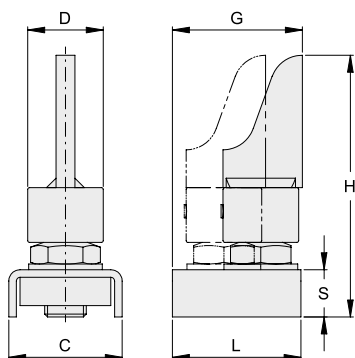
## PIASTRA INFERIORE ZINCATA A FISSARE BOTTOM GALVANIZED FIXING PLATE

	COD.	E	I	L	S	M	N	H	d	
<b>Cod. 122P</b> va abbinato ai cardini M1 <b>Cod. 123P</b> va abbinato ai cardini M22 <b>Cod. 125P</b> va abbinato ai cardini M2	<b>122P</b>	20	34	64	15	60	90	45	9	10
<b>Cod 122P</b> for hinges M1 <b>Cod 123P</b> for hinges M22 <b>Cod 125P</b> for hinges M2	<b>123P</b>	23	40	75	20	70	110	55	11	6
	<b>125P</b>	28	45	85	20	80	130	65	13	4




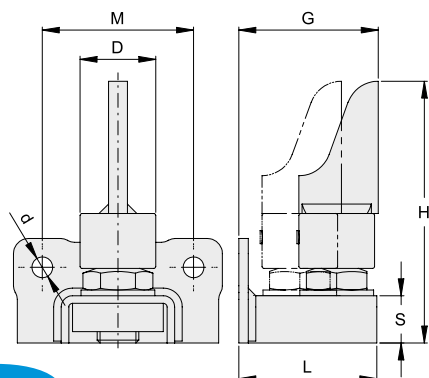
## CARDINI INFERIORI ZINCATI REGOLABILI BOTTOM ADJUSTABLE GALVANIZED PIVOTS

A saldare Weld fixing	COD.	D	C	L	H	G	S	
<b>Cod. 289.30</b> va abbinato ai cardini M1 <b>Cod. 289.40</b> va abbinato ai cardini M22 <b>Cod. 289.50</b> va abbinato ai cardini M2	<b>289.30</b>	30	50	62	120	42.5-60.5	22	6
<b>Cod 289.30</b> for hinges M1 <b>Cod 289.40</b> for hinges M22 <b>Cod 289.50</b> for hinges M2	<b>289.40</b>	40	60	68	138	48-68	25	4
	<b>289.50</b>	50	70	82	159.5	58-78	25	4




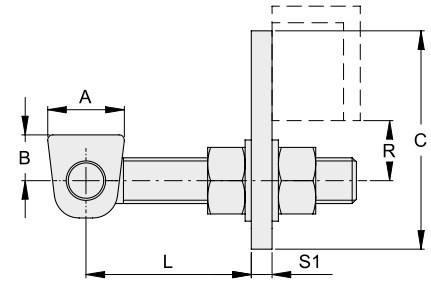
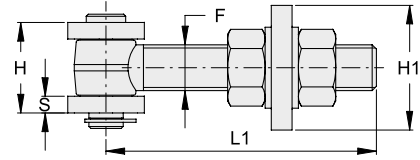
### Con piastra With plate


	COD.	D	L	H	G	S	M	d	
<b>Cod. 289.30P</b> va abbinato ai cardini M1 <b>Cod. 289.40P</b> va abbinato ai cardini M22 <b>Cod. 289.50P</b> va abbinato ai cardini M2	<b>289.30P</b>	30	66	120	46.5-64.5	22	64	9	6
<b>Cod 289.30P</b> for hinges M1 <b>Cod 289.40P</b> for hinges M22 <b>Cod 289.50P</b> for hinges M2	<b>289.40P</b>	40	73	138	53-73	25	80	11	4
	<b>289.50P</b>	50	87	159.5	63-83	25	90	13	4

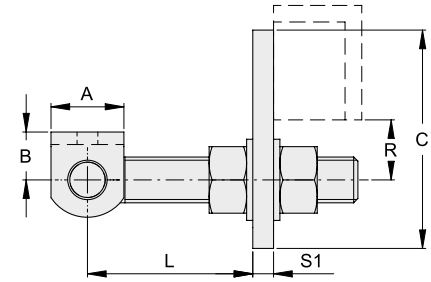
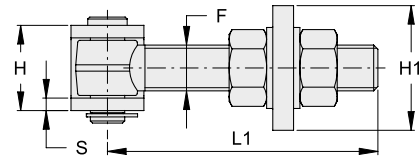



## CARDINI ZINCATI A REGOLAZIONE ORTOGONALE GALVANIZED HINGES WITH TWO-WAY ADJUSTMENT

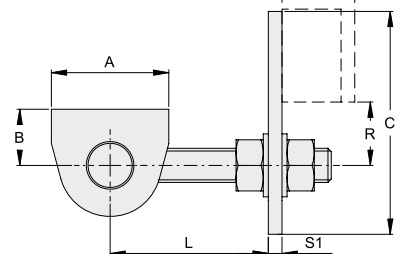
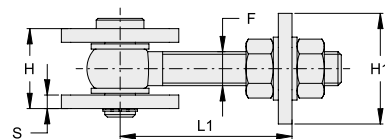
COD.	F	S	H	A	B	S1	H1	C	L	L1	R	
300.18	M18	6	40	34	20	8	50	80	39÷82	110	20÷38	10
300.22	M22	8	45	38	23	10	60	105	46÷97	130	23÷45	6
300.27	M27	10	60	75	30	12	70	125	62÷111	150	30÷51	4



COD.	F	S	H	A	B	S1	H1	C	L	L1	R		Con cavalletto With bracket
300.18C	M18	6	40	34	21	8	50	80	39÷82	110	20÷38	10	
300.22C	M22	8	45	38	23	10	60	105	46÷97	130	23÷45	6	
300.27C	M27	10	60	75	35	12	70	125	62÷111	150	30÷51	4	




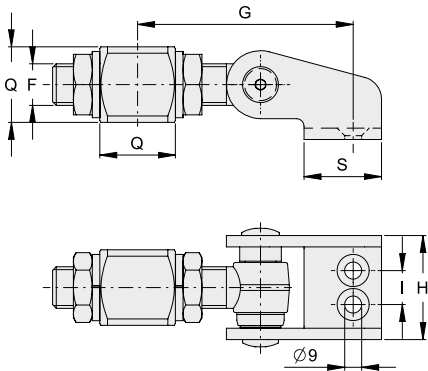
COD.	F	S	H	A	B	S1	H1	C	L	L1	R	
5300.12	M12	6	33	45.5	24.5	6	50	75.5	40÷80	103	14÷26	8
5300.16	M16	6	38	50.5	27	8	65	88	47÷93	121	18÷34	4
5300.20	M20	8	47	69	33	8	65	131	60÷98	130	20÷55	6
5300.24	M24	8	52	69	33	12	75	131	60÷115	152	25÷47	4




## CARDINI ZINCATI PER APERTURE FINO A 180 GALVANIZED HINGES WITH AN OPENING UP TO 180

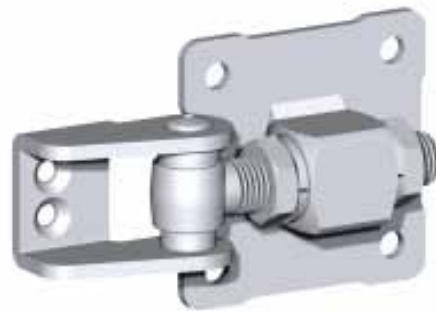
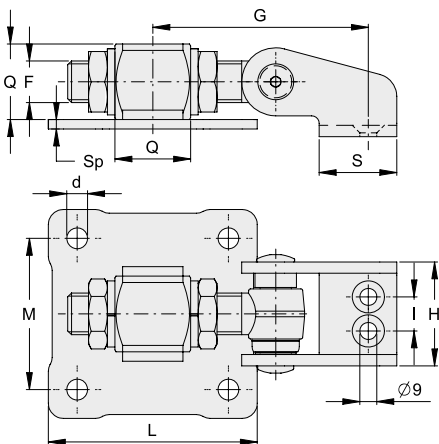
Cardine regolabile a saldare  
Adjustable hinge - weld fixing

COD.	F	H	S	I	G		
236.18	18	50	30	18	87÷102	35	6
236.22	22	55	41	18	103÷125	40	6

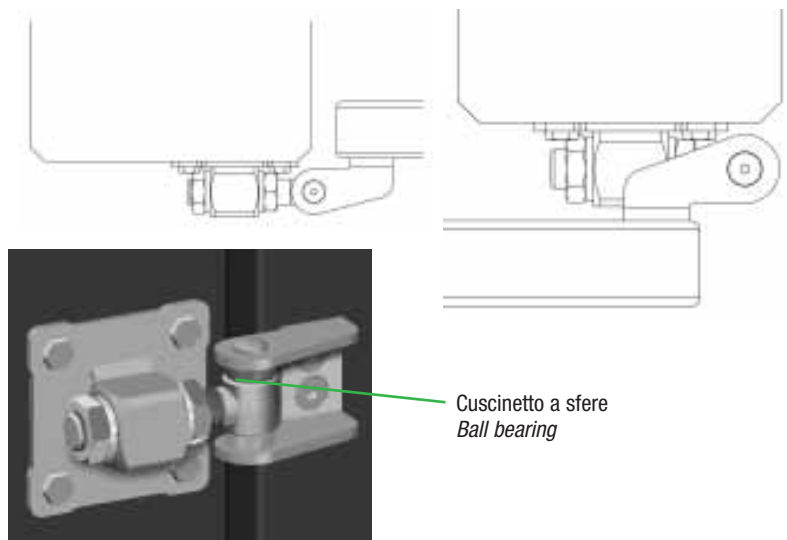


Cardine regolabile con piastra  
Adjustable hinge with plate

COD.	F	H	S	I	G	L	M	d	Sp		
236.18P	18	50	38	18	87÷102	35	90	64	9	4	4
236.22P	22	55	41	18	103÷125	40	110	80	11	5	2




Applicazioni  
Applications

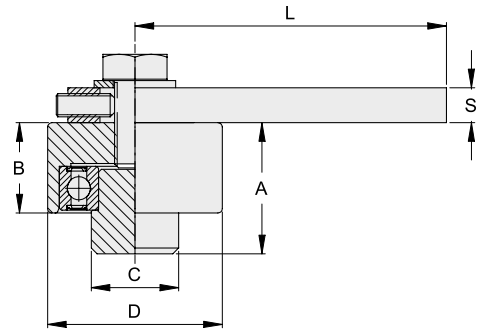



Cuscinetto a sfere  
Ball bearing

## CARDINI ZINCATI CON CUSCINETTO GALVANIZED PIVOTS WITH BEARING

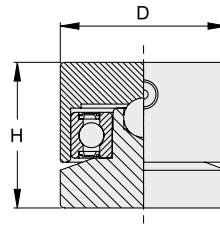
COD.	D	L	S	A	B	C	
260.40	40	67÷77	8	30	21	25	12
260.50	50	75÷85	10	37	26	30	8
260.60	60	102÷112	12	45	31	30	4
260.70	70	109÷119	12	46	32	35	4

Cardine superiore regolabile a saldare  
Adjustable top pivot - weld fixing



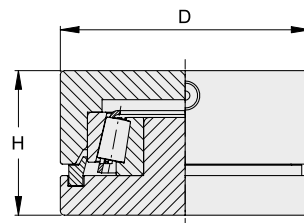
COD.	D	H	
265.40	40	35	12

Cardine inferiore a saldare  
Bottom pivot - weld fixing




COD.	D	H	
265.50	50	32	8
265.60	60	35	4
265.70	70	40	4

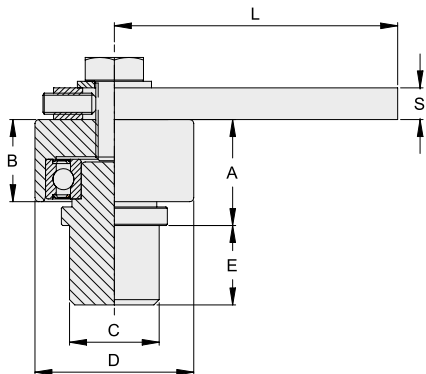
Cardine inferiore a saldare  
Bottom pivot - weld fixing




## CARDINI ZINCATI CON CUSCINETTO GALVANIZED PIVOTS WITH BEARING

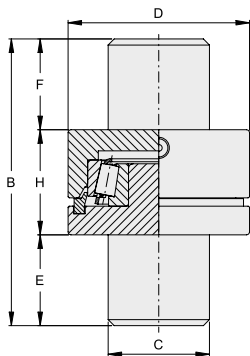
Cardine superiore regolabile per tubolari 40x3 - 50x3  
Adjustable top pivot for tube sections 40x3 - 50x3

COD.	D	L	S	A	B	C	E	
261.60	60	102±112	12	42	31	34	30	4
261.70	70	109±119	12	43	32	44	30	4

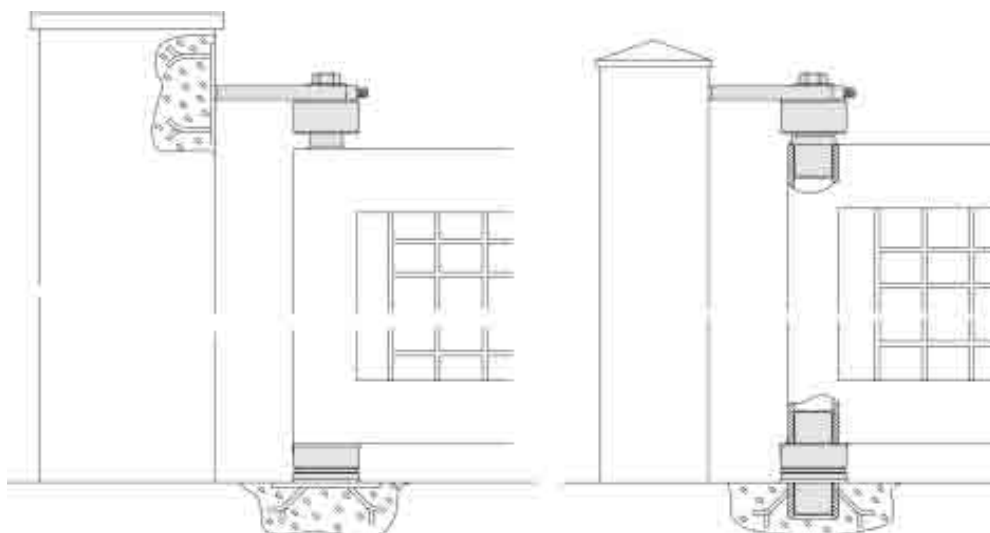


Cardine inferiore a saldare per tubolari 40x3 - 50x3  
Bottom pivot for tube sections 40x3 - 50x3 - weld fixing

COD.	D	H	B	C	E	F	
266.60	60	35	95	34	30	30	4
266.70	70	40	95	44	30	25	4

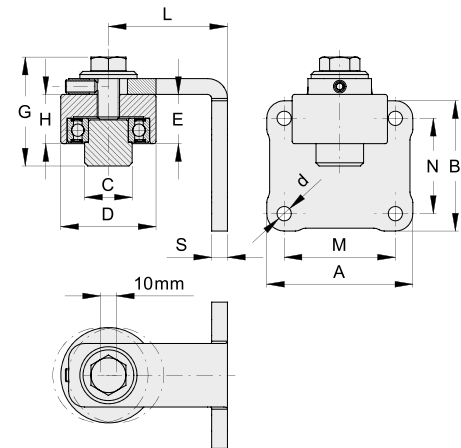


Applicazioni  
Applications

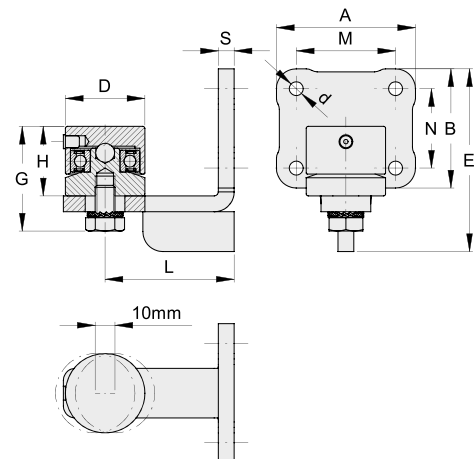


**CARDINI ZINCATI REGOLABILI CON CUSCINETTO A FISSARE CON STAFFA A 4 FORI  
ADJUSTABLE GALVANIZED PIVOT WITH BEARING TO FIX WITH A 4 HOLES BRACKET**

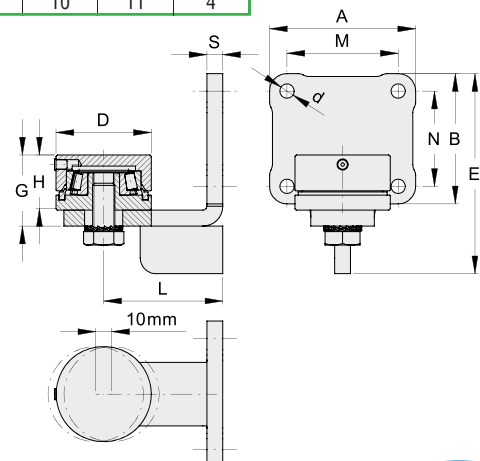
COD.	A	B	C	D	E	G	H	L	M	N	S	d		Cardine superiore Top pivot
262.40	70	60	25	40	30	47	21	60÷70	50	40	8	7	6	
262.50	82	72	30	50	37	55	26	65÷75	60	50	8	9	6	
262.60	92	82	30	60	45	66	31	70÷80	70	60	10	9	4	
262.70	109	94	35	70	46	69	32	75÷85	85	70	10	11	4	



COD.	A	B	D	E	G	H	L	M	N	S	d		Cardine inferiore Bottom bearing pivot
267.40	70	60	40	92	51	35	60÷70	50	40	8	7	8	




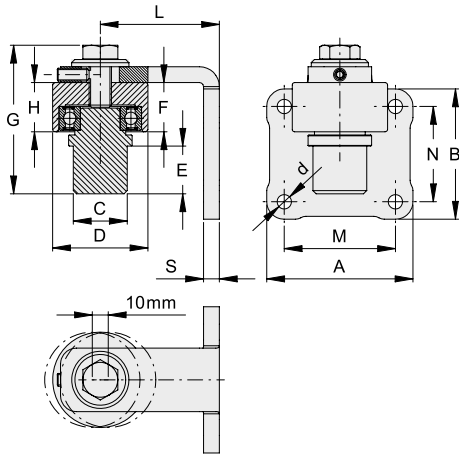
COD.	A	B	D	E	G	H	L	M	N	S	d		Cardine inferiore Bottom bearing pivot
267.50	82	72	50	110	50	32	65÷75	60	50	8	9	6	
267.60	92	82	60	126	55	35	70÷80	70	60	10	9	4	
267.70	109	94	70	143	63	40	75÷85	85	70	10	11	4	




**CARDINI ZINCATI REGOLABILI CON CUSCINETTO A FISSARE CON STAFFA A 4 FORI  
ADJUSTABLE GALVANIZED PIVOT WITH BEARING TO FIX WITH A 4 HOLES BRACKET**

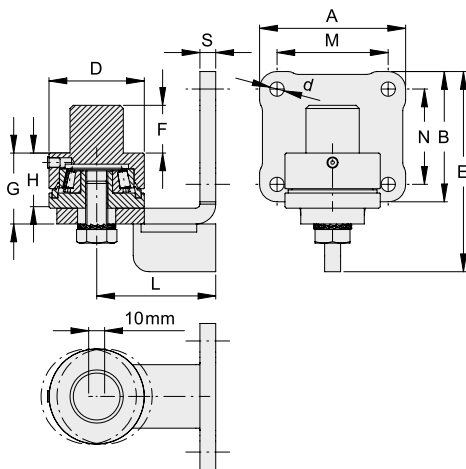
**Cardine superiore per tubolari 40x3 - 50x3  
Top pivot for tube sections 40x3 - 50x3**

COD.	A	B	C	D	E	F	G	H	L	M	N	S	d	
263.60	92	82	34	60	30	42	93	31	70-80	70	60	10	9	4
263.70	109	94	44	70	30	43	96	32	75-85	85	70	10	11	2




**Cardine inferiore per tubolari 40x3 - 50x3  
Bottom bearing pivot for tube sections 40x3 - 50x3**

COD.	A	B	D	E	F	G	H	L	M	N	S	d	
268.60	92	82	60	126	30	86	35	70-80	70	60	10	9	4
268.70	109	94	70	143	27	88	40	75-85	85	70	10	11	2

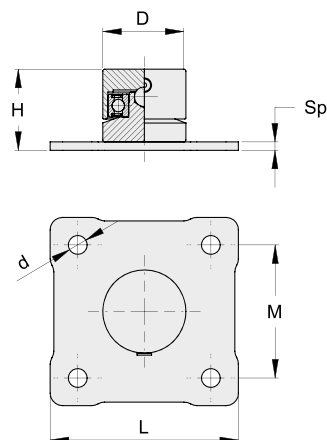
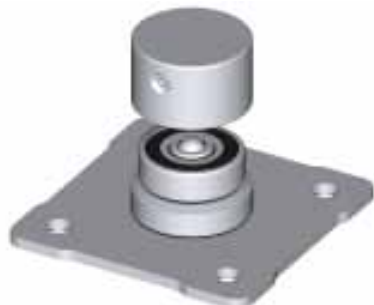



## CARDINI ZINCATI CON CUSCINETTO E PIASTRA GALVANIZED BEARING PIVOT WITH PLATE

COD.	D	H	L	M	Sp	d	
265.40P	40	39	90	64	4	9	6

Cardine inferiore  
Bottom pivot

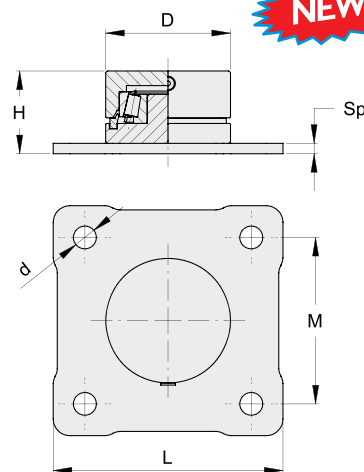
**NEW**






COD.	D	H	L	M	Sp	d	
265.50P	50	36	90	64	4	9	6
265.60P	60	40	110	80	5	11	4
265.70P	70	45	110	80	5	11	4

Cardine inferiore  
Bottom pivot

**NEW**

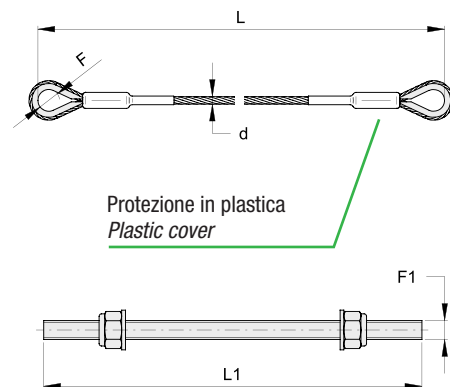
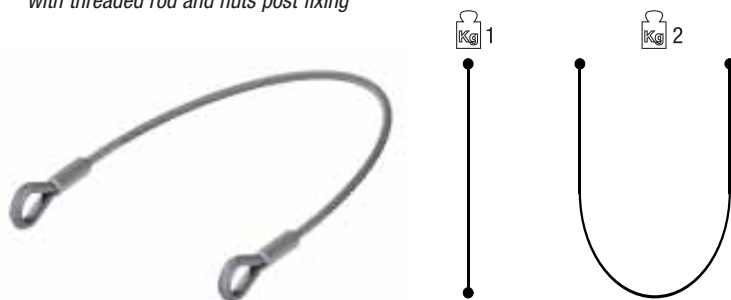


## CAVO ANTICADUTA DI SICUREZZA FALL PROTECTION CABLE

COD.	F	L	d	 Kg 1	 Kg 2	F1	L1	
239.404	11,5	400	4	320	640	-	-	10
239.505	17,5	500	5	500	1000	-	-	10
* 239.404B	11,5	400	4	320	640	M10	200	10
* 239.505B	17,5	500	5	500	1000	M12	200	10

\* con barra filettata e dadi - fissaggio alla colonna  
with threaded rod and nuts post fixing


**NEW**

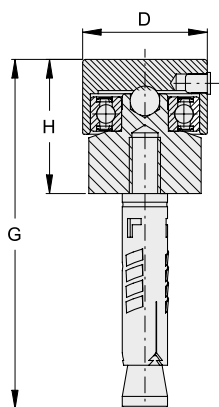


Portata cavo - Coefficiente di sicurezza 2.5  
Cable capacity - Safety factor 2.5


## CARDINI ZINCATI CON CUSCINETTO CON TASSELLO PER FISSAGGIO A TERRA GALVANIZED BOTTOM BEARING PIVOT - GROUND FIXING

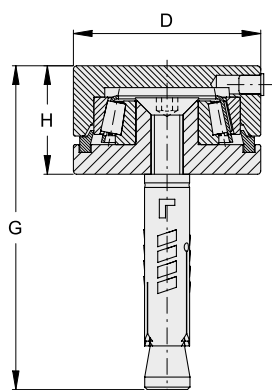
Cardine inferiore  
Bottom pivot

COD.	D	G	H	tasse o foro	foro	
265.40T	40	112	44	M10	15	8




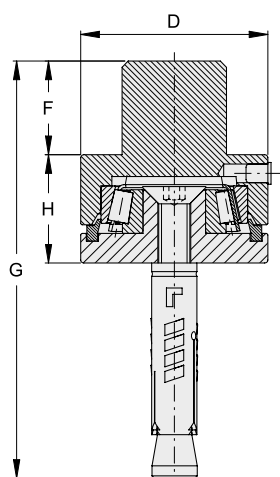
Cardine inferiore  
Bottom pivot

COD.	D	G	H	tasse o foro	foro	
265.50T	50	90	32	M8	12	8
265.60T	60	105	35	M10	15	4
265.70T	70	125	40	M12	18	4





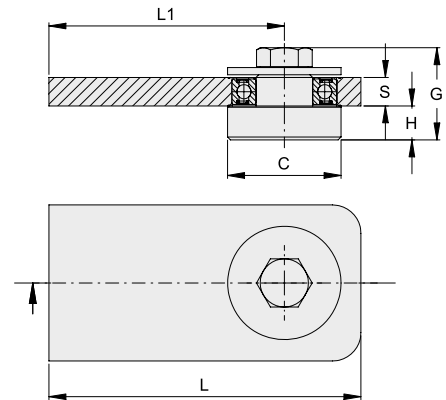
Cardine inferiore per tubolari 40x3 - 50x3  
Bottom pivot for tube sections 40x3 - 50x3

COD.	D	F	G	H	tasse o foro	foro	
266.60T	60	30	135	35	M10	15	4
266.70T	70	25	150	40	M12	18	4




**CARDINE SUPERIORE ZINCATO CON CUSCINETTO A SALDARE**  
**TOP GALVANIZED PIVOT WITH BEARING - WELD FIXING**

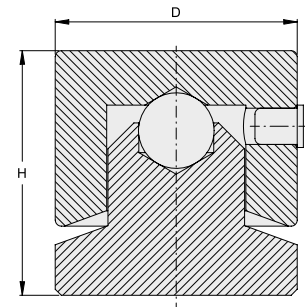
COD.	C	G	H	L	L1	S		
280.30	32	29	12	100	77	8	1	12
280.50	40	32	12	110	82	10	1	8




**CARDINI INFERIORI ZINCATI A SALDARE CON SFERA**  
**GALVANIZED BOTTOM PIVOTS - WELD FIXING**

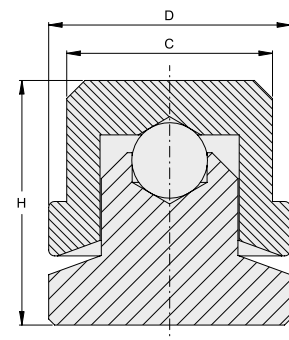
COD.	D	H	d SFERA BALL	
285.30	30	35	9,5	12
285.40	40	40	12,5	12
285.50	50	50	15	8
285.60	60	63	18	8

Cardine inferiore con ingrassatore  
 Bottom pivot with lubrication point




COD.	D	C	H	d SFERA BALL	
286.30	30	26	35	9,5	12
286.35	35	29	35	9,5	12
286.40	40	34	40	12,5	12
286.50	50	44	50	15	8
286.60	60	54	63	18	8

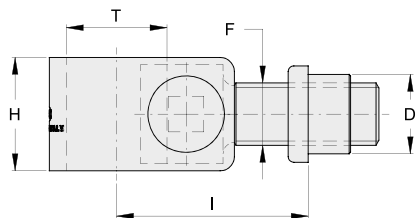
Cardine inferiore per tubolari  
 Bottom pivot for tube sections




## CARDINI ZINCATI A FASCETTA GALVANIZED WRAP-ROUND HINGES

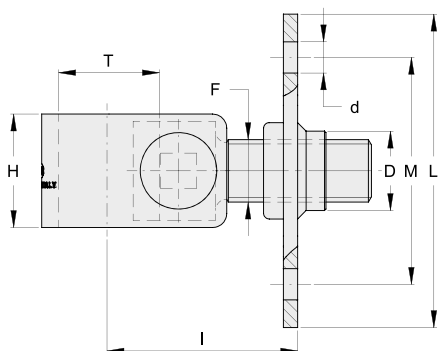
Cardine a saldare  
Hinge - weld fixing

COD.	F	H	T	I	D	
243.18	M18	35	30	43÷75	23	10
243.22	M22	40	35	48÷87	28	6
243.27	M27	45	40	55÷107	35	4




Cardine con piastra  
Hinge with plate

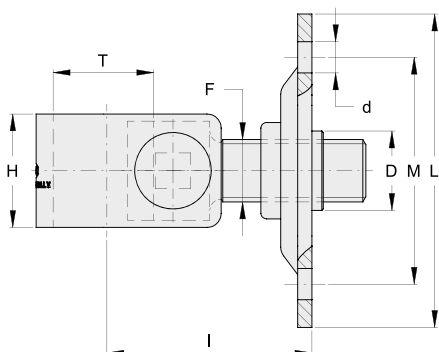
COD.	F	H	T	I	D	d	L	M	
242.18	M18	35	30	47÷70	23	9	90x90	64x64	6
242.22	M22	40	35	53÷80	28	11	110x110	80x80	4
242.27	M27	45	40	63÷85	35	13	130x130	90x90	4




Cardine con piastra imbutita  
Hinge with plate

COD.	F	H	T	I	D	d	L	M	
242B.18	M18	35	30	52÷73	23	9	90x90	64x64	6
242B.22	M22	40	35	59÷88	28	11	110x110	80x80	4
242B.27	M27	45	40	71÷93	35	13	130x130	90x90	4

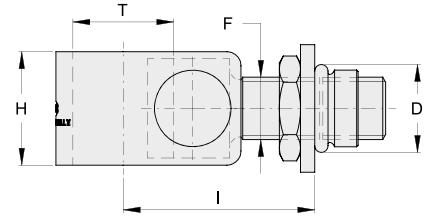
**NEW**




## CARDINI ZINCATI A FASCETTA GALVANIZED WRAP-ROUND HINGES

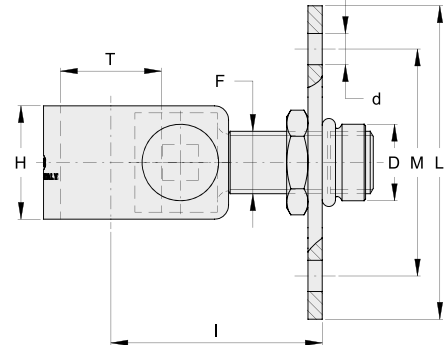
COD.	F	H	T	I	D	
240.18	M18	35	30	50÷70	28	10
240.22	M22	40	35	55÷80	32	6
240.27	M27	45	40	65÷85	39	4


Cardine regolabile a saldare  
Adjustable hinge - weld fixing



COD.	F	H	T	I	D	d	L	M	
241.18	M18	35	30	50÷70	28	9	90x90	64x64	6
241.22	M22	40	35	55÷80	32	11	110x110	80x80	4
241.27	M27	45	40	65÷85	39	13	130x130	90x90	4

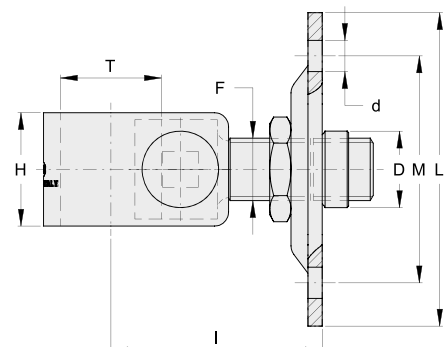
Cardine regolabile con piastra  
Adjustable hinge with plate



COD.	F	H	T	I	D	d	L	M	
241B.18	M18	35	30	55÷73	22	9	90x90	64x64	6
241B.22	M22	40	35	61÷88	27	11	110x110	80x80	4
241B.27	M27	45	40	73÷93	33	13	130x130	90x90	4

Cardine regolabile con piastra imbutita  
Adjustable hinge with plate

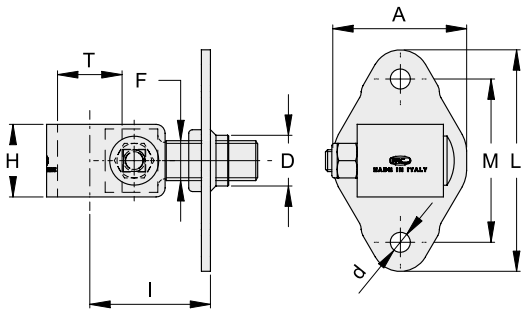
**NEW**




**CARDINI ZINGATI A FASCETTA**  
**GALVANIZED WRAP-ROUND HINGES**

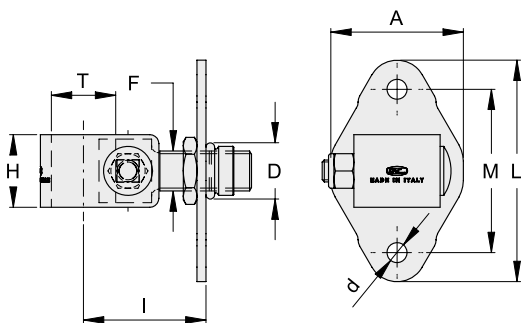
**Cardine con piastrina a 2 fori**  
*Hinge with two-hole small plate*

COD.	F	H	T	I	D	d	L	A	M	
142.18	M18	35	30	47÷70	23	9	100	60	74	6
142.22	M22	40	35	53÷80	28	11	122	73	90	4




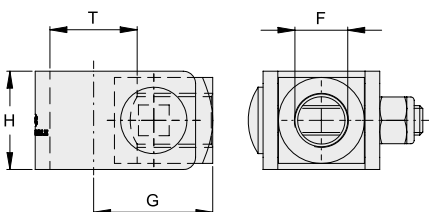
**Cardine regolabile con piastrina a 2 fori**  
*Adjustable hinge with two-hole small plate*

COD.	F	H	T	I	D	d	L	A	M	
141.18	M18	35	30	50÷70	28	9	100	60	74	6
141.22	M22	40	35	55÷80	32	11	122	73	90	4




**Cardine filettato internamente per barra**  
*Internal threaded hinge*

COD.	F	H	T	G	
270.18	M18	35	30	43	10
270.22	M22	40	35	47	10
270.27	M27	45	40	55	6

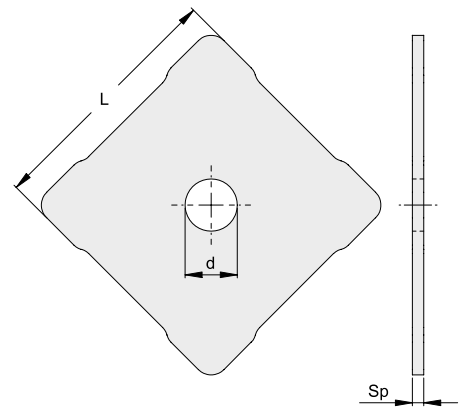



# PIASTRE ZINCATE E FORATE GALVANIZED DRILLED PLATES

ACCESSORI PER CANCELLI AD ANTA  
ACCESSORIES FOR SWING GATES

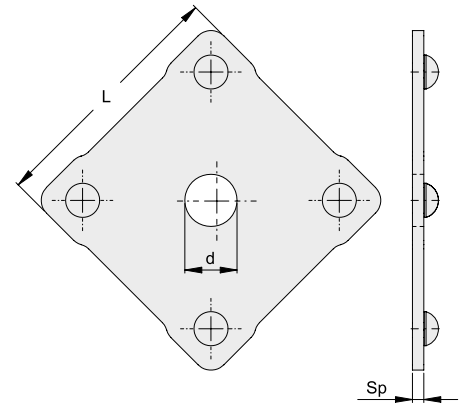
COD.	L	Sp	d	
271.18	90x90	4	18.5	10
271.22	110x110	5	23	10
271.27	130x130	5	28	6

Piastra standard  
Standard plate

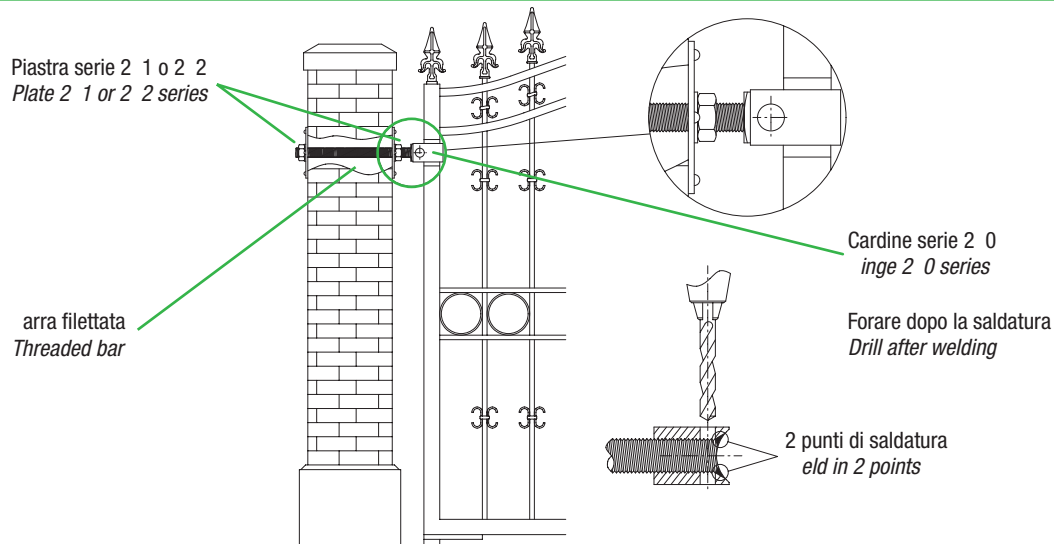


COD.	L	Sp	d	
272.18	90x90	4	18.5	10
272.22	110x110	5	23	10
272.27	130x130	5	28	6

Piastra DECOR  
DECOR plate




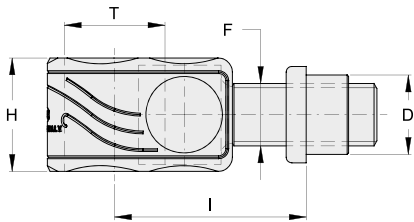
## Applicazioni Applications



**CARDINI ZINGATI DECORATI A FASCETTA**  
**DECORATED GALVANIZED WRAP-ROUND HINGES**

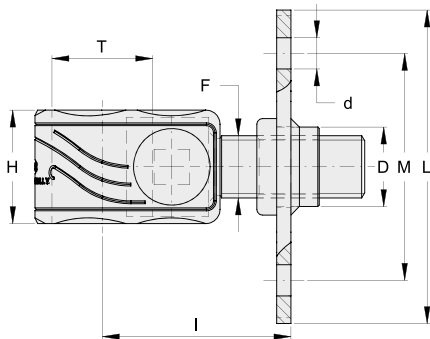
**Cardine a saldare**  
**Hinge - weld fixing**

COD.	F	H	T	I	D	
<b>243.18D</b>	M18	35	30	43÷75	28	10
<b>243.22D</b>	M22	40	35	48÷87	32	6
<b>243.27D</b>	M27	45	40	55÷107	35	4




**Cardine con piastra**  
**Hinge with plate**

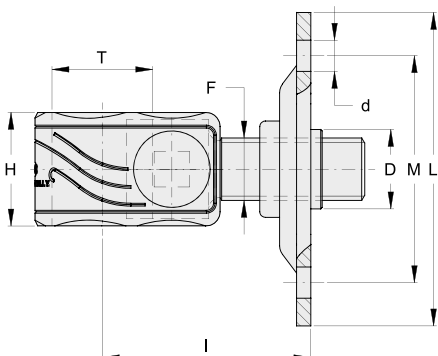
COD.	F	H	T	I	D	d	L	M	
<b>242.18D</b>	M18	35	30	47÷70	23	9	90x90	64x64	6
<b>242.22D</b>	M22	40	35	53÷80	28	11	110x110	80x80	4
<b>242.27D</b>	M27	45	40	63÷85	35	13	130x130	90x90	4




**Cardine con piastra imbutita**  
**Hinge with plate**

COD.	F	H	T	I	D	d	L	M	
<b>242B.18D</b>	M18	35	30	52÷73	23	9	90x90	64x64	6
<b>242B.22D</b>	M22	40	35	59÷88	28	11	110x110	80x80	4
<b>242B.27D</b>	M27	45	40	71÷93	35	13	130x130	90x90	4

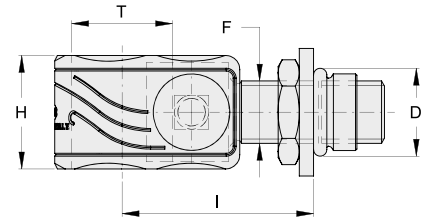
**NEW**




## CARDINI ZINCATI DECORATI A FASCETTA DECORATED GALVANIZED WRAP-ROUND HINGES

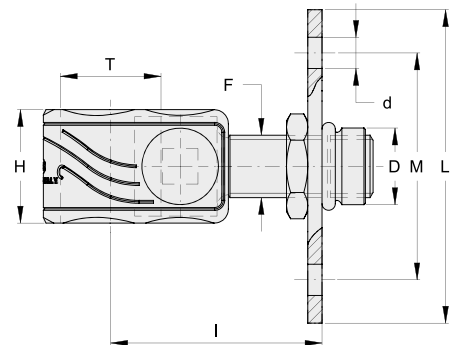
COD.	F	H	T	I	D	
240.18D	M18	35	30	50÷65	28	10
240.22D	M22	40	35	55÷76	32	6
240.27D	M27	45	40	65÷85	39	4


Cardine regolabile a saldare  
Adjustable hinge - weld fixing



COD.	F	H	T	I	D	d	L	M	
241.18D	M18	35	30	50÷65	28	9	90x90	64x64	6
241.22D	M22	40	35	55÷76	32	11	110x110	80x80	4
241.27D	M22	45	40	65÷85	39	13	130x130	90x90	4

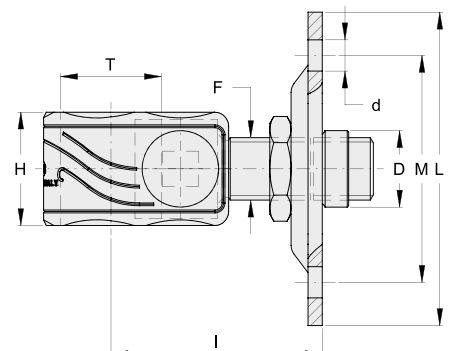
Cardine regolabile con piastra  
Adjustable hinge with plate



COD.	F	H	T	I	D	d	L	M	
241B.18D	M18	35	30	55÷70	22	9	90x90	64x64	6
241B.22D	M22	40	35	61÷82	27	11	110x110	80x80	4
241B.27D	M27	45	40	73÷93	33	13	130x130	90x90	4

Cardine regolabile con piastra imbutita  
Adjustable hinge with plate

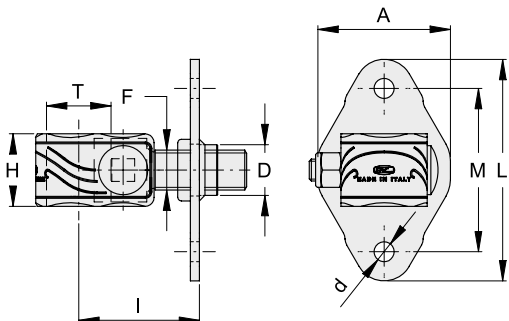
**NEW**




## CARDINI ZINGATI DECORATI A FASCETTA DECORATED GALVANIZED WRAP-ROUND HINGES

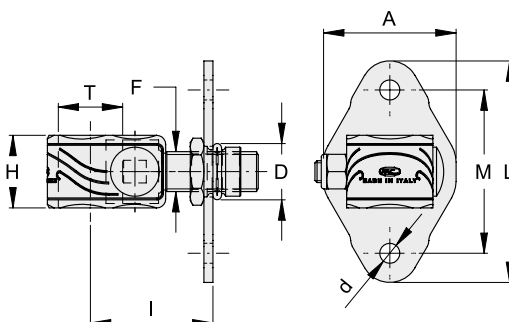
Cardine con piastrina a 2 fori  
Hinge with two-holes small plate

COD.	F	H	T	I	D	d	L	A	M	
142.18D	M18	35	30	47÷70	23	9	100	60	74	6
142.22D	M22	40	35	53÷80	28	11	122	73	90	4




Cardine regolabile con piastrina 2 fori  
Adjustable hinge with two holes small plate

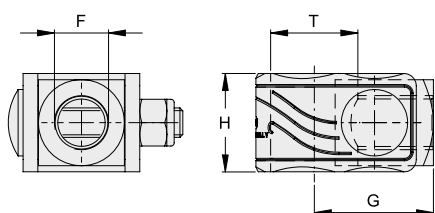
COD.	F	H	T	I	D	d	L	A	M	
141.18D	M18	35	30	50÷70	28	9	100	60	74	6
141.22D	M22	40	35	55÷80	32	11	122	73	90	4




## CARDINE PASSANTE ZINGATO DECORATO A FASCETTA DECORATED GALVANIZED WRAP-ROUND HINGE

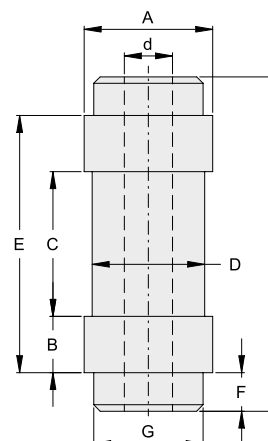
Cardine filettato internamente per barra  
Internal threaded hinge


COD.	F	H	T	G	
270.18D	M18	35	30	43	10
270.22D	M22	40	35	47	10
270.27D	M27	45	40	55	6

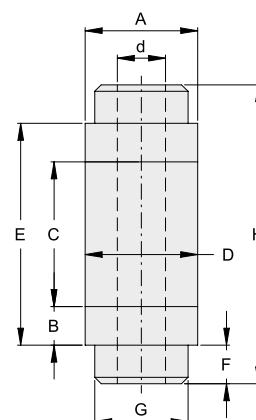


**PERNI DI COLLEGAMENTO FORATI - LUCIDI**  
**LINKING DRILLED PINS - BLACK**


COD.	D	A	G	H	E	B	C	F	d	
247.18F	30	35	29	89	69	14.5	40	10	15	10
247.22F	35	40	34	104	80	17.5	45	12	15	6
247.27F	40	50	44	110	80	15	50	15	15	4

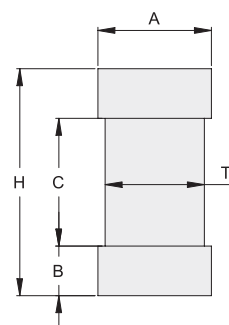


COD.	D	A	G	H	E	B	C	F	d	
247.30F	30	30	24	80	60	10	40	10	15	10
247.35F	35	35	29	93	69	12	45	12	15	6
247.40F	40	40	34	110	80	15	50	15	15	4




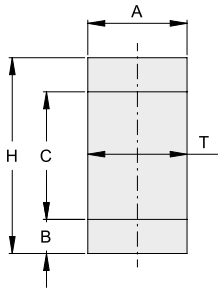
**PERNI DI COLLEGAMENTO E GUIDA SUPERIORE - LUCIDI**  
**CONNECTIONS AND GUIDE PINS - BLACK**


COD.	T	H	A	B	C	
247.18	30	69	35	14.5	40	10
247.22	35	80	40	17.5	45	6
247.27	40	80	50	15	50	4

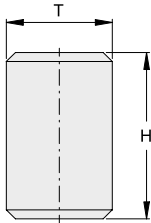



**PERNI DI COLLEGAMENTO E GUIDA SUPERIORE - LUCIDI**  
**CONNECTIONS AND GUIDE PINS - BLACK**

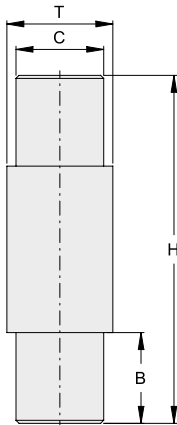
COD.	T	H	A	B	C	
247.30	30	60	30	10	40	10
247.35	35	69	35	12	45	6
247.40	40	80	40	15	50	4



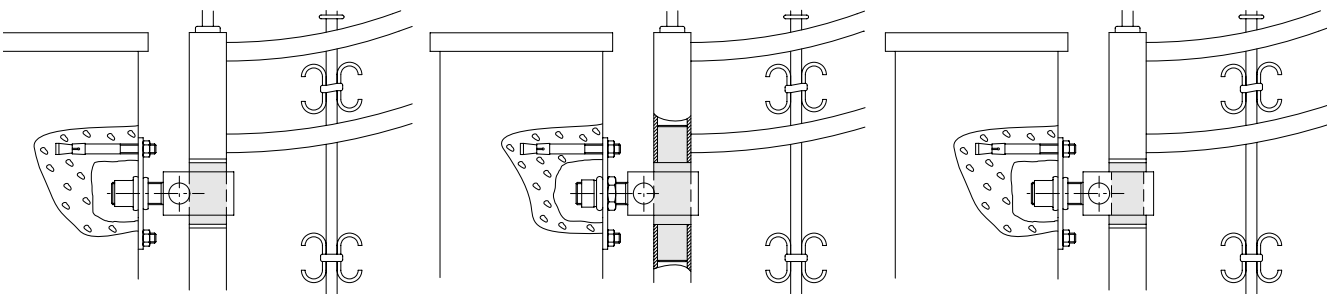
COD.	T	H	
245.30	30	50	10
245.35	35	55	6
245.40	40	70	4




COD.	T	H	B	C	
246.30	30	110	30	24	10
246.35	35	115	30	29	6
246.L	35	115	30	34	6
246.40	40	130	30	34	4



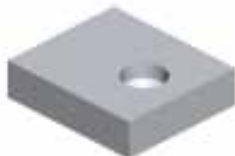
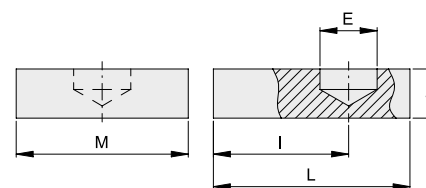
**Applicazioni**  
**Applications**




## PIASTRE INFERIORI ZINCATE PER CARDINE A FASCETTA GALVANIZED BOTTOM PLATE FOR WRAP-ROUND HINGE

COD.	E	I	L	S	M	
255.30S	20	51	75	15	60	10
255.35S	23	55	80	20	70	6
255.40S	28	65	90	20	80	4

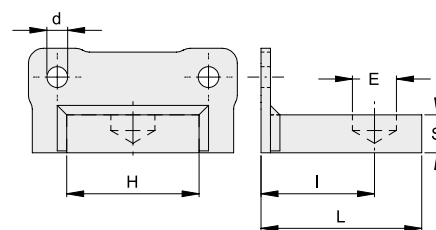
**Piastra inferiore a saldare**  
*Bottom plate - weld fixing*




Cod. **255.30S** va abbinato ai cardini in ferro battuto M1  
Cod. **255.35S** va abbinato ai cardini in ferro battuto M22  
Cod. **255.40S** va abbinato ai cardini in ferro battuto M2  
*Cod. 255 30S for wrought iron pivots M1*  
*Cod. 255 35S for wrought iron pivots M22*  
*Cod. 255 40S for wrought iron pivots M2*

COD.	L	S	I	E	H	d	
255.30P	79	15	55	20	60	9	10
255.35P	85	20	60	23	70	11	6
255.40P	95	20	70	28	80	13	4

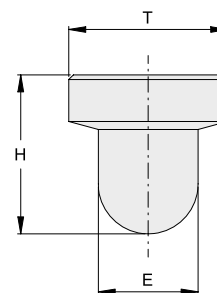
**Piastra inferiore a fissare**  
*Bottom plate to fix*




## PERNI INFERIORI-LUCIDI BOTTOM PINS-BLACK

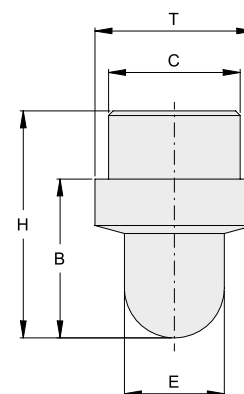
COD.	T	H	E	
250.30	30	35	19	10
250.35	35	35	22	6
250.40	40	35	27	4

**Perno inferiore**  
*Bottom pin*




COD.	T	H	B	C	E	
251.30	30	50	35	24	19	10
251.35	35	50	35	29	22	6
251.L	35	50	35	34	22	6
251.40	40	50	35	34	27	4

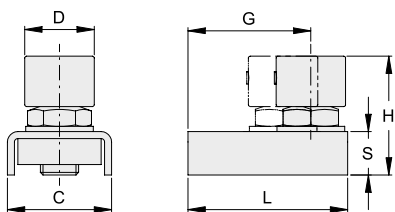
**Perno inferiore per tubolare**  
*Bottom pin for tube sections*



## CARDINI INFERIORI ZINCATI REGOLABILI BOTTOM ADJUSTABLE GALVANIZED PIVOT

### Cardine a saldare Pivot - weld fixing


COD.	D	C	L	H	G	S	
287.30	30	50	84	60	45÷63	22	6
287.40	40	60	92	68,5	50÷70	25	4
287.50	50	70	109	79,5	60÷80	25	4

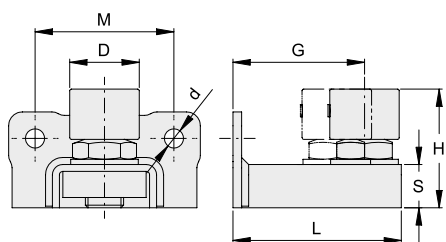


Cod. **287.30** va abbinato ai cardini in ferro battuto M1  
Cod. **287.40** va abbinato ai cardini in ferro battuto M22  
Cod. **287.50** va abbinato ai cardini in ferro battuto M2

*Cod. 287 30 for wrought iron pivots M1  
Cod. 287 40 for wrought iron pivots M22  
Cod. 287 50 for wrought iron pivots M2*

### Cardine con piastra Pivot with plate

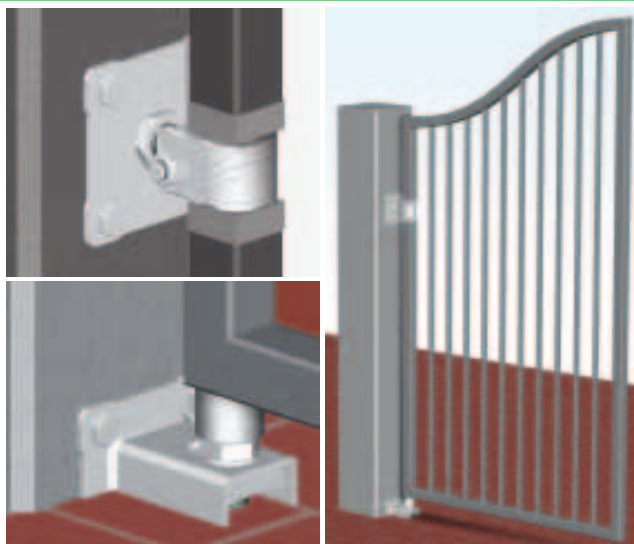
COD.	D	L	H	G	S	M	d	
287.30P	30	88	60	49÷67	22	64	9	6
287.40P	40	97	68,5	55÷75	25	80	11	4
287.50P	50	114	79,5	65÷85	25	90	13	4




Cod. **287.30P** va abbinato ai cardini in ferro battuto M1  
Cod. **287.40P** va abbinato ai cardini in ferro battuto M22  
Cod. **287.50P** va abbinato ai cardini in ferro battuto M2

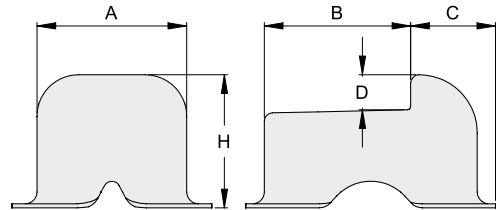
*Cod. 287 30P for wrought iron pivots M1  
Cod. 287 40P for wrought iron pivots M22  
Cod. 287 50P for wrought iron pivots M2*

### Applicazioni Applications




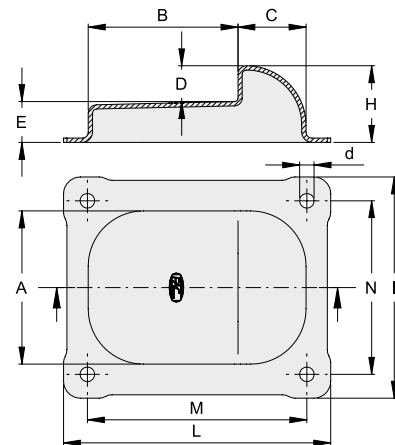
**BATTENTI D ARRESTO ZINCATI PER CANCELLI A 2 ANTE  
GALVANIZED CENTRE STOPS FOR DOUBLE SWING GATES**

COD.	A	B	C	D	H	
145	72	66	34	18	70	40
146	90	90	40	21	86	20




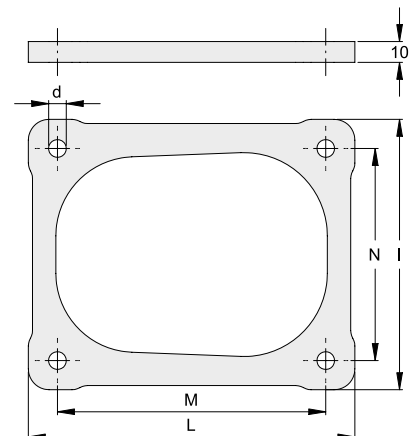
**Battente flangiato da avvitare  
Flanged centre stop - fixing by screws**

COD.	A	B	C	D	E	H	d	L	I	M	N	
145F	70	66	34	18	19	37	6.5	122	100	100	78	20
146F	90	90	40	21	23	44	8.5	157	130	129	102	10




**PIASTRINE ZINCATE DI SOLLEVAMENTO PER BATTENTI FLANGIATI  
GALVANIZED LIFTING PLATES FOR THE BOTTOM FLANGED CENTRE STOPS**

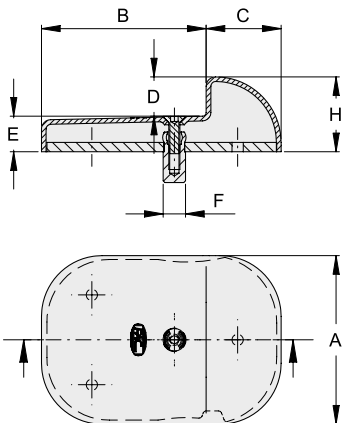
COD.	d	L	I	M	N	
145FSP	6.5	122	100	100	78	8
146FSP	8.5	157	130	129	102	8




**BATTENTE ZINCATO CON PIASTRA INTERNA**  
**GALVANIZED CENTRE STOP WITH INTERNAL PLATE**

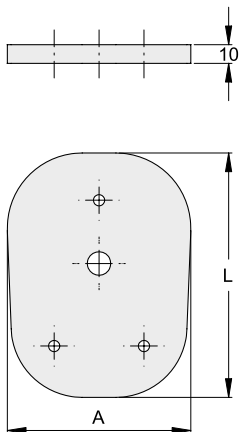
**Battente da avvitare**  
*Centre stop fixing by screws*

COD.	A	B	C	D	E	F	H	
145P	70	66	34	18	13	12	31	10
146P	90	90	40	21	18	12	39	4



**PIASTRINA ZINCATA DI SOLLEVAMENTO PER BATTENTE A FISSARE**  
**GALVANIZED LIFTING PLATE FOR THE BOTTOM END STOP TO FIX**

COD.	A	L	
145SP	74	102	10
146SP	98	130.5	4




**Applicazioni**  
**Applications**

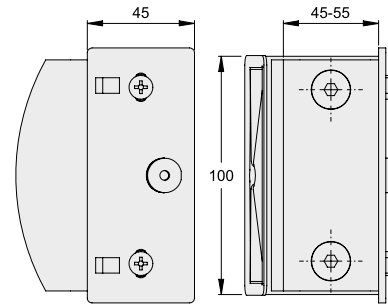



Viti di fissaggio non incluse  
*Fixing screws not included*

**BATTENTI PORTA INCONTRO ZINCATI PER ELETTROSERRATURA**  
**GALVANIZED STRIKES FOR ELECTRIC LOCKS**

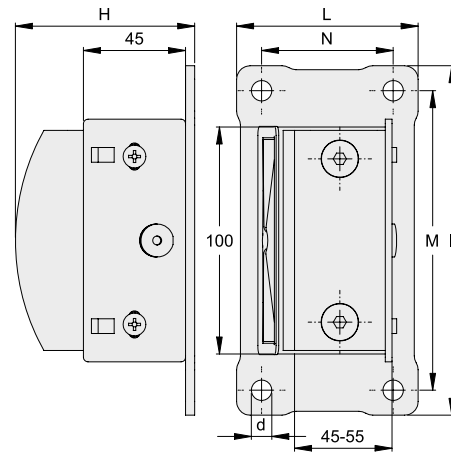
COD.	
150	4


**Battente regolabile**  
*Adjustable strike*



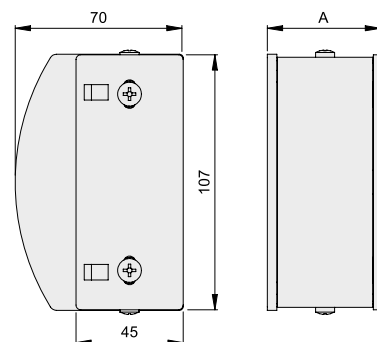
COD.	H	I	L	M	N	d	
150P	79.5	154	80	132	58	9	2

**Battente regolabile con piastra**  
*Adjustable strike with plate*




COD.	A	
151.30	30	6
151.35	35	6
151.40	40	6
151.50	50	4
151.60	60	4

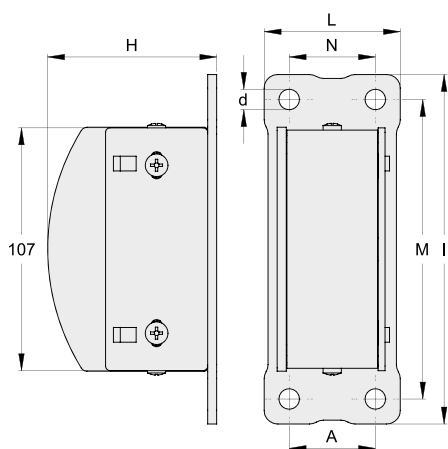
**Battente fisso**  
*Fixed strike*




## BATTENTI PORTA INCONTRO ZINCATI PER ELETTROSERRATURA CON PIASTRA GALVANIZED STRIKES WITH PLATE FOR ELECTRIC LOCKS

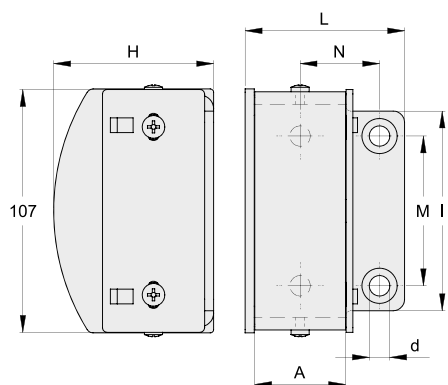
### Battente fisso Fixed strike

COD.	A	H	I	L	M	N	d	
151.30P	30	74	154	60	132	38	9	4
151.35P	35	74	154	60	132	38	9	4
151.40P	40	74	154	60	132	38	9	2
151.50P	50	74	154	80	132	58	9	2
151.60P	60	74	154	80	132	58	9	2

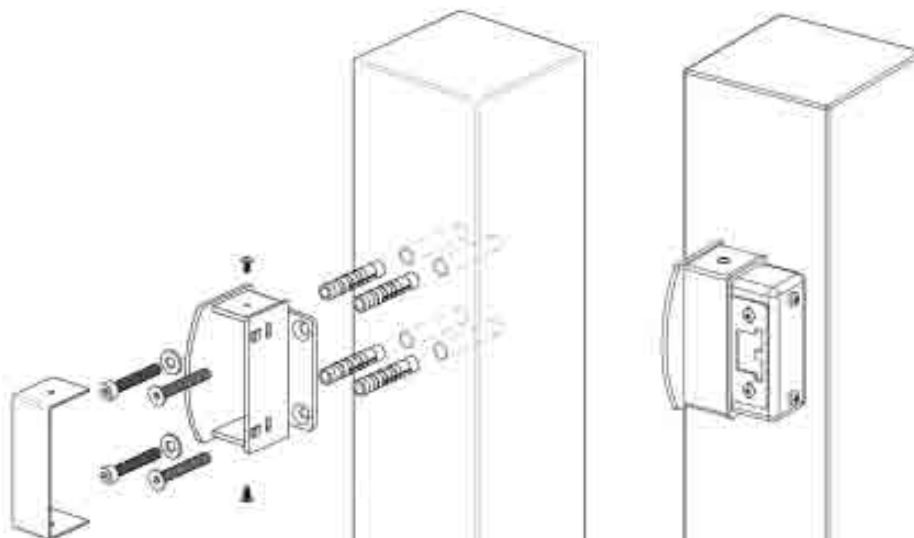


### Battente con 4 fori nascosti Strike with 4 hidden holes


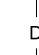
COD.	A	H	I	L	M	N	d	
152.30	30	70	90	60	66	30	9	6
152.35	35	70	90	65	66	30.75	9	6
152.40	40	70	90	70	66	35	9	6
152.50	50	70	90	80	66	40	9	4



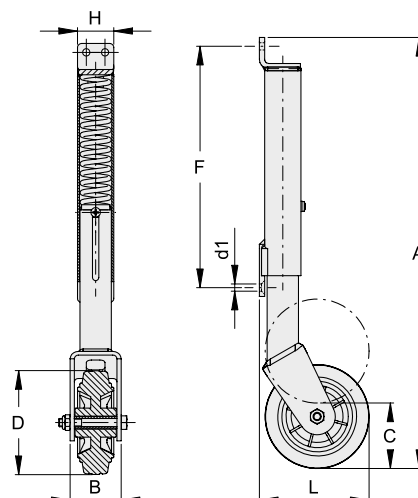
### Applicazioni Applications





## RUOTE TELESCOPICHE ZINCATE A CALDO HOT GALVANIZED JOCKEY WHEELS

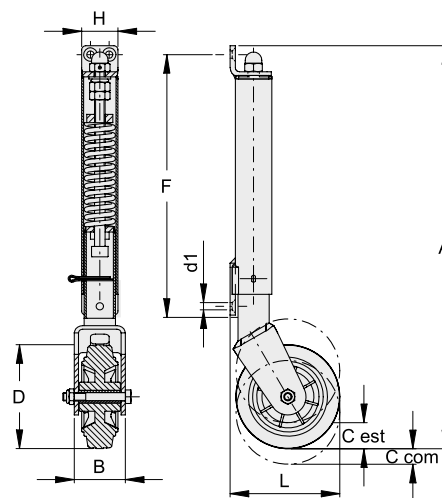
COD.	D	H	B	A	C	L	F	d1		
755.100	100	35	43	351-414	63	105.5	232.5	7	80	1
755.125	125	50	50	440-507	67	131	298	9	250	2

Ruota telescopica semplice  
*Simple jockey wheel*



COD.	D	H	B	A	C est	C om	L	F	d1		
750.100	100	35	43	387	25	15	106	242	7	80	1
750.125	125	50	50	529	47	19.5	131	332	9	250	2

Ruota telescopica regolabile  
*Adjustable jockey wheel*



### Applicazioni *Applications*

