

Spring hinges

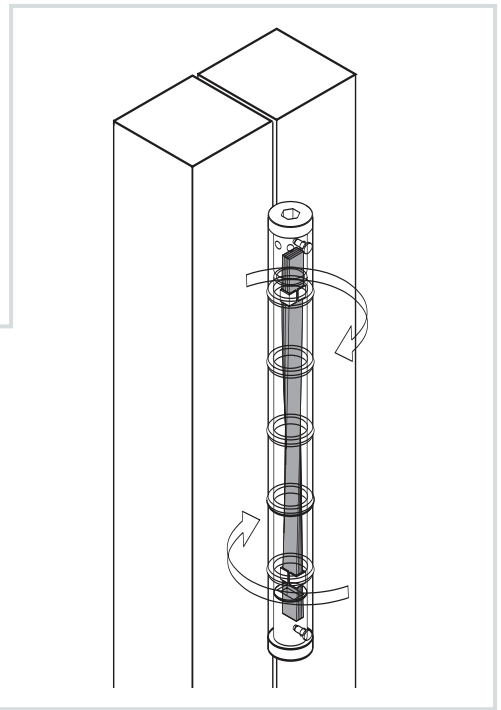
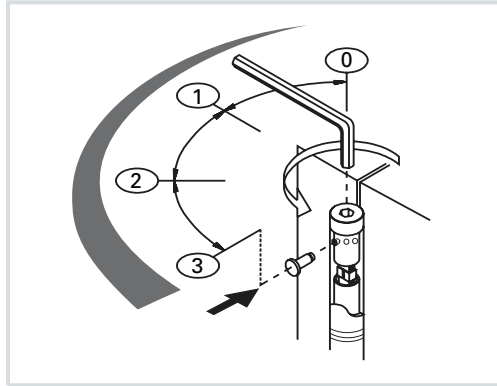
A range of hinges which are suitable for internal and external use, all of which have adjustable strength leaf springs; fully tested to 500,000 cycles.

Aluminium hinges:

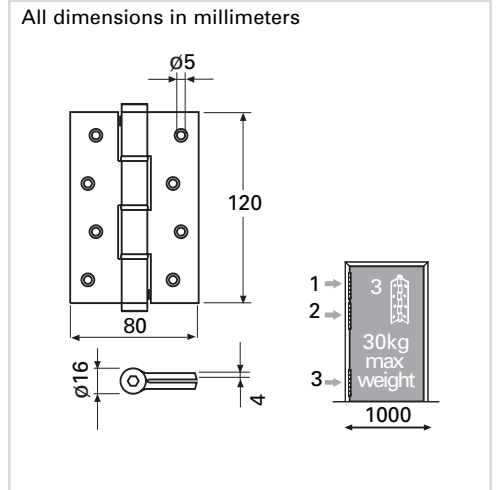
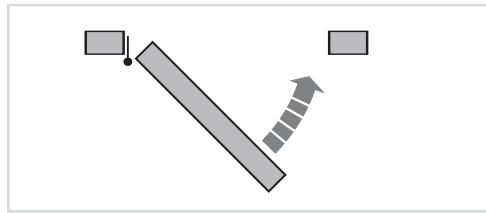
For internal use only
Nylon washers with mild steel springs
Finish - anodised silver or gold

Stainless Steel Hinges:

For internal and external use
Stainless steel washers and springs
Material - Stainless steel grade 304



Single action hinges

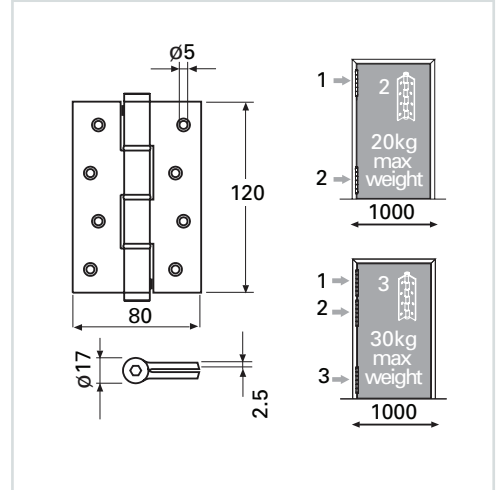


MODEL SA120/5314.01

Single action silver anodised

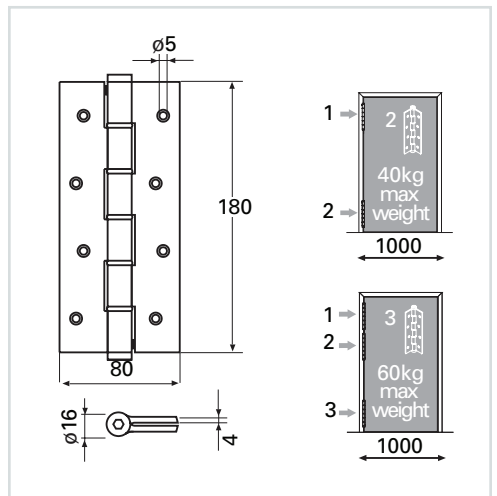
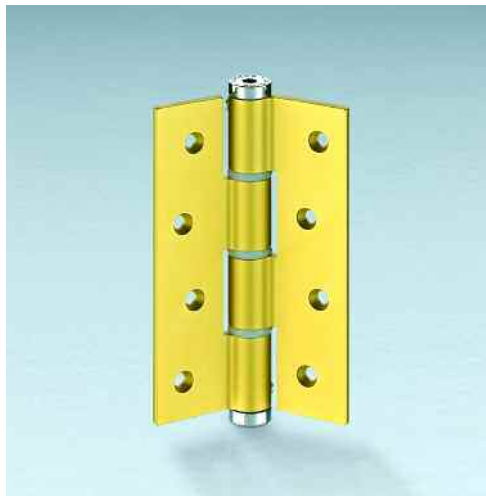
MODEL SA120/5314.02

Single action gold anodised



MODEL SA120/5314.05

Single action stainless steel

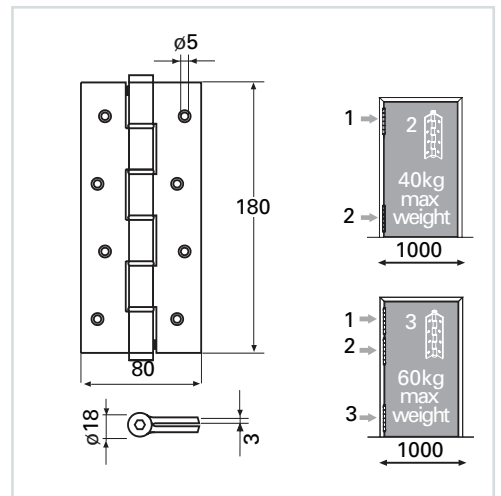


MODEL SA180/5814.01

Single action silver anodised

MODEL SA180/5814.02

Single action gold anodised



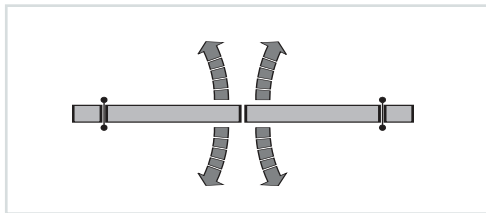
MODEL SA180/5814.05

Single action stainless steel

MODEL SA120/5314.02

Gold anodised

Double action hinges



Typical two door installation

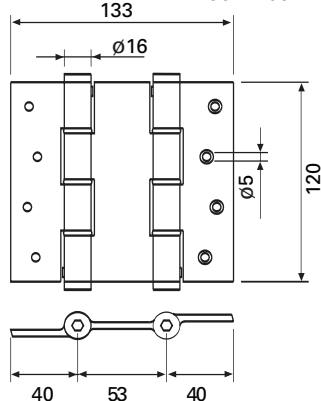
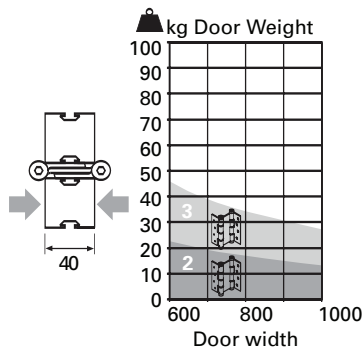


MODEL DA120/5414.01
Silver anodised



MODEL DA120/5414.05
Stainless steel

All dimensions in millimeters

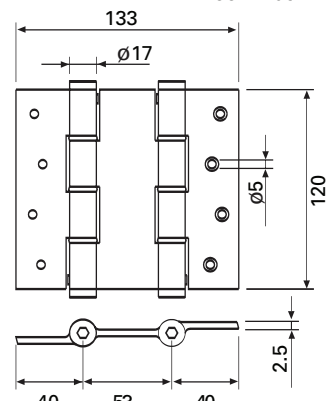
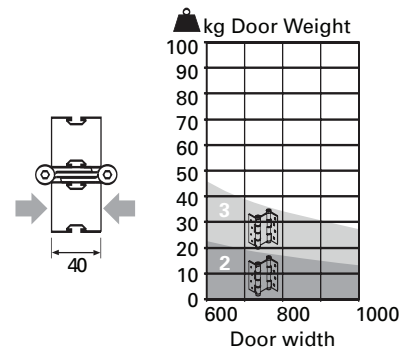


MODEL DA120 5414.01

Double action silver anodised

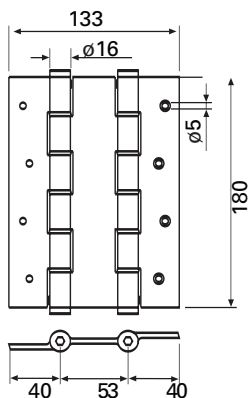
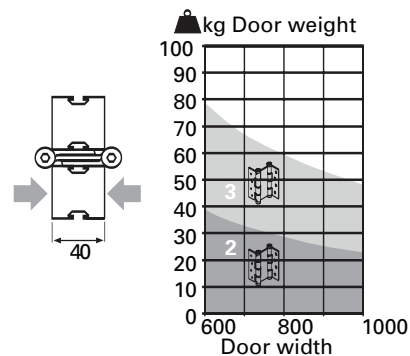
MODEL DA120 5414.02

Double action gold anodised



MODEL DA120/5414.05

Double action stainless steel

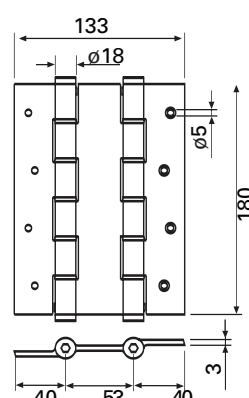
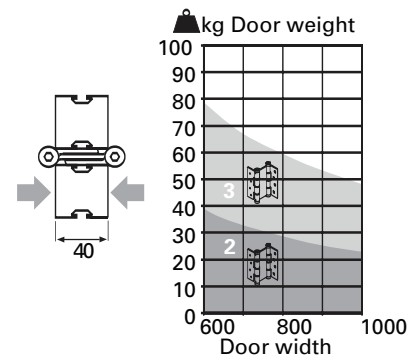


MODEL DA180/5914.01

Double action silver anodised

MODEL DA180/5914.02

Double action gold anodised



MODEL DA180/5914.05

Double action stainless steel