

TITLE	<b>CONCEALED ROD TOUCH BAR PR-7100 SERIES</b>	SHEET No. <b>4:21</b>
SUB TITLE	<b>CONCEALED ROD TOUCH BAR PANIC EXIT DEVICE PR-7100</b>	

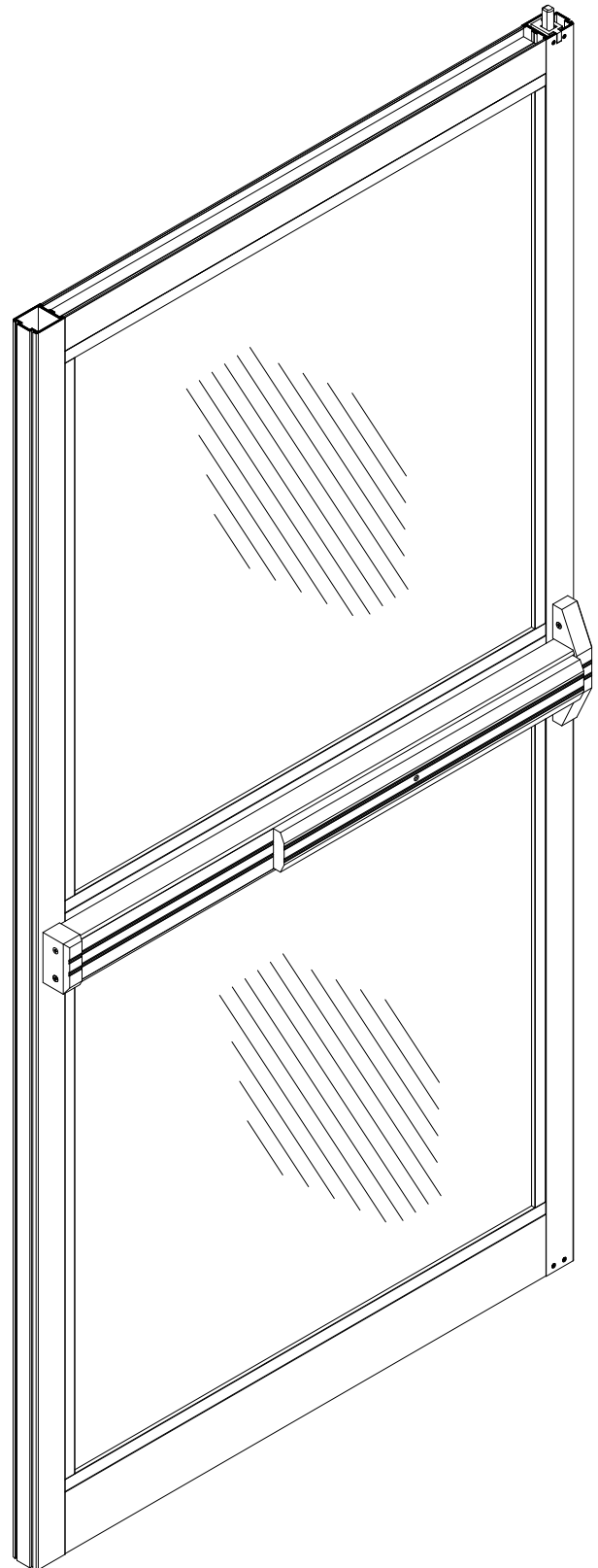
Panic exit device,  
concealed vertical rod,  
42" flat touch bar

Aluminium PR-7100-AL  
Bronze PR-7100-DU  
Black PR-7100-BK

Extension rod with coupler  
(300mm extension) RE-712

Rim cylinder lock (supplied with 2 keys)  
Aluminium RC-785-AL  
Bronze RC-785-DU  
Black RC-785-BK

Rim cylinder lock keyed alike  
Aluminium RC-785-AL KA

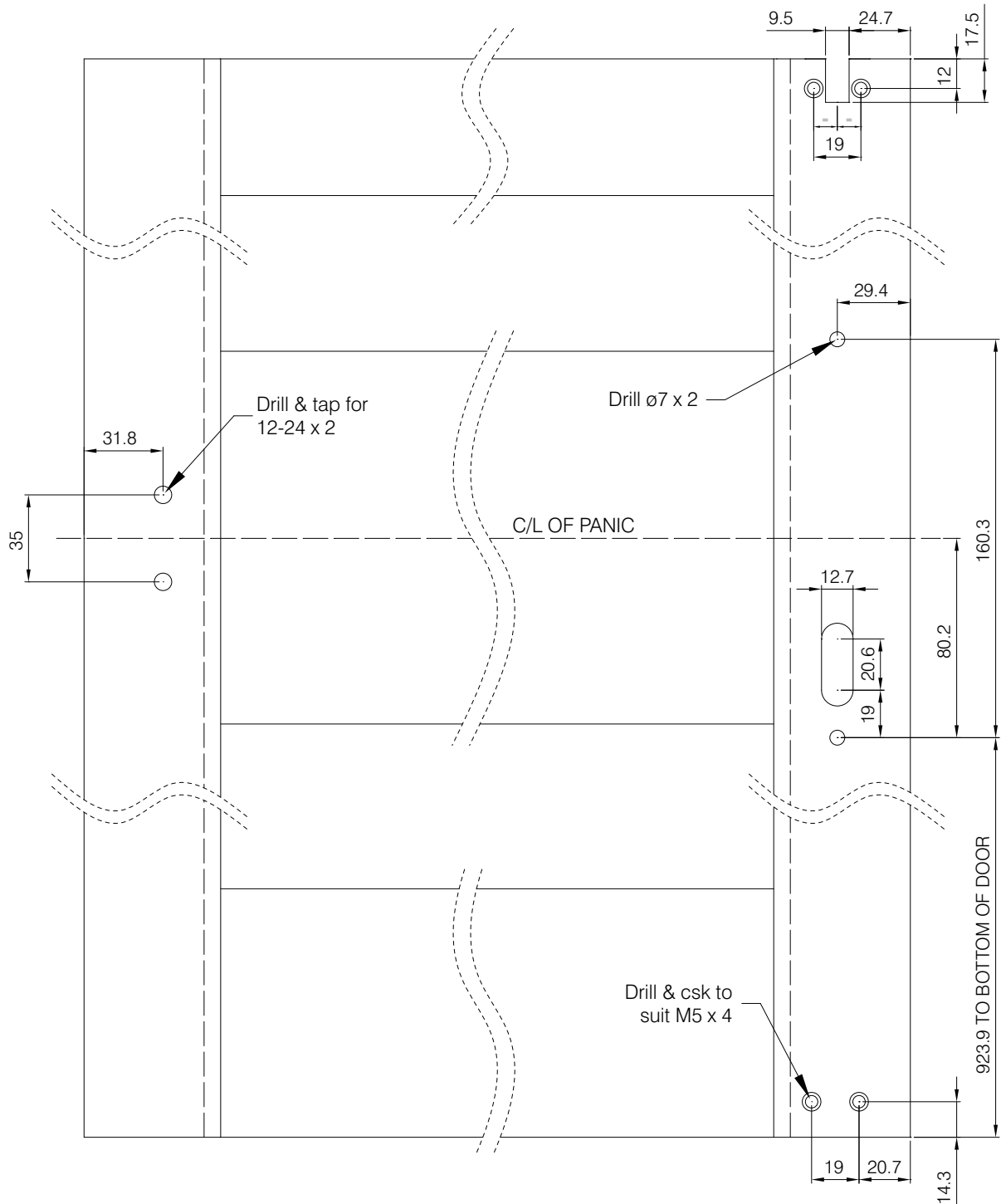
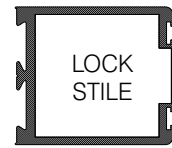


## THE PARKSIDE GROUP LTD

UNIT 5, THE WILLOW CENTRE  
17 WILLOW LANE, MITCHAM, SURREY, CR4 4NX  
Tel: 020-8685 9685 Fax: 020-8646 5096  
Email: [axim@parksidegrp.co.uk](mailto:axim@parksidegrp.co.uk)  
Web Site: <http://www.axim.co.uk>

SCALE	NTS @A4
DATE	MARCH 2014
For scaled technical or CAD drawings, please contact AXIM.	

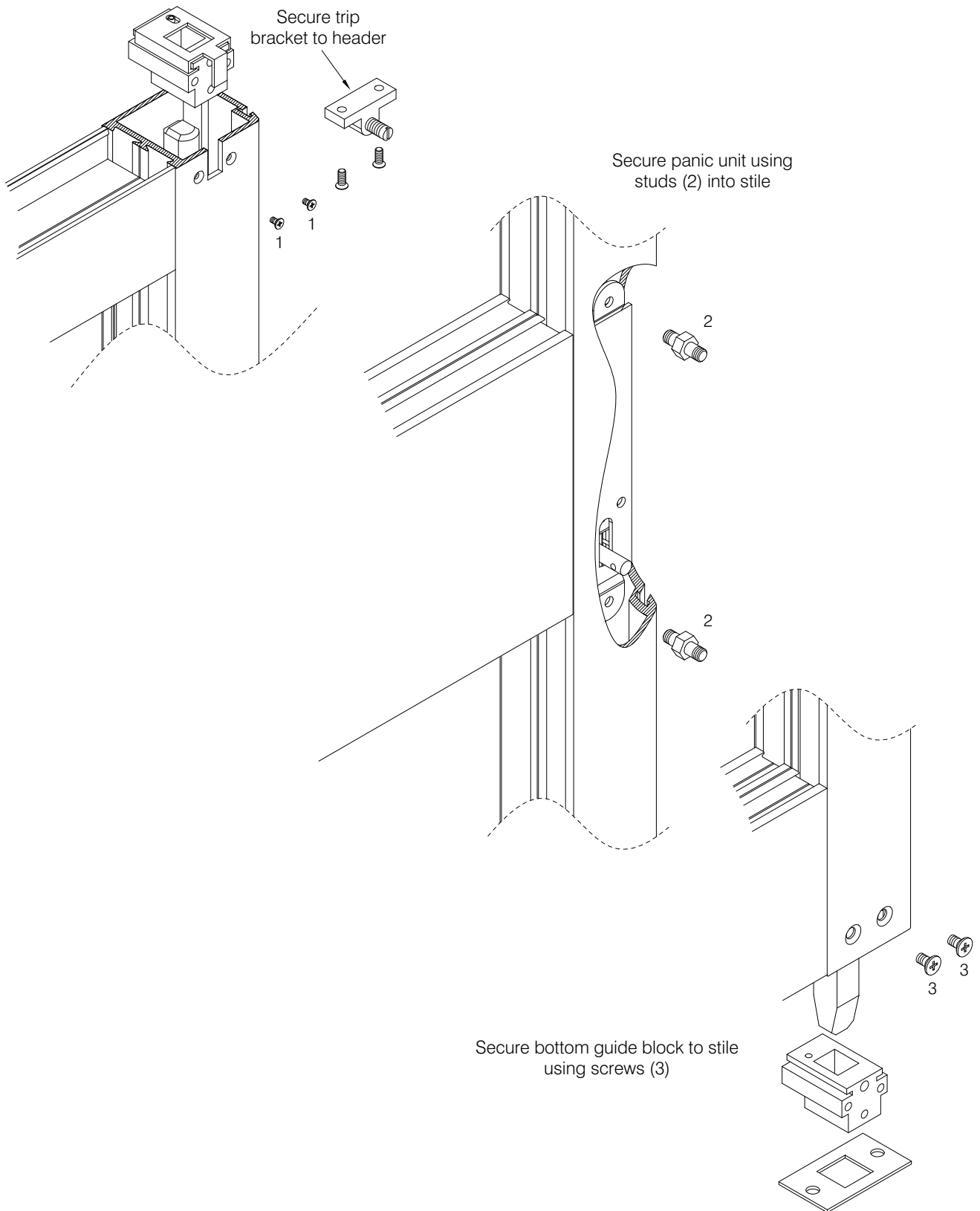




**THE PARKSIDE GROUP LTD**

UNIT 5, THE WILLOW CENTRE  
17 WILLOW LANE, MITCHAM, SURREY, CR4 4NX  
Tel: 020-8685 9685 Fax: 020-8646 5096  
Email: axim@parksidegrp.co.uk  
Web Site: <http://www.axim.co.uk>

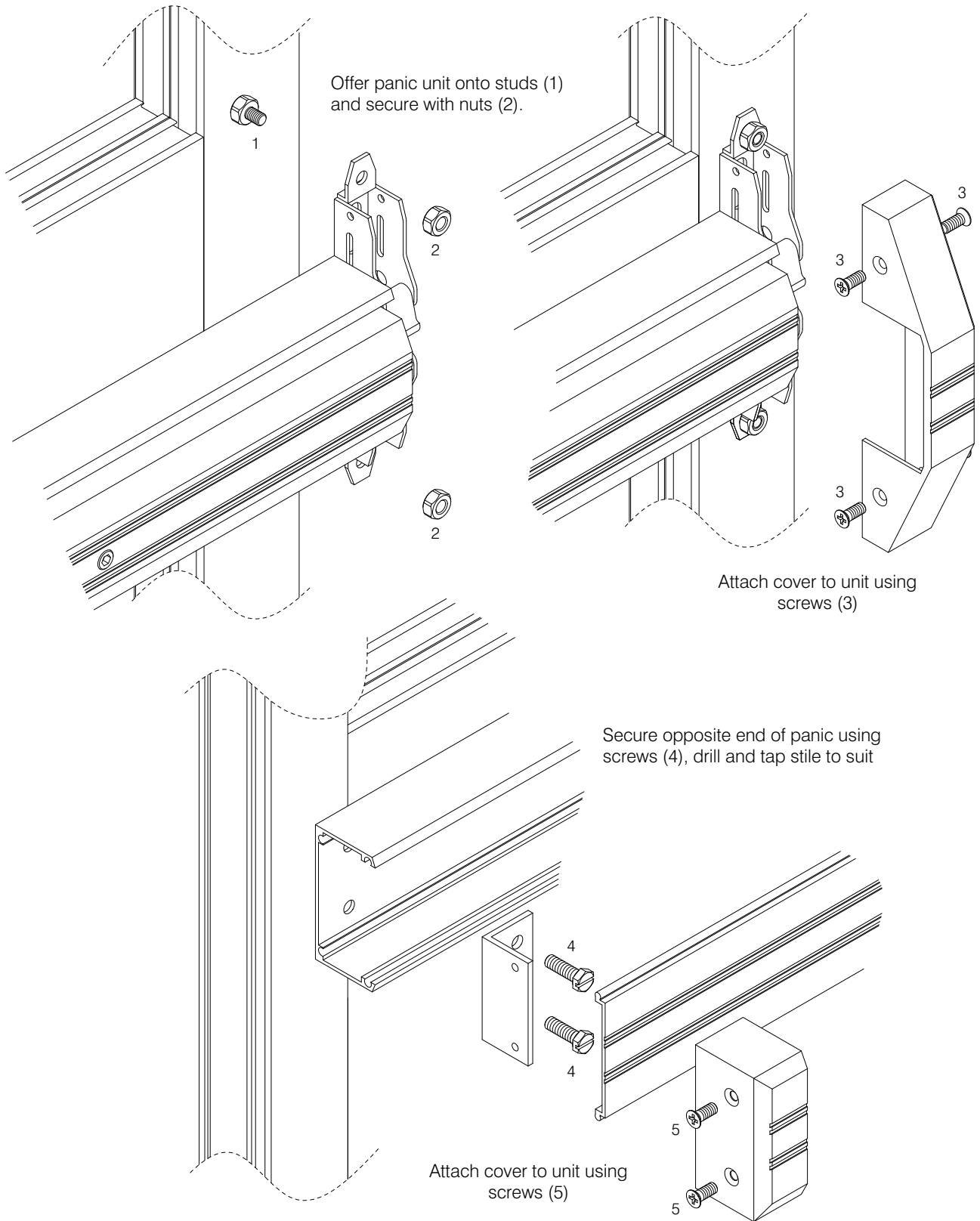
SCALE	NTS @A4
DATE	MARCH 2014
For scaled technical or CAD drawings, please contact AXIM.	



**THE PARKSIDE GROUP LTD**

UNIT 5, THE WILLOW CENTRE  
17 WILLOW LANE, MITCHAM, SURREY, CR4 4NX  
Tel: 020-8685 9685 Fax: 020-8646 5096  
Email: axim@parksidegrp.co.uk  
Web Site: <http://www.axim.co.uk>

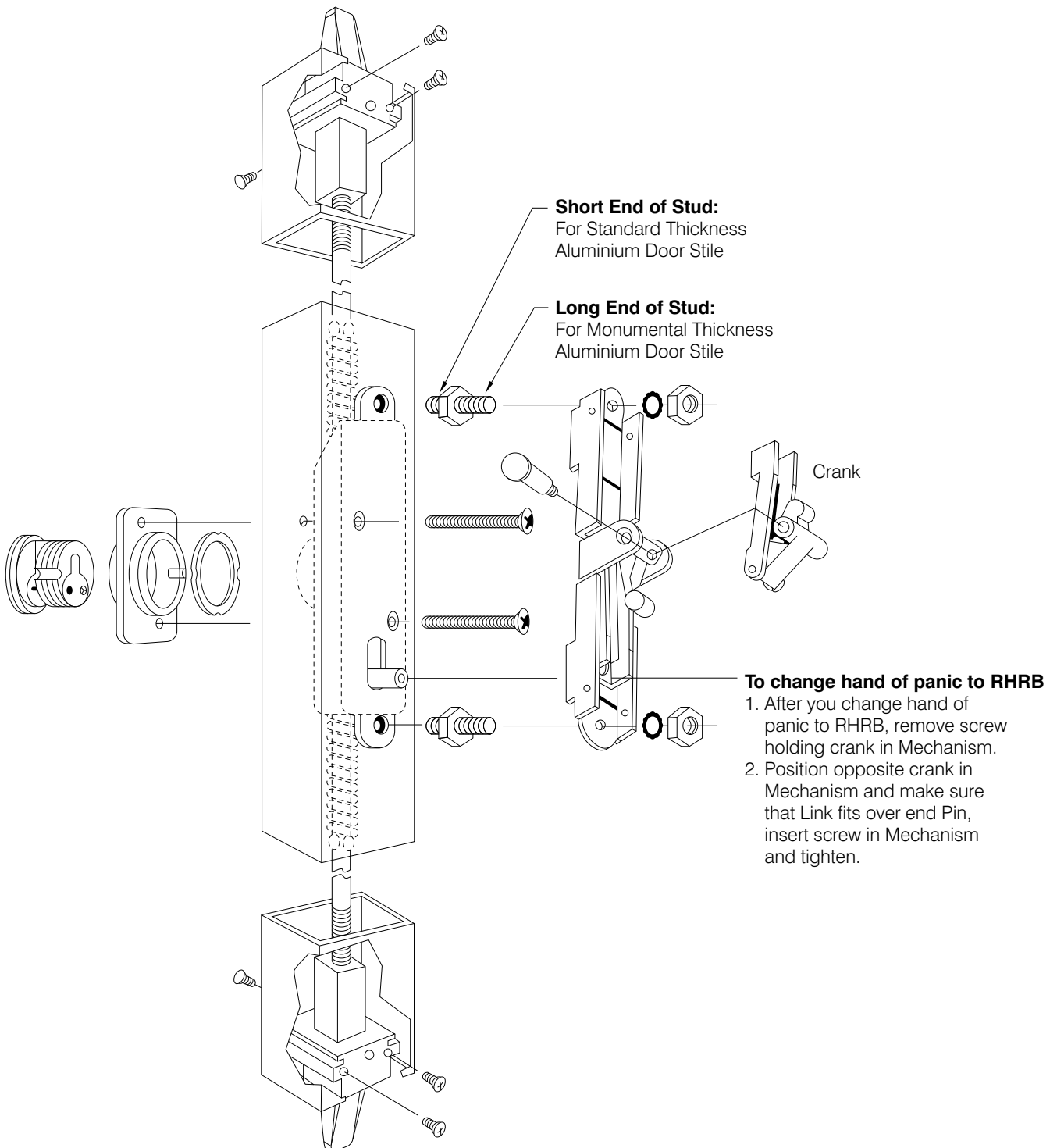
SCALE	NTS @A4
DATE	MARCH 2014
For scaled technical or CAD drawings, please contact AXIM.	

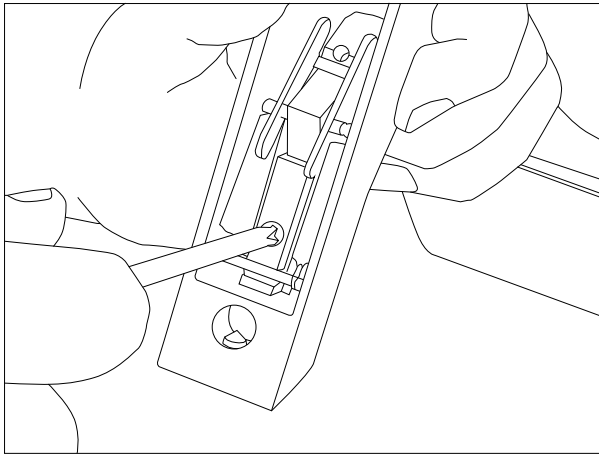


**THE PARKSIDE GROUP LTD**

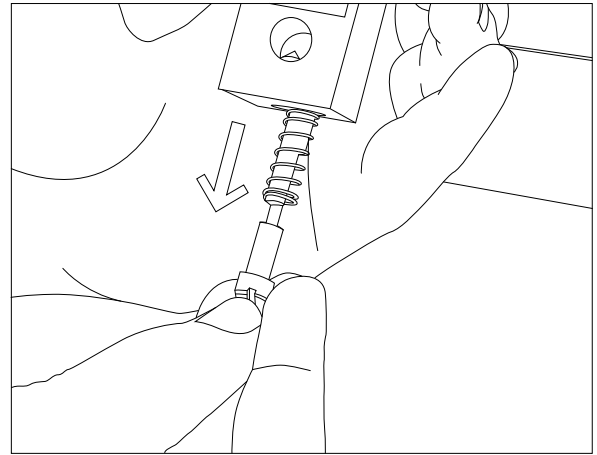
UNIT 5, THE WILLOW CENTRE  
17 WILLOW LANE, MITCHAM, SURREY, CR4 4NX  
Tel: 020-8685 9685 Fax: 020-8646 5096  
Email: axim@parksidegrp.co.uk  
Web Site: <http://www.axim.co.uk>

SCALE	NTS @A4
DATE	MARCH 2014
For scaled technical or CAD drawings, please contact AXIM.	

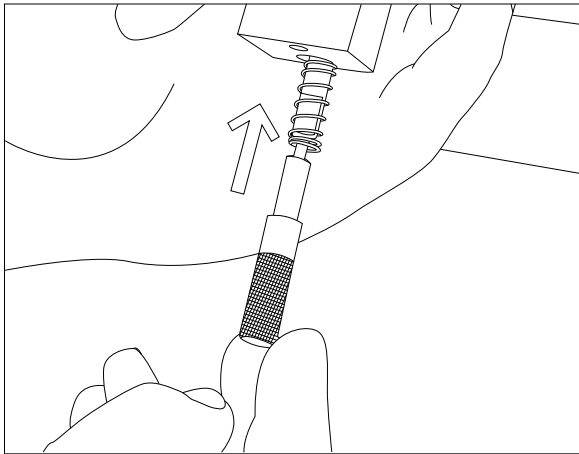




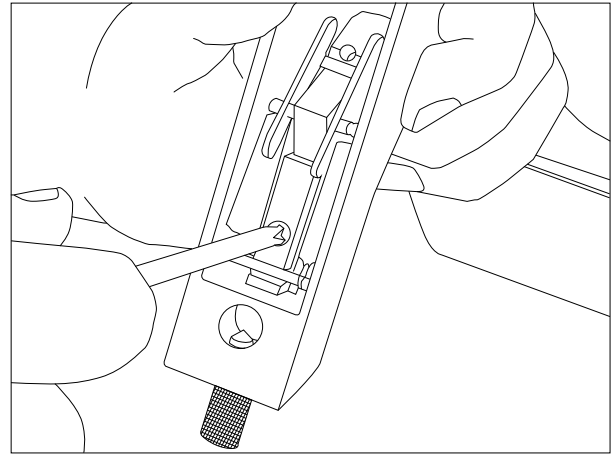
1) Remove securing screw in back of handle unit



2) Once securing screw is removed existing pin should be ejected by internal spring



3) Replace existing pin with knurled pin (retaining original spring)



4) Replace securing screw holding knurled pin in far enough that notch on dogging pin can locate on securing screw

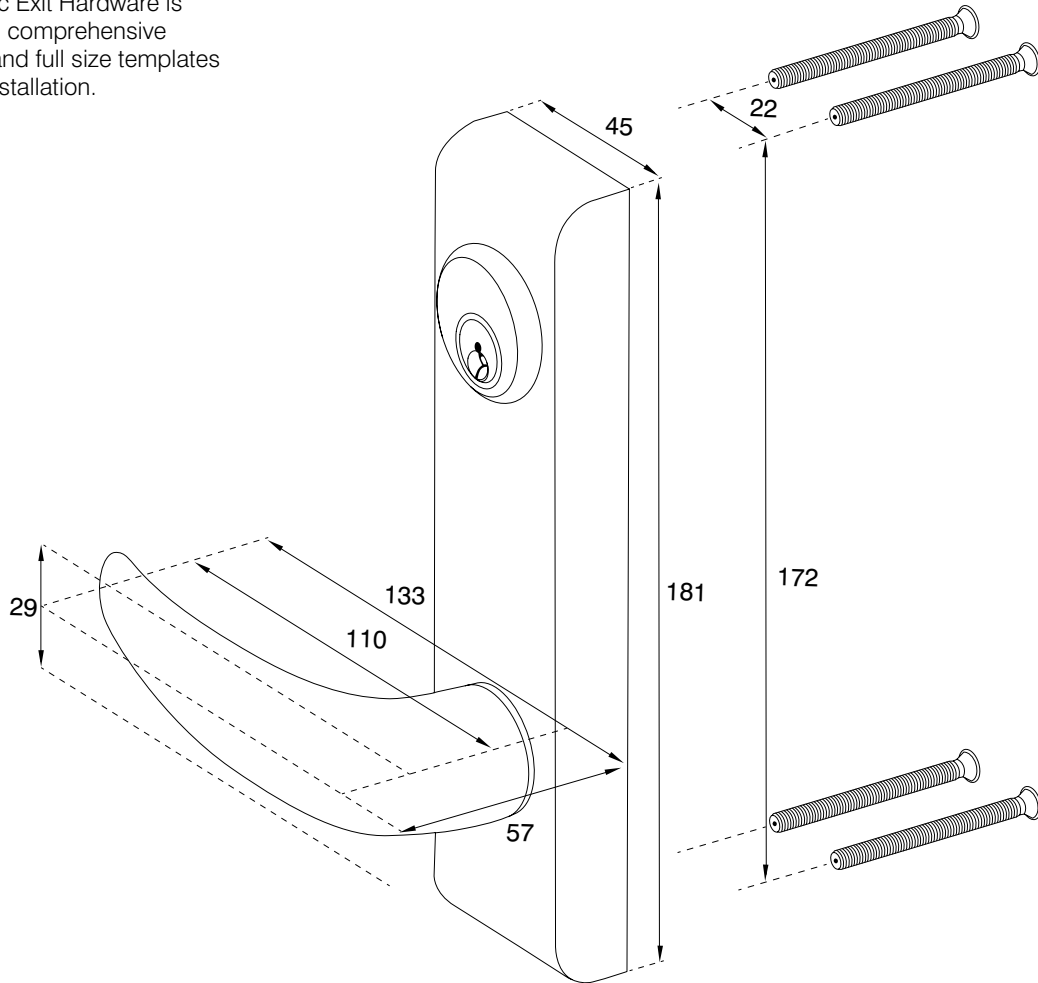
**LH-725 Locking handle**

Key Controlled Outside trim for use with PR7085, PR7085P, and PR7100 concealed rod Panic Devices.

Uses Axim screw in Mortice cylinder with MS type CAM.

Not handed. (Field reversible).

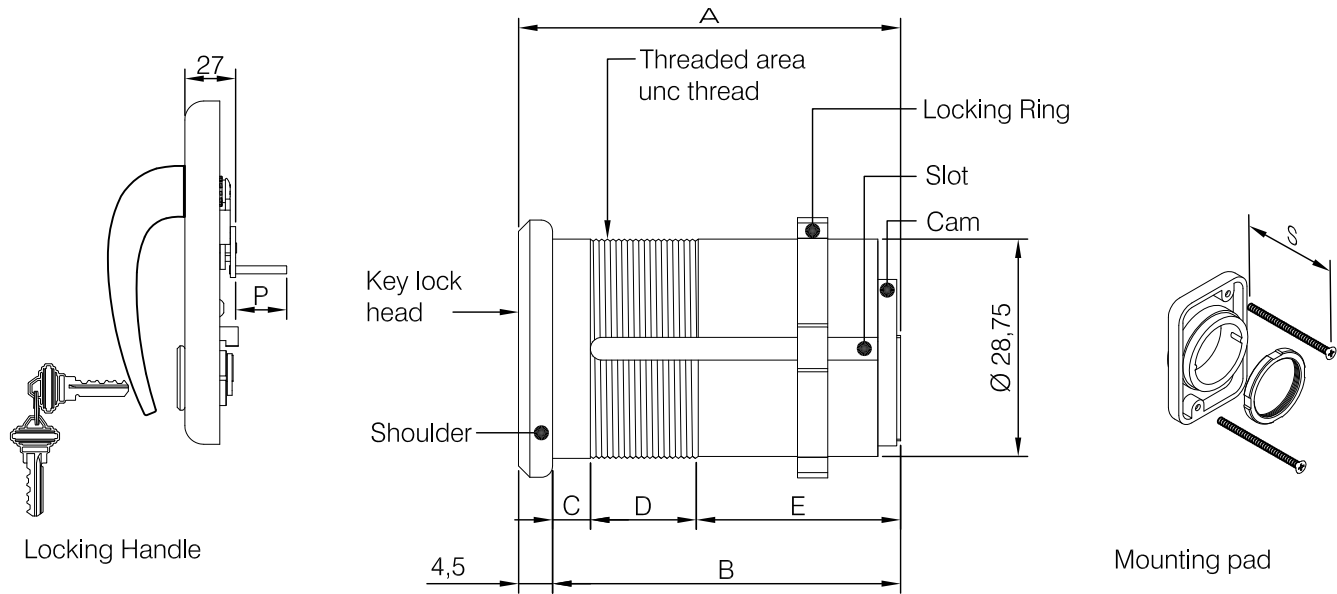
All Axim Panic Exit Hardware is supplied with comprehensive instructions and full size templates for ease of installation.



**THE PARKSIDE GROUP LTD**

UNIT 5, THE WILLOW CENTRE  
17 WILLOW LANE, MITCHAM, SURREY, CR4 4NX  
Tel: 020-8685 9685 Fax: 020-8646 5096  
Email: axim@parksidegrp.co.uk  
Web Site: <http://www.axim.co.uk>

SCALE	NTS @A4
DATE	MARCH 2014
For scaled technical or CAD drawings, please contact AXIM.	



Locking Handle	Pin Length	Rim Cylinder table details	Mounting Pads	Screw Length	
LH 725	P = 6 mm	RC - 785		MP786	S = 57 mm
		A = 29.5	46 mm Door stile		
		B = 25.0			
		C = 7.0			
		D = 12.0			
E = 6.0					
LH - 730	P = 9 mm	RC - 787		MP788	S = 65 mm
		A = 32.5	49 mm Door stile		
		B = 28.6			
		C = 5.0			
		D = 13.0			
E = 10.0					
LH - 740	P = 14 mm	RC - 789		MP790	S = 65 mm
		A = 37.5	54 mm Door stile		
		B = 33.6			
		C = 7.0			
		D = 21.0			
E = 5.0					
LH - 745	P = 27 mm	RC - 791		MP792	S = 90 mm
		A = 53.5	67 mm Door stile		
		B = 49.0			
		C = 5.0			
		D = 14.0			
E = 27.0					



**THE PARKSIDE GROUP LTD**

UNIT 5, THE WILLOW CENTRE  
 17 WILLOW LANE, MITCHAM, SURREY, CR4 4NX  
 Tel: 020-8685 9685 Fax: 020-8646 5096  
 Email: axim@parksidegroup.co.uk  
 Web Site: http://www.axim.co.uk

SCALE	NTS @ A4
DATE	JULY 2015

For scaled technical or CAD drawings, please contact AXIM