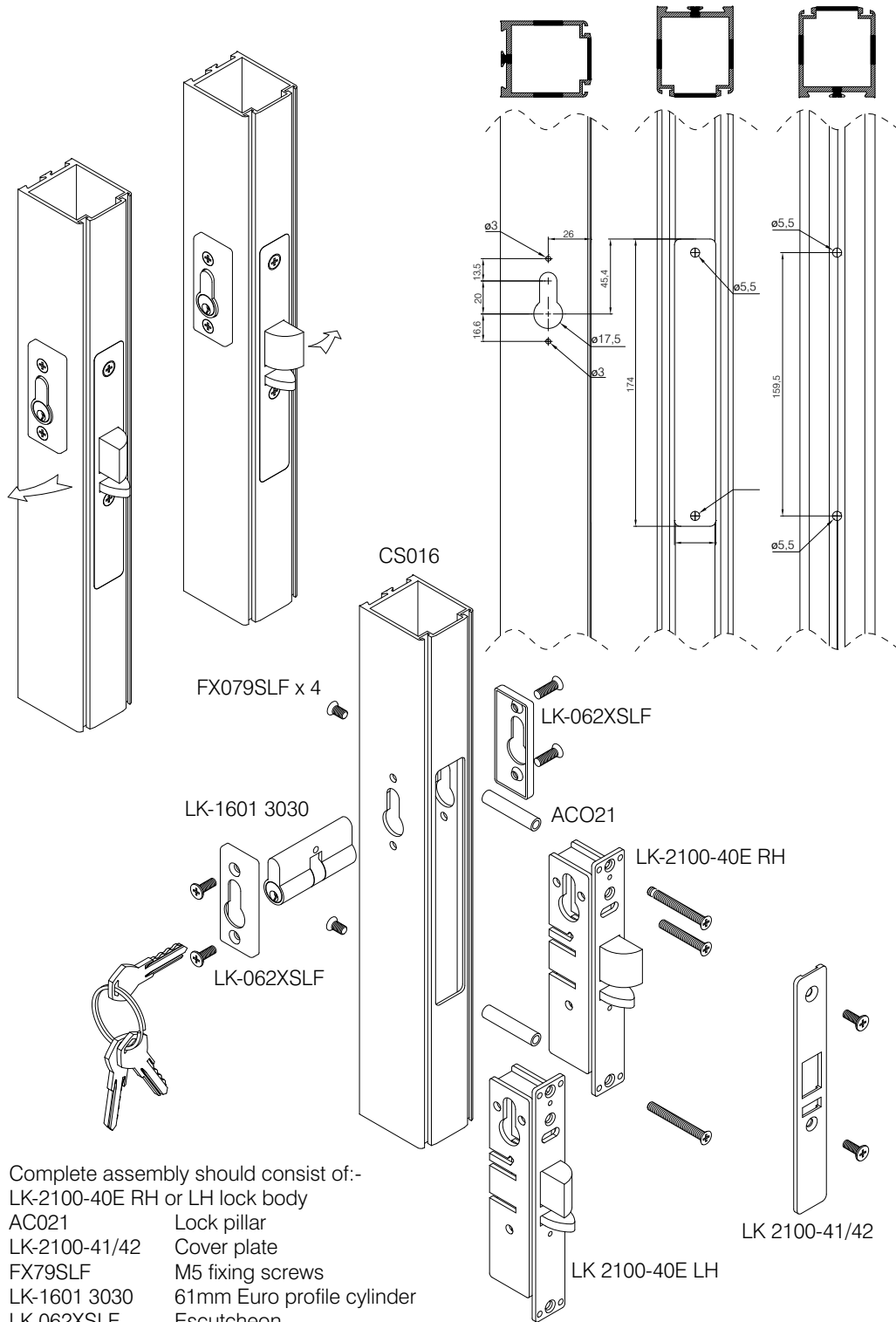


THE PARKSIDE GROUP LTD

UNIT 5, THE WILLOW CENTRE
 17 WILLOW LANE, MITCHAM, SURREY, CR4 4NX
 Tel: 020-8685 9685 Fax: 020-8646 5096
 Email: axim@parksidegrp.co.uk
 Web Site: <http://www.axim.co.uk>

SCALE	NTS @A4
DATE	MARCH 2014
For scaled technical or CAD drawings, please contact AXIM.	



Complete assembly should consist of:-
 LK-2100-40E RH or LH lock body
 AC021 Lock pillar
 LK-2100-41/42 Cover plate
 FX79SLF M5 fixing screws
 LK-1601 3030 61mm Euro profile cylinder
 LK-062XSLF Escutcheon

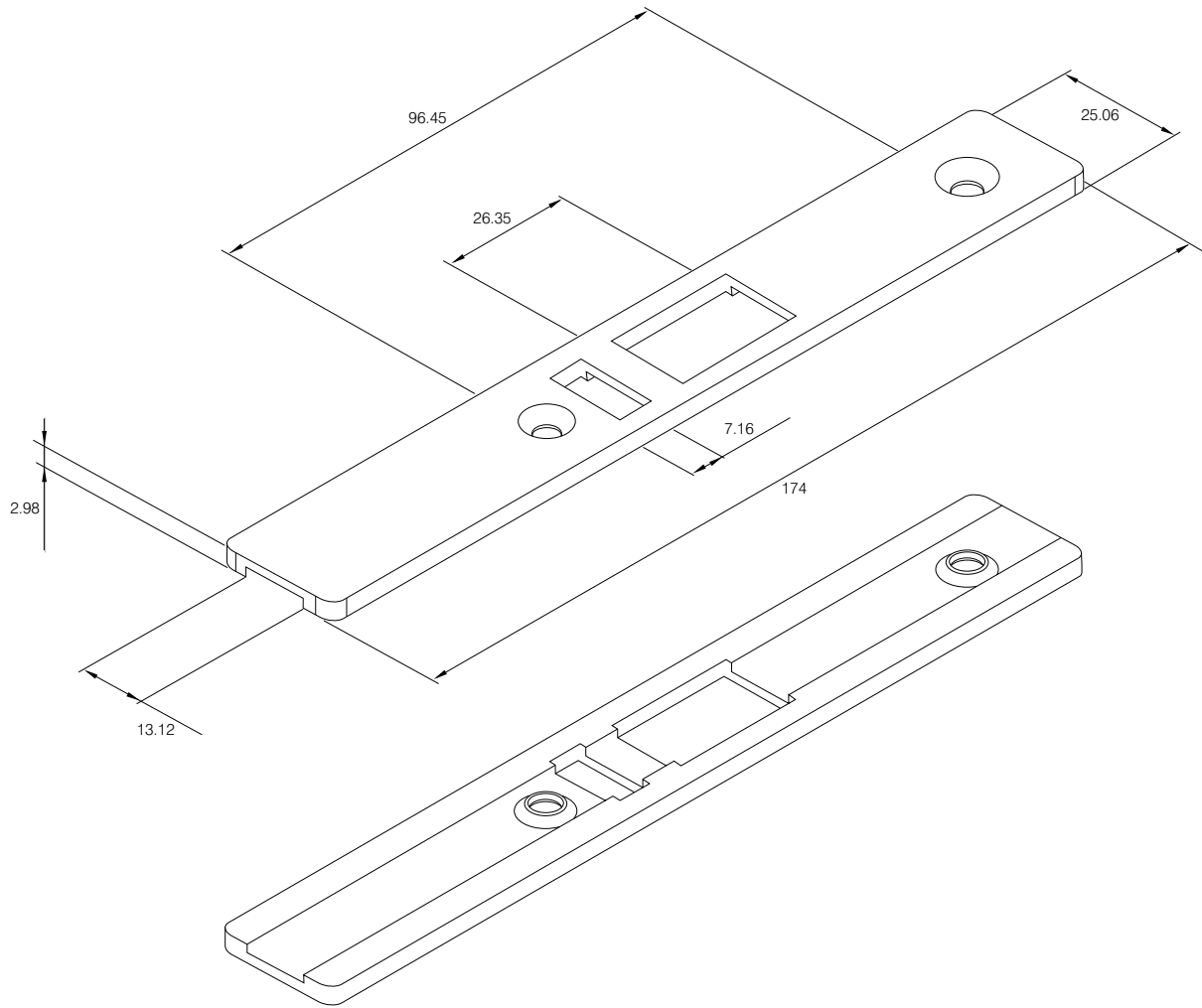


THE PARKSIDE GROUP LTD

UNIT 5, THE WILLOW CENTRE
 17 WILLOW LANE, MITCHAM, SURREY, CR4 4NX
 Tel: 020-8685 9685 Fax: 020-8646 5096
 Email: axim@parksidegrp.co.uk
 Web Site: <http://www.axim.co.uk>

SCALE	NTS @A4
DATE	MARCH 2014
For scaled technical or CAD drawings, please contact AXIM.	

TITLE	DEADLATCH FACE PLATE LK-2100 SERIES	SHEET No. 7:7
SUB TITLE	FACE PLATE LK-2100-41/42	



THE PARKSIDE GROUP LTD

UNIT 5, THE WILLOW CENTRE
17 WILLOW LANE, MITCHAM, SURREY, CR4 4NX
Tel: 020-8685 9685 Fax: 020-8646 5096
Email: axim@parksidegrp.co.uk
Web Site: <http://www.axim.co.uk>

SCALE	NTS @A4
DATE	MARCH 2014
For scaled technical or CAD drawings, please contact AXIM.	