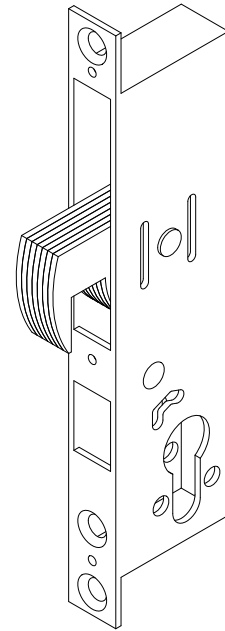
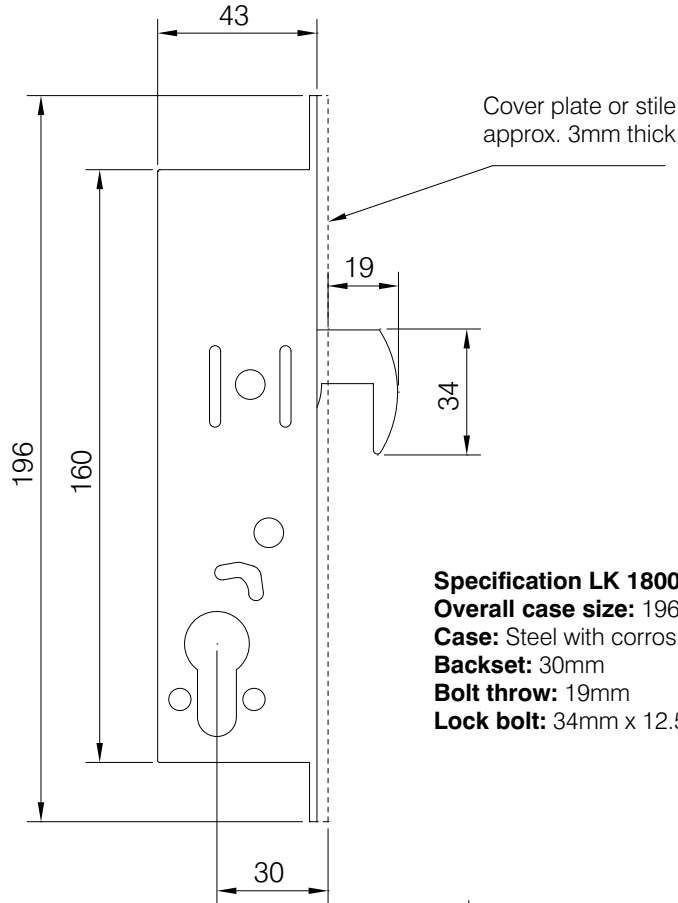
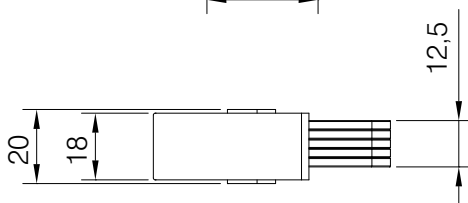


**LK-1800-30**  
Mortice hook lock  
30mm backset



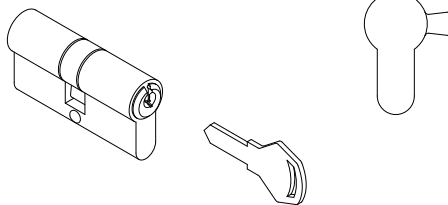
**Specification LK 1800-30**  
**Overall case size:** 196mm x 18mm x 43mm  
**Case:** Steel with corrosion resistant plating  
**Backset:** 30mm  
**Bolt throw:** 19mm  
**Lock bolt:** 34mm x 12.5mm



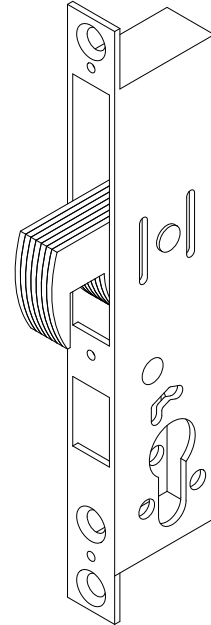
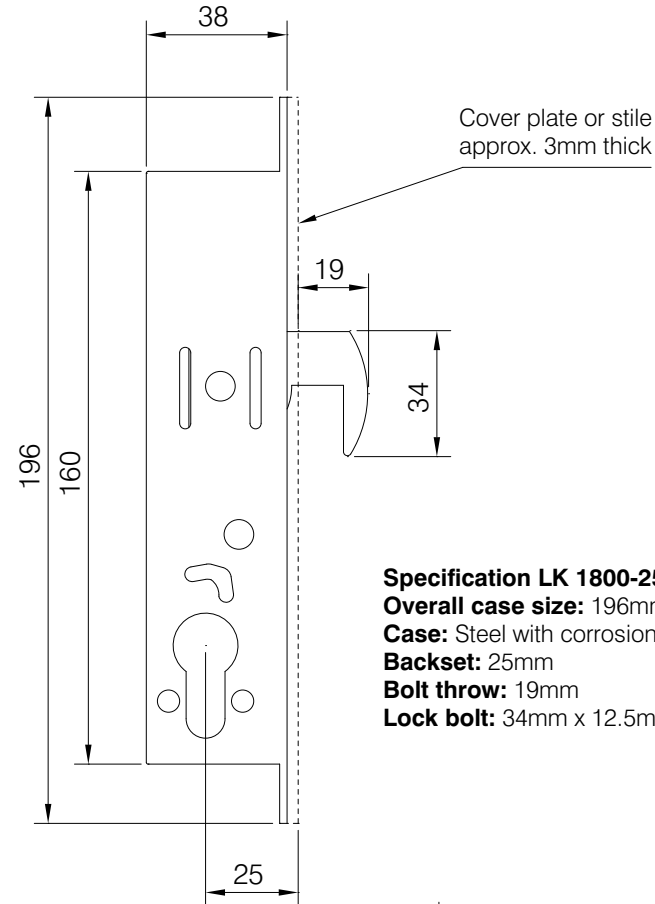
**Faceplates**  
**LK-1801-OF** Flat no woolpile  
**LK-1801-OR** Radius no woolpile  
**LK-1801-IR** Radius with woolpile

**Cylinders**  
**LK-1601-3030 KD** Keyed to differ  
**LK-1601-3030 KA** Keyed alike  
**LK-1601-3030 KA2** Keyed alike in pairs

Note: See AXIM price list for alternative cylinders and finishes



**LK-1800-25**  
Mortice hook lock  
25mm backset



**Specification LK 1800-25**

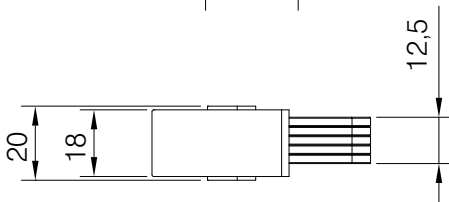
**Overall case size:** 196mm x 18mm x 38mm

**Case:** Steel with corrosion resistant plating

**Backset:** 25mm

**Bolt throw:** 19mm

**Lock bolt:** 34mm x 12.5mm



**Faceplates**

**LK-1801-OF**

**LK-1801-OR**

**LK-1801-IR**

Flat no woolpile

Radius no woolpile

Radius with woolpile

**Cylinders**

**LK-1601-3030 KD**

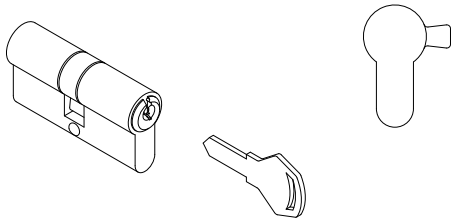
**LK-1601-3030 KA**

**LK-1601-3030 KA2**

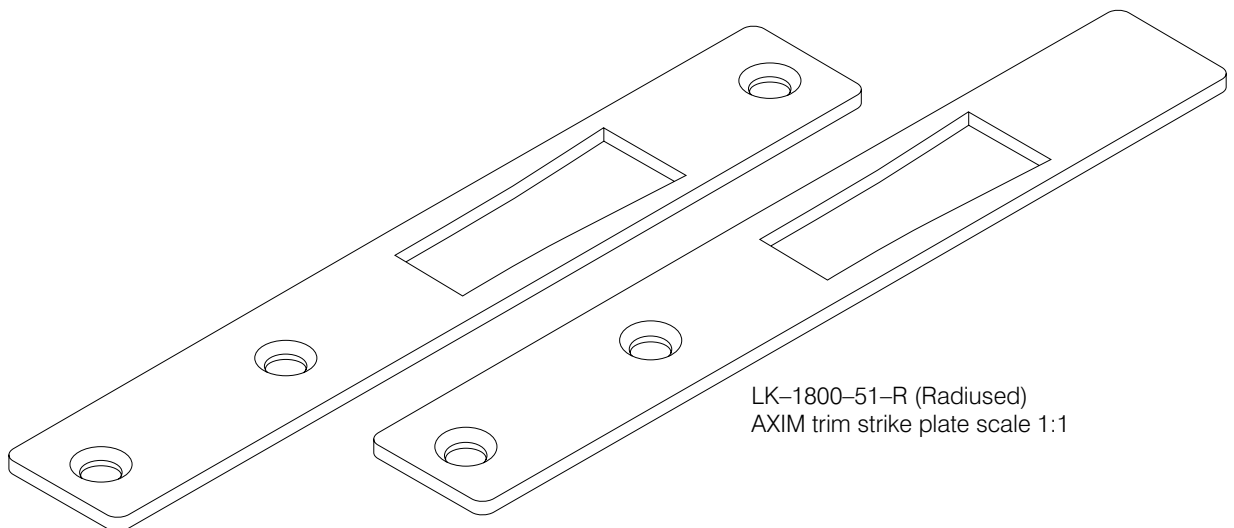
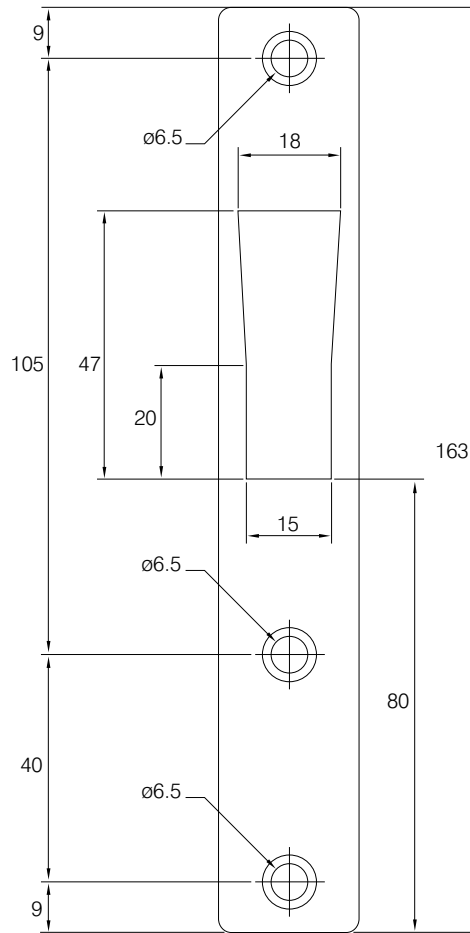
Keyed to differ

Keyed alike

Keyed alike in pairs



Note: See AXIM price list for alternative cylinders and finishes



LK-1800-51-F (Flat)  
AXIM trim strike plate scale 1:1

LK-1800-51-R (Radiused)  
AXIM trim strike plate scale 1:1

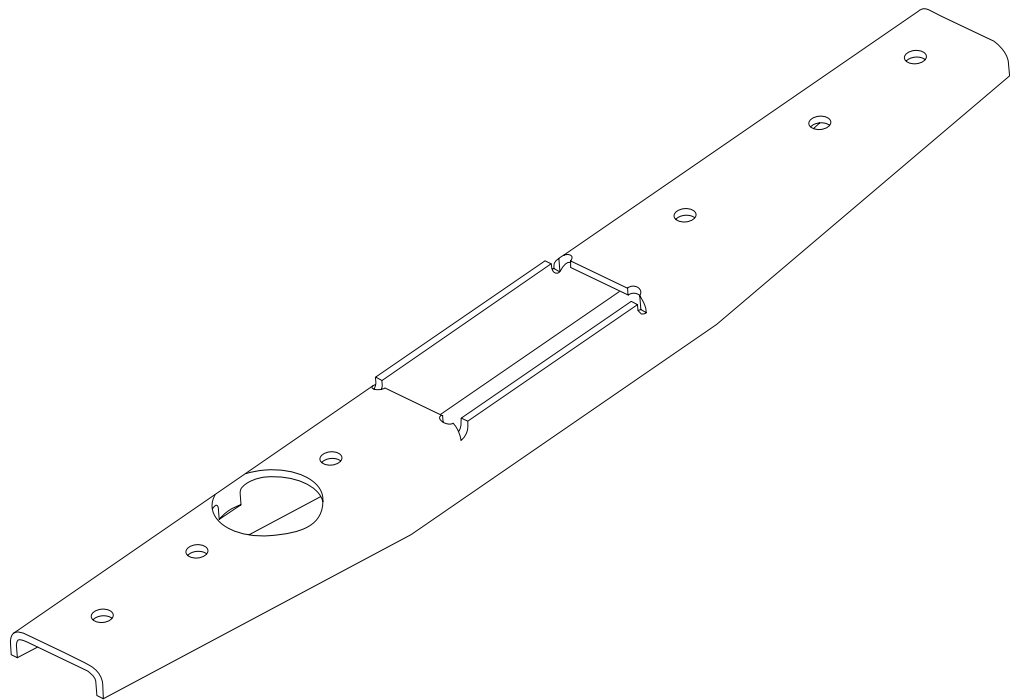
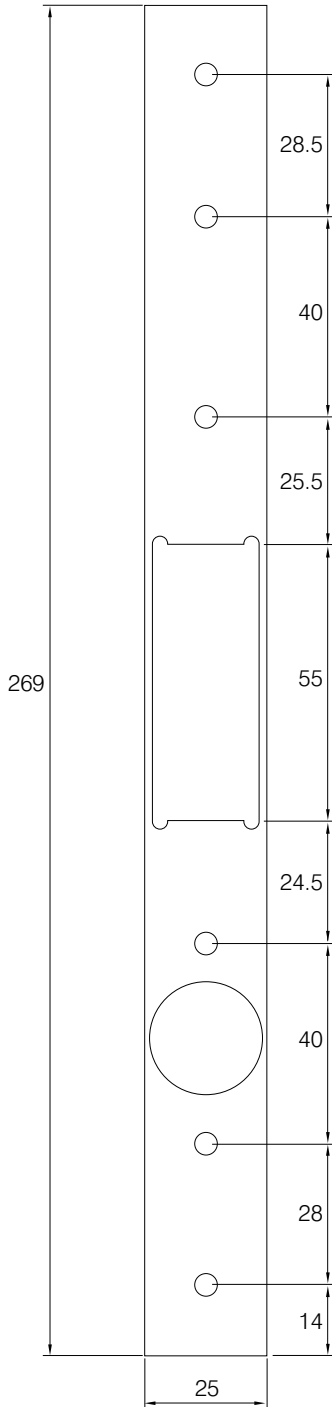


**THE PARKSIDE GROUP LTD**

UNIT 5, THE WILLOW CENTRE  
17 WILLOW LANE, MITCHAM, SURREY, CR4 4NX  
Tel: 020-8685 9685 Fax: 020-8646 5096  
Email: axim@parksidgrp.co.uk  
Web Site: <http://www.axim.co.uk>

SCALE	NTS @A4
DATE	MARCH 2014
For scaled technical or CAD drawings, please contact AXIM.	

TITLE	<b>ESCUTCHEONS LK-1800 SERIES</b>	SHEET No. <b>7:4</b>
SUB TITLE	<b>ARMOURED STRIKE LK-1800-52</b>	



**THE PARKSIDE GROUP LTD**

UNIT 5, THE WILLOW CENTRE  
17 WILLOW LANE, MITCHAM, SURREY, CR4 4NX  
Tel: 020-8685 9685 Fax: 020-8646 5096  
Email: axim@parksidegrp.co.uk  
Web Site: <http://www.axim.co.uk>

SCALE	NTS @A4
DATE	MARCH 2014
For scaled technical or CAD drawings, please contact AXIM.	