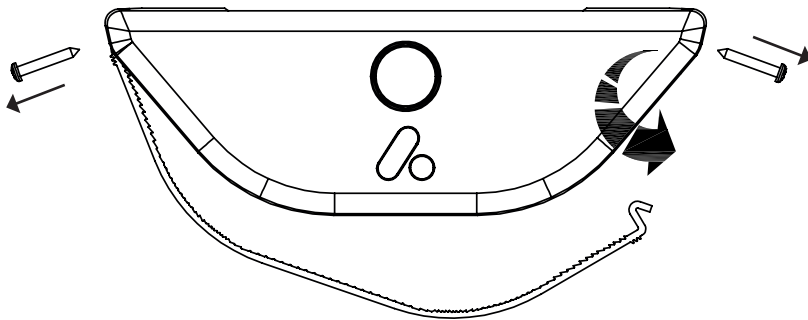
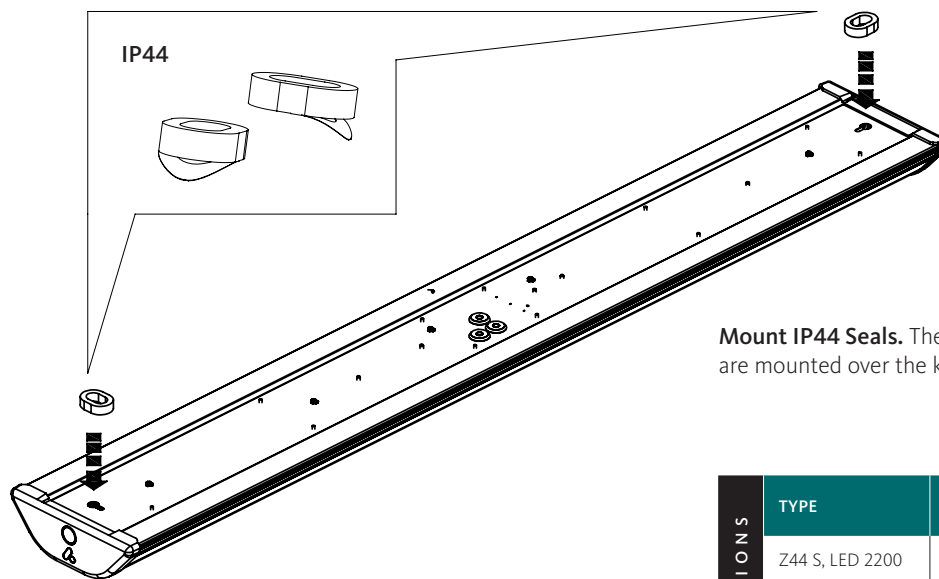


Z44 S

Installation manual



Disassemble the diffuser. Make sure the safety screws are removed (2x).



Mount IP44 Seals. The adhesive seals are mounted over the key holes.

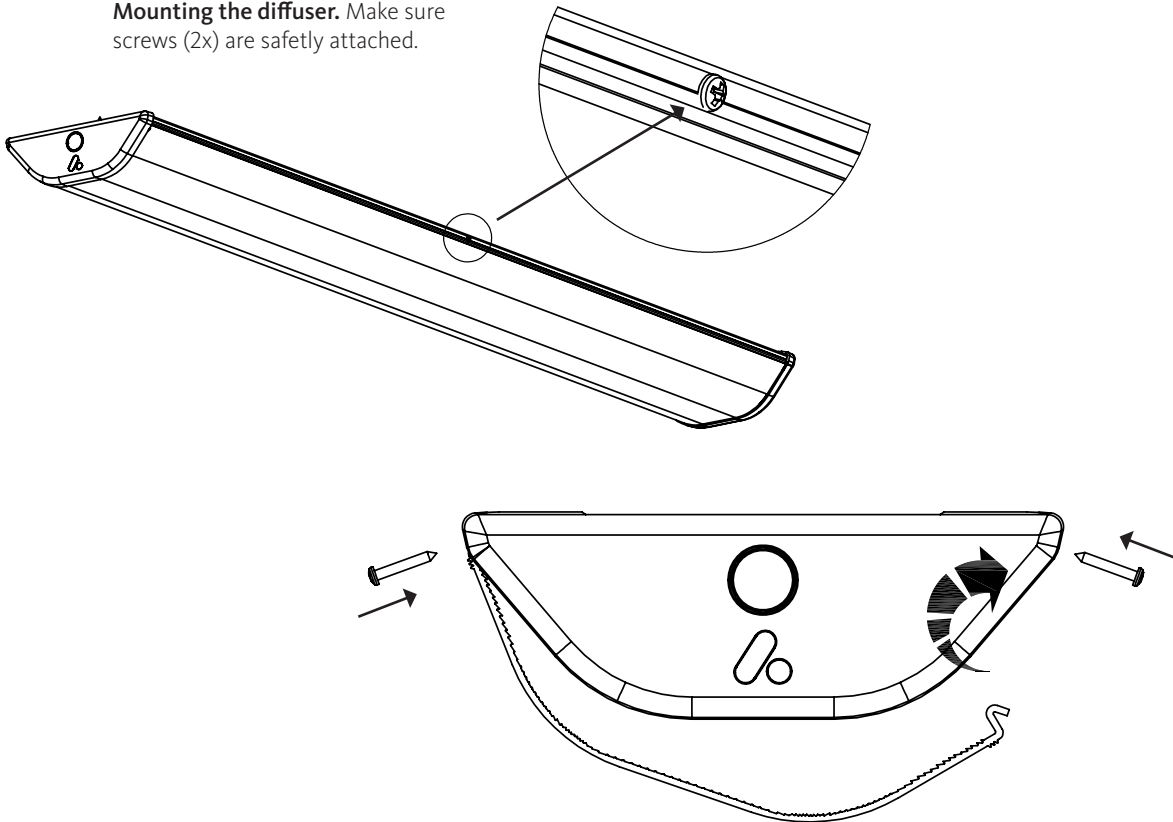
Mounting. Attach the luminaire with screw for the current surface. C/C according to the right. Perform electrical installation.

D I M E N S I O N S	TYPE	C-C (mm)
	Z44 S, LED 2200	500
	Z44 S, LED 2900	500
	Z44 S, LED 4500	1100
	Z44 S, LED 6900	1100
Z44 S, LED 7400	1400	

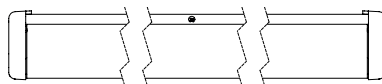
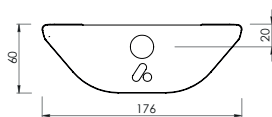


↑ Screw (2x) max Ø5 mm.

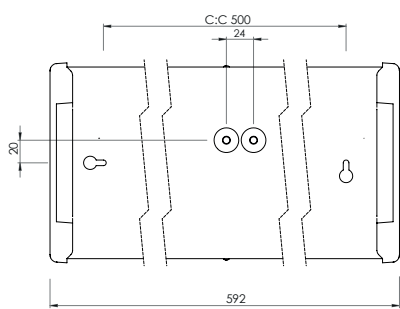
Mounting the diffuser. Make sure screws (2x) are safely attached.



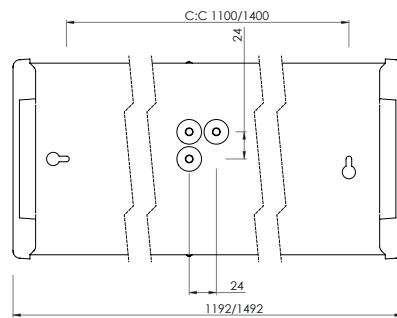
Dimensions



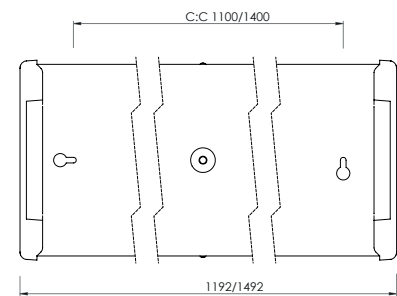
The light source contained in this luminaire shall only be replaced by the manufacturer or his service agent or a similar qualified person.



600 mm standard



1200/1500 mm standard



1200/1500 mm with through wiring