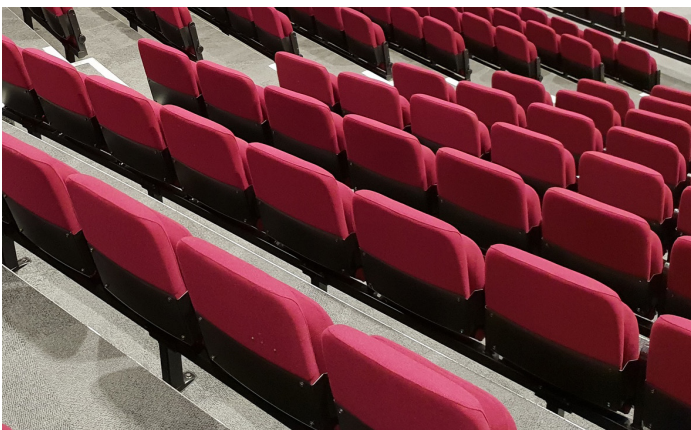
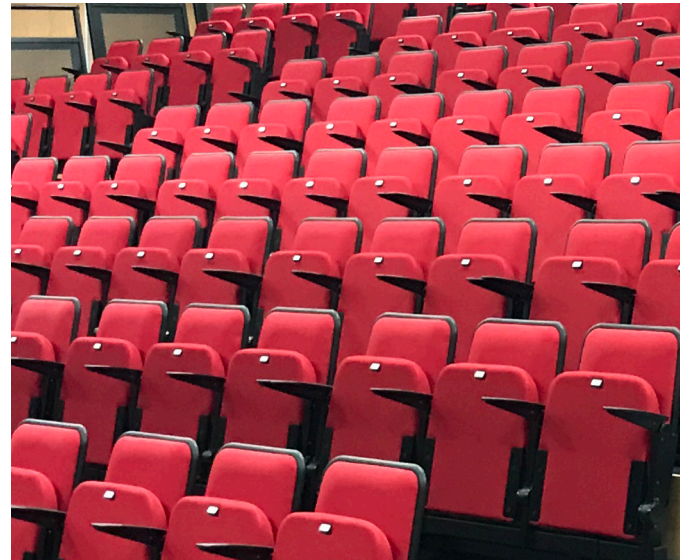


Technical data sheet - Accolade



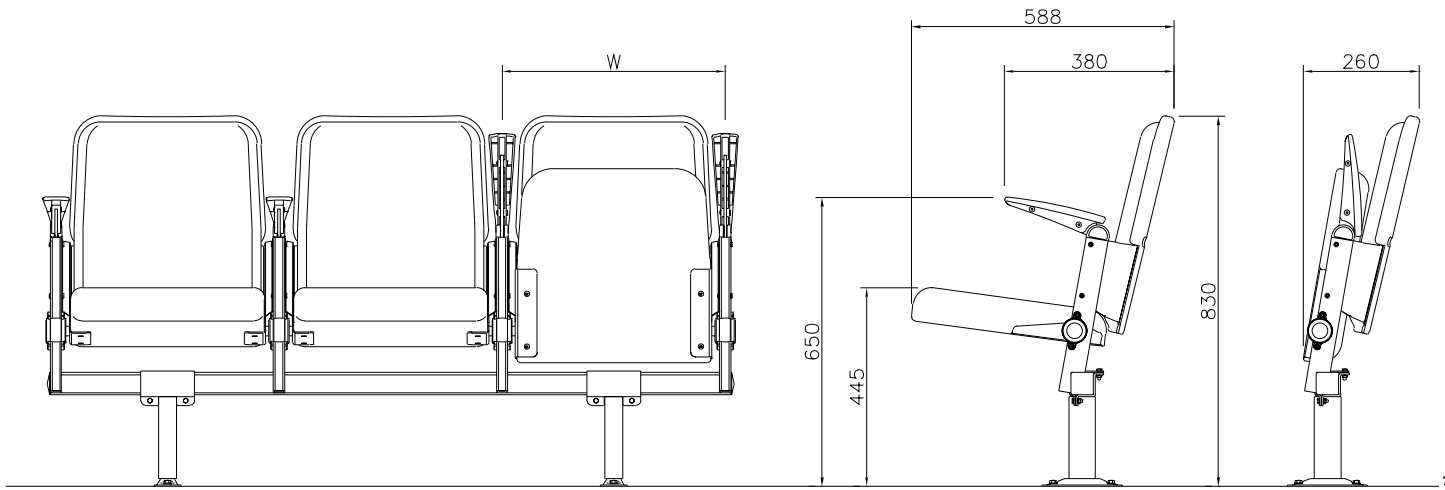
Description

A multipurpose upholstered chair suitable for use in schools, studio theatres and arenas, the Accolade offers comfort, durability and style. Tested to the highest European strength standards, Accolade also has optional protection panels for the outer back and seat pan, making it suitable for the most demanding environments.

Features

- Designed for comfort with good lumbar support
- Tested and certified to the highest level of the strength standard BS EN 12727(2000) - Grade 4
- Slim profile with enclosed spring-tip mechanism
- Ideal for stand alone applications, or for use on TX platform systems; the armrests automatically fold away as the chair folds down on to the platform
- Optional plastic protection panels for outer back and seat pan.
- Optional armrest in ABS, timber, or timber with upholstered pad
- Optional thick sprung seat pan for long term seated comfort
- Also suitable for use on an aluminium rail, which can be curved by up to 3 degrees - ideal for arena environments





Drawing shows beam mounted, tread fixed chair. Height measurements are taken at seat centre. All dimensions are nominal.

Seat widths

450, 460, 480, 500, 520mm

Note: 450mm width available for fully upholstered chairs only.

460mm width available for fully upholstered chair or chair with plastic protection panel to outer back.

Minimum width if plastic under seat panel is required = 480mm.

Fixing methods

Tread fixed, riser fixed, beam mounted (tread or riser fixed), fold-down (for TX Telescopic Platforms) or matrix (for flat floor configurations).

Specification

Seat

50mm polyurethane CMHR foam on 12mm plywood core, all fully upholstered in fabric to customer choice and availability.

Options

- Pocket sprung seat core in place of plywood core.
- Wraparound plastic under-seat panels in injection moulded polypropylene, colour black RAL 9005.

Backrest

45mm polyurethane fabricated CMHR foam on 12mm thick preformed plywood, upholstered.

Options:

- Wraparound plastic back panels in injection moulded polypropylene, colour black RAL 9005.

Chair frame

Fabricated steel construction with associated steel pressings for fixing seat and back. Finished in epoxy powder coat, black RAL 9005.

Chair rail (aluminium rail model only)

Extruded aluminium rail

Seat tip up mechanism

Innovative cast aluminium pivot. The seat pan automatically tips when not in use. Entire mechanism is housed in a protection cover for safety, preventing any possibility of finger entrapment.

Armrest

Optional armrest in injection moulded ABS, black RAL 9005, or solid timber.

Tube end plugs

Injection moulded polyethylene, black RAL 9005

Standards

Strength and stability

Satisfies the requirements of BS EN 12727:2000 Grade 4 (severe).

Flammability

Upholstery fabric and foam comply with BS 5852 1990 (sources BS EN 1021-1, 0; BS EN 1021-2, 1 and 5) or European or other standards as specified.

Accessories

- Seat numbers
- Aisle letters